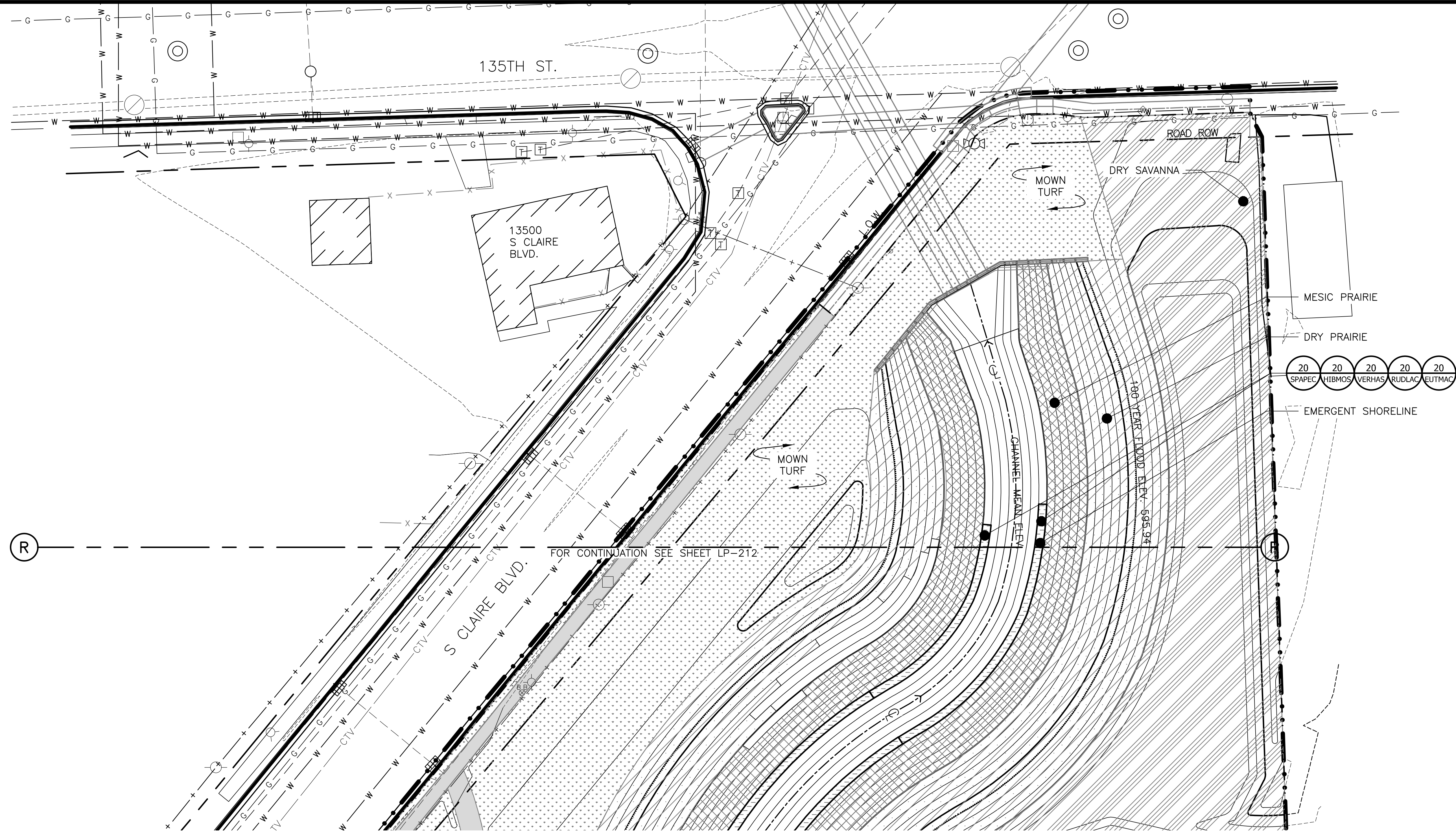


P:\16-105_Robbins Park - MWRD\04_CAD\14-253-3F\landscape\Sheets\14-253-BF\LP-214.dwg 1/17/2024 4:18 PM



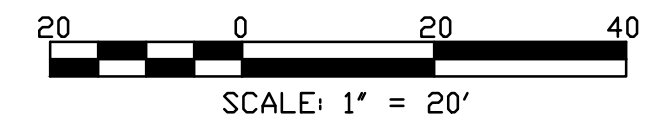
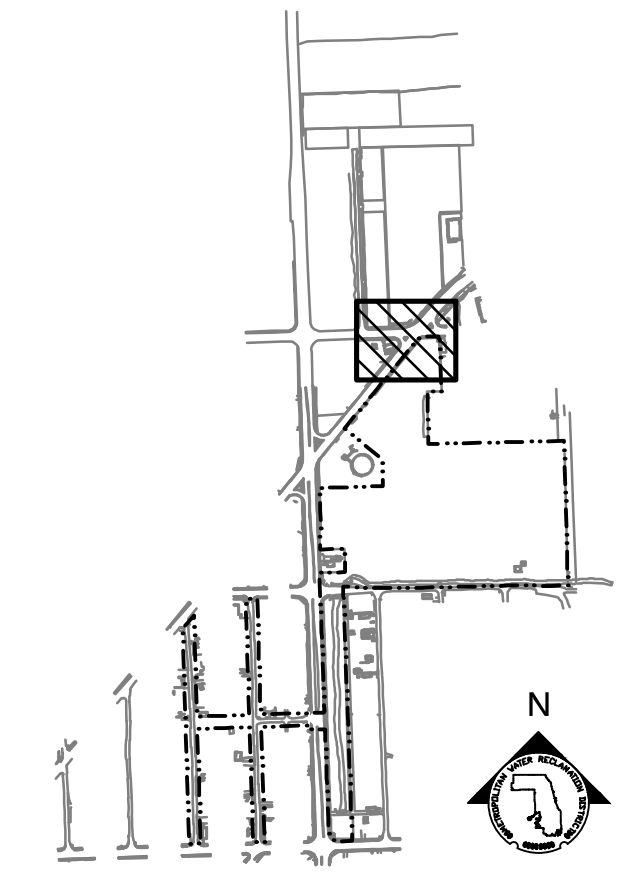
PARTIAL GROUNDPLANE PLANTING PLAN
SCALE = 1"=20'

PLANTING NOTES:

1. REFERENCE NOTES ON LANDSCAPE DRAWING LP-101
2. FOR PLANTING SCHEDULES, REFERENCE DRAWINGS LP-222 & LP-223.

LEGEND:

- L.O.W. --- LIMIT OF WORK
- WOUS --- WATERS OF UNITED STATES
- CHANNEL MEAN ELEV.
- 100 YR FLOOD ELEV.
- (600) --- EXISTING CONTOUR
- 600 --- PROPOSED CONTOUR
- GUARDRAIL
- /// DREDGE CHANNEL
- SIDEWALK, SEE LM SERIES FOR MATERIALS/FINISHES
- RIP RAP
- EXPOSED BEDROCK
- EMERGENT SHORELINE PLUG MIX
- DRY PRAIRIE SEED MIX
- RIPARIAN WETLAND SEED MIX
- MESIC PRAIRIE SEED MIX
- DRY SAVANNA SEED MIX
- MOWN TURF PATH/LANDING



Rev.	Description	Appr.	Date

METROPOLITAN WATER RECLAMATION DISTRICT OF GREATER CHICAGO

CONTRACT 14-253-5F
FLOOD CONTROL PROJECT ON
MIDLOTHIAN CREEK IN ROBBINS, CSA
LITTLE CALUMET RIVER WATERSHED
PARTIAL PLANTING PLAN

Designed by: LH
Checked by: LH
Drawn by: LH
Reviewed by: LH
Date: FEB 2024
Scale: AS SHOWN

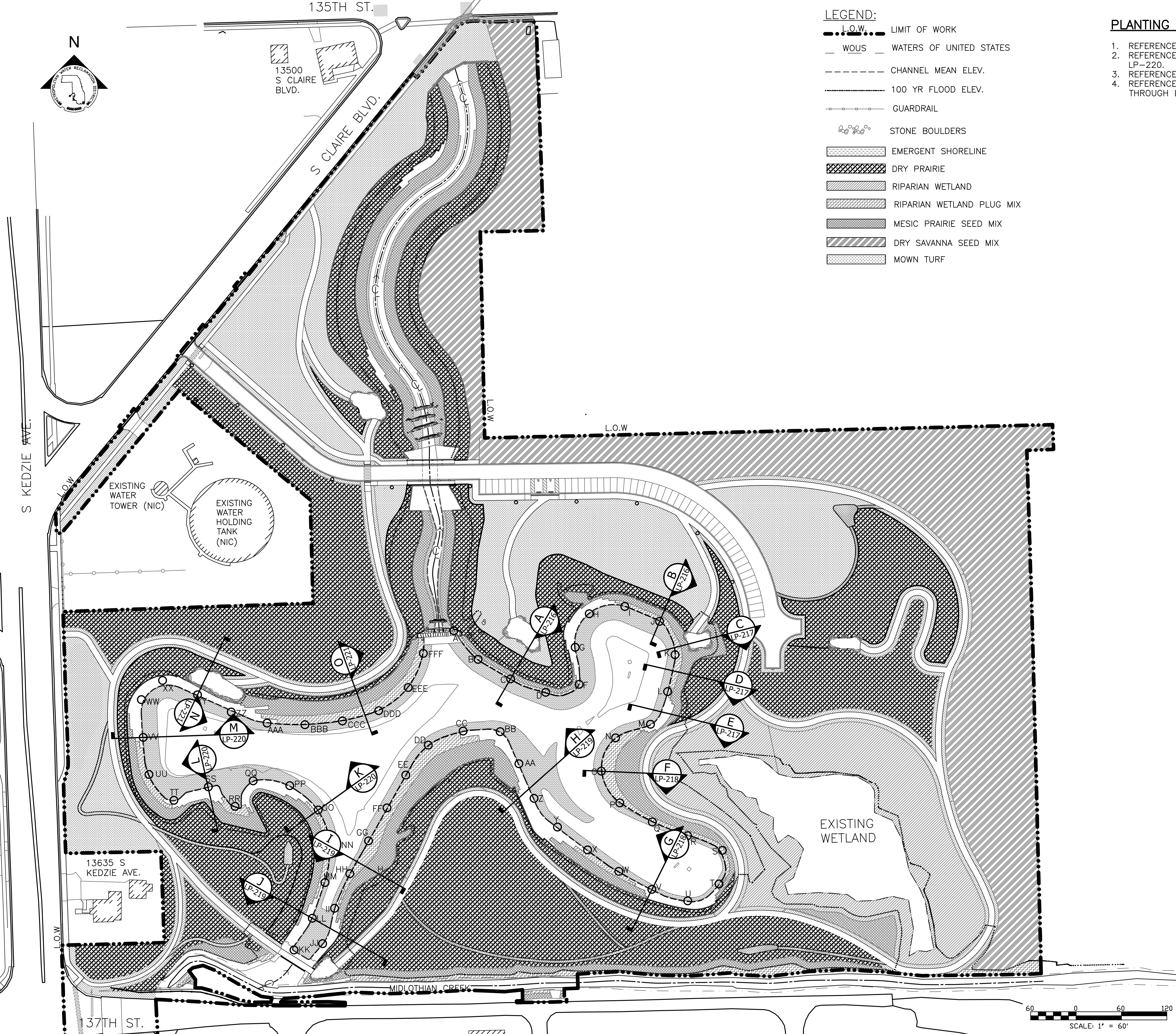
Donohue
Accurate
Engineering & Associates, Inc.
Consulting Engineers

LIVING HABITATS

CONTRACT 14-253-5F
FLOOD CONTROL PROJECT ON
MIDLOTHIAN CREEK IN ROBBINS, CSA
LITTLE CALUMET RIVER WATERSHED
PARTIAL PLANTING PLAN

Sheet Number:
LP-214
Page Number: 168

PLOT DATE: 2/7/2024 2:53 PM PLOTTED BY: HANNAH CUSICK
 P:\16-105_Robbins Park - MWRD\04_CAD\14-253-3F\landscape\Sheets\14-253-BF\LP-215.dwg 1/29/2024 3:30 PM



- LEGEND:**
- L.O.W. --- LIMIT OF WORK
 - W.O.U.S. --- WATERS OF UNITED STATES
 - CHANNEL MEAN ELEV.
 - 100 YR FLOOD ELEV.
 - GUARDRAIL
 - ○ ○ ○ ○ STONE BOULDERS
 - ▨ EMERGENT SHORELINE
 - ▩ DRY PRAIRIE
 - ▧ RIPARIAN WETLAND
 - ▦ RIPARIAN WETLAND PLUG MIX
 - ▥ MESIC PRAIRIE SEED MIX
 - ▤ DRY SAVANNA SEED MIX
 - ▣ MOWN TURF

- PLANTING NOTES:**
1. REFERENCE NOTES ON PLANTING DRAWING LP-101.
 2. REFERENCE SHORELINE CROSS SECTIONS ON LP-215 THROUGH LP-220.
 3. REFERENCE PLANTING SCHEDULES ON LP-222 AND LP-223.
 4. REFERENCE SHORELINE PLUG ENLARGEMENT PLANS ON LP-203 THROUGH LP-213.

Rev.	Description	Appr.	Date

METROPOLITAN WATER RECLAMATION DISTRICT OF GREATER CHICAGO

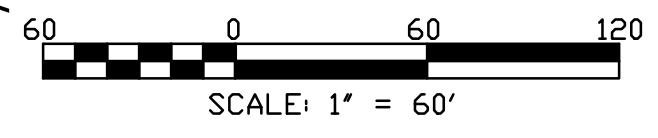
CONTRACT 14-253-5F
 FLOOD CONTROL PROJECT ON
 MIDLOTHIAN CREEK IN ROBBINS, CSA
 LITTLE CALUMET RIVER WATERSHED
SHORELINE SECTION PLAN

Designed by: LH
 Checked by: LH
 Drawn by: LH
 Reviewed by: LH
 Date: FEB 2024
 Scale: AS SHOWN

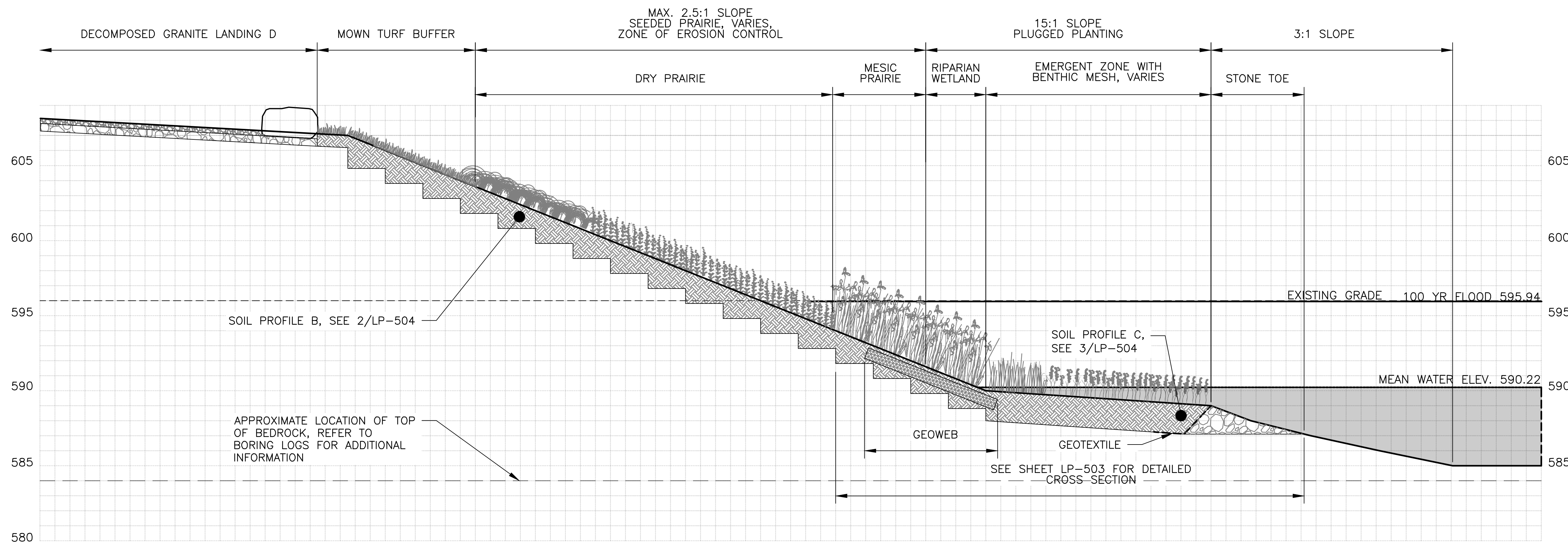
Donohue
 Accurate
 O'Brien & Associates, Inc.
 CONSULTING ENGINEERS

LIVING HABITATS

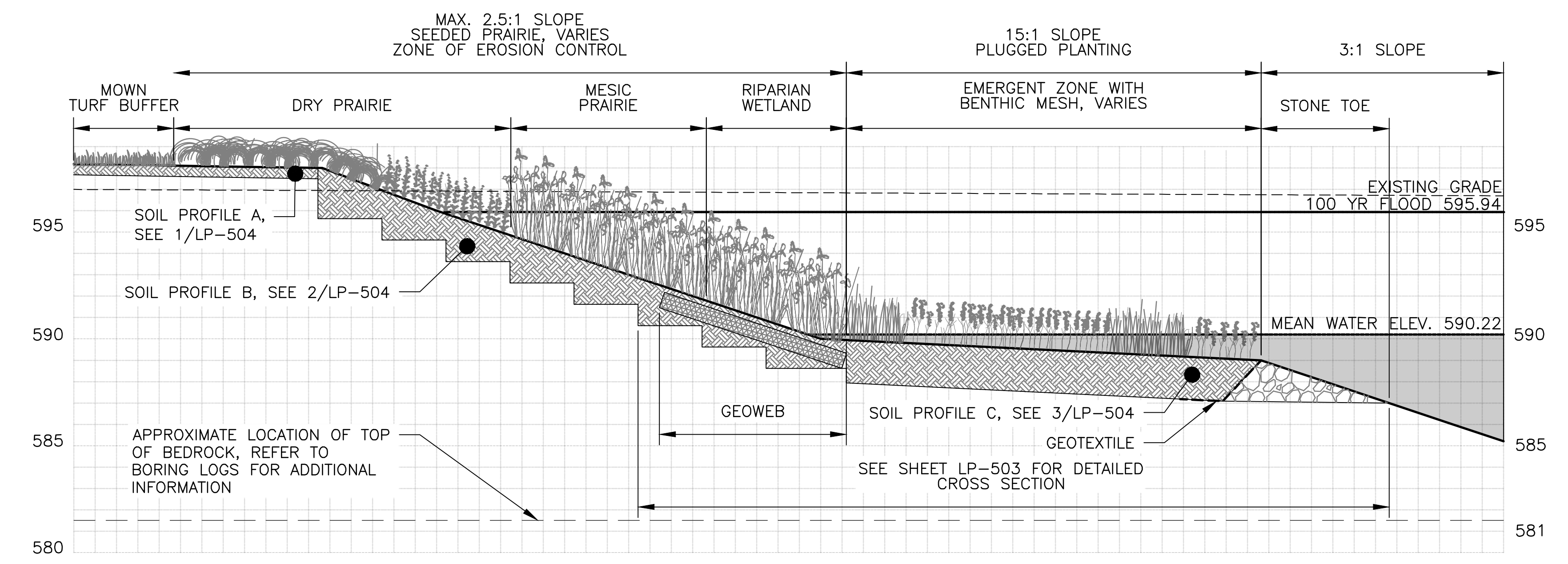
Sheet Number:
LP-215
 Page Number: 169



P:\16-105_Robbins Park - MWRD\04_CAD\14-253-3F\Landscape\Sheets\14-253-BF\LP-216.dwg 1/2/2024 11:40 AM
 PLOT DATE: 2/7/2024 2:54 PM PLOTTED BY: HANNAH CUSICK



A SECTION A (APPROXIMATE CONDITIONS REACH A TO H)
 SCALE: 1" = 4'-0"



B SECTION B (APPROXIMATE CONDITIONS REACH H TO MIDPOINT J-K)
 SCALE: 1" = 4'-0"

LEGEND:
 - - - - - CHANNEL MEAN ELEV.
 - - - - - 100 YR FLOOD ELEV.

PLANTING NOTES:
 1. REFERENCE NOTES ON PLANTING DRAWING LP-101.

Rev.	Description	Appr.	Date

METROPOLITAN WATER RECLAMATION DISTRICT
 OF GREATER CHICAGO

Designed by: LH
 Checked by: LH

Drawn by: LH
 Reviewed by: LH

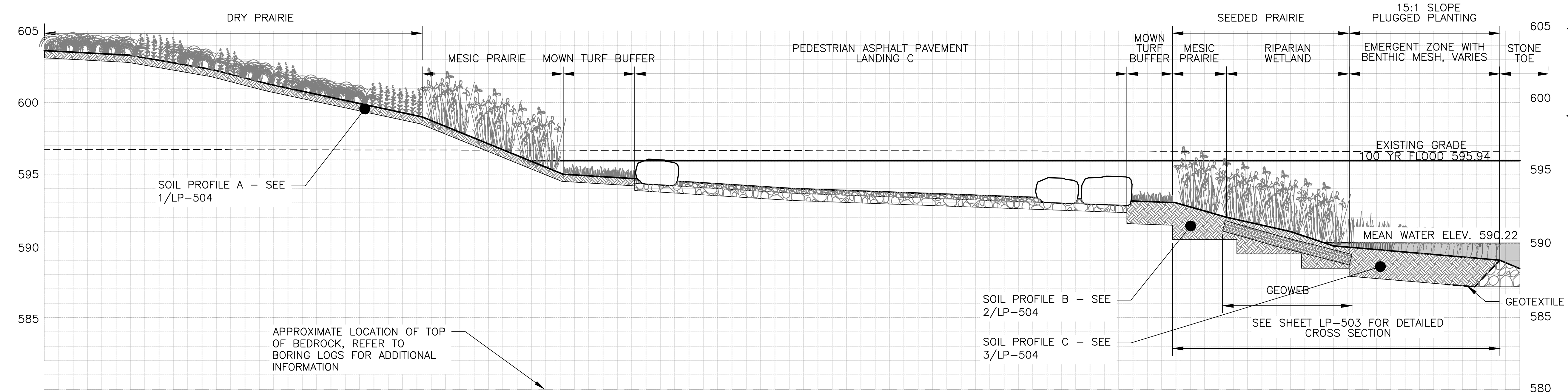
Date: FEB 2024
 Scale: AS SHOWN

DONOHUE
 Accurate
 O'NEILL & ASSOCIATES, INC.
 CONSULTING ENGINEERS

LIVING HABITATS

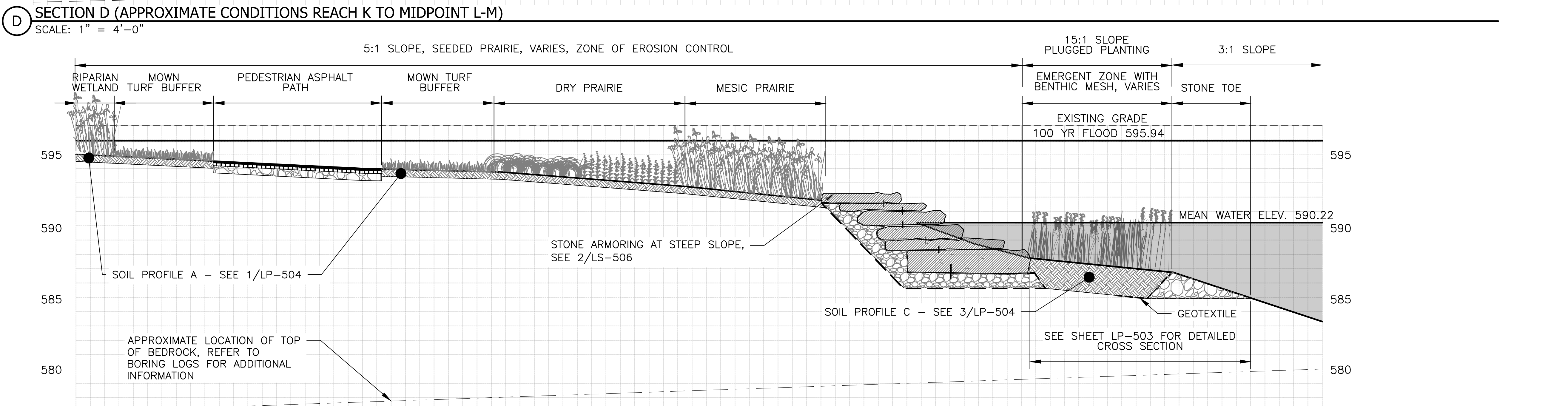
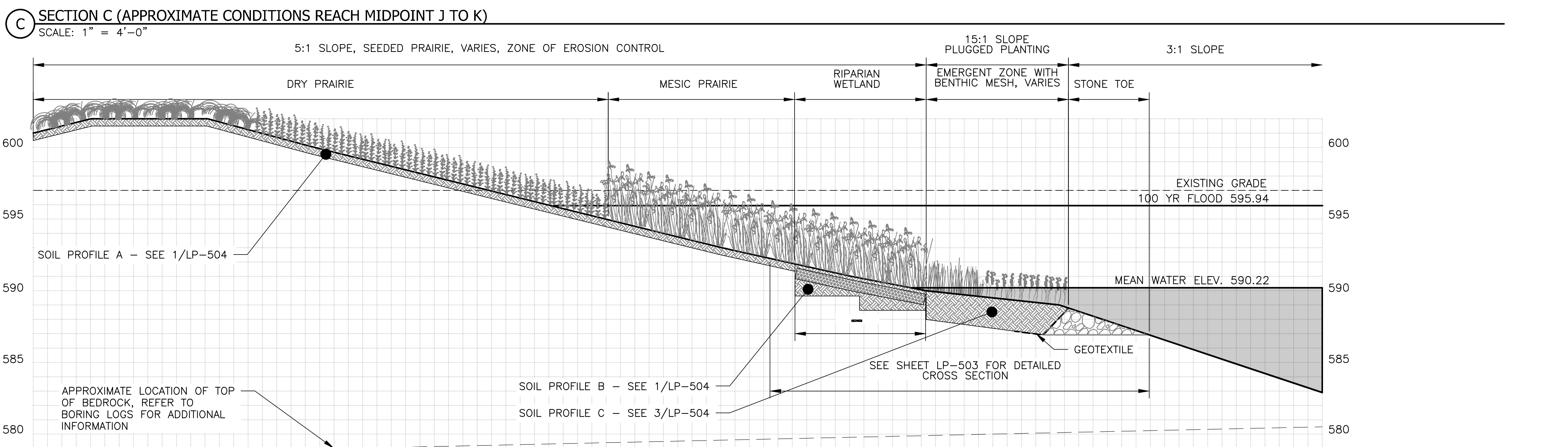
CONTRACT 14-253-5F
 FLOOD CONTROL PROJECT ON
 MIDLOTHIAN CREEK IN ROBBINS, CSA
 LITTLE CALUMET RIVER WATERSHED
 SHORELINE PLANTING CROSS SECTIONS

P:\16-105_Robbins Park - MWRD\04_CAD\14-253-3F\Landscape\Sheets\14-253-BF\LP-217.dwg 1/9/2024 4:30 PM
 PLOT DATE: 2/7/2024 2:54 PM PLOTTED BY: HANNAH CUSICK



LEGEND:
 - - - - - CHANNEL MEAN ELEV.
 - - - - - 100 YR FLOOD ELEV.

PLANTING NOTES:
 1. REFERENCE NOTES ON PLANTING DRAWING LP-101.



Rev.	Description	Appr.	Date

METROPOLITAN WATER RECLAMATION DISTRICT
 OF GREATER CHICAGO

CONTRACT 14-253-5F
 FLOOD CONTROL PROJECT ON
 MIDLOTHIAN CREEK IN ROBBINS, CSA
 LITTLE CALUMET RIVER WATERSHED
 SHORELINE PLANTING CROSS SECTIONS

Designed by: LH
 Checked by: LH
 Drawn by: LH
 Reviewed by: LH
 Date: FEB 2024
 Scale: AS SHOWN

DONOHUE
 CONSULTING ENGINEERS

ZIM
 CONSULTING ENGINEERS

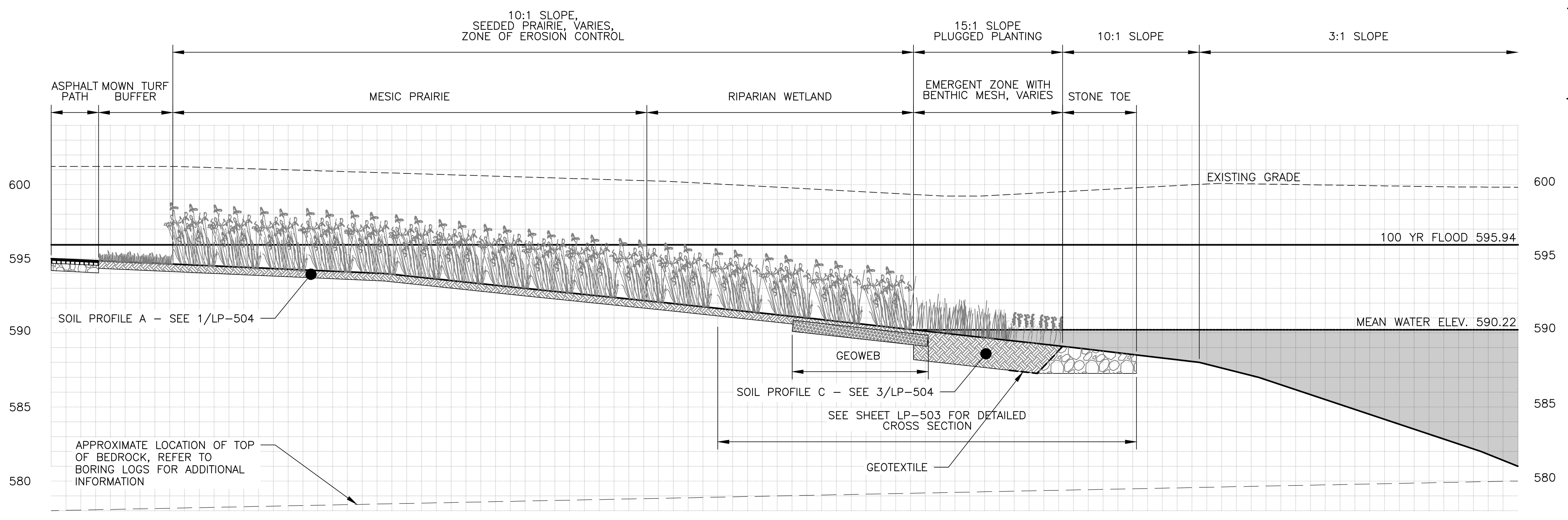
ACCURATE
 CONSULTING ENGINEERS

LIVING HABITATS

Sheet Number:
LP-217

Page Number: 171

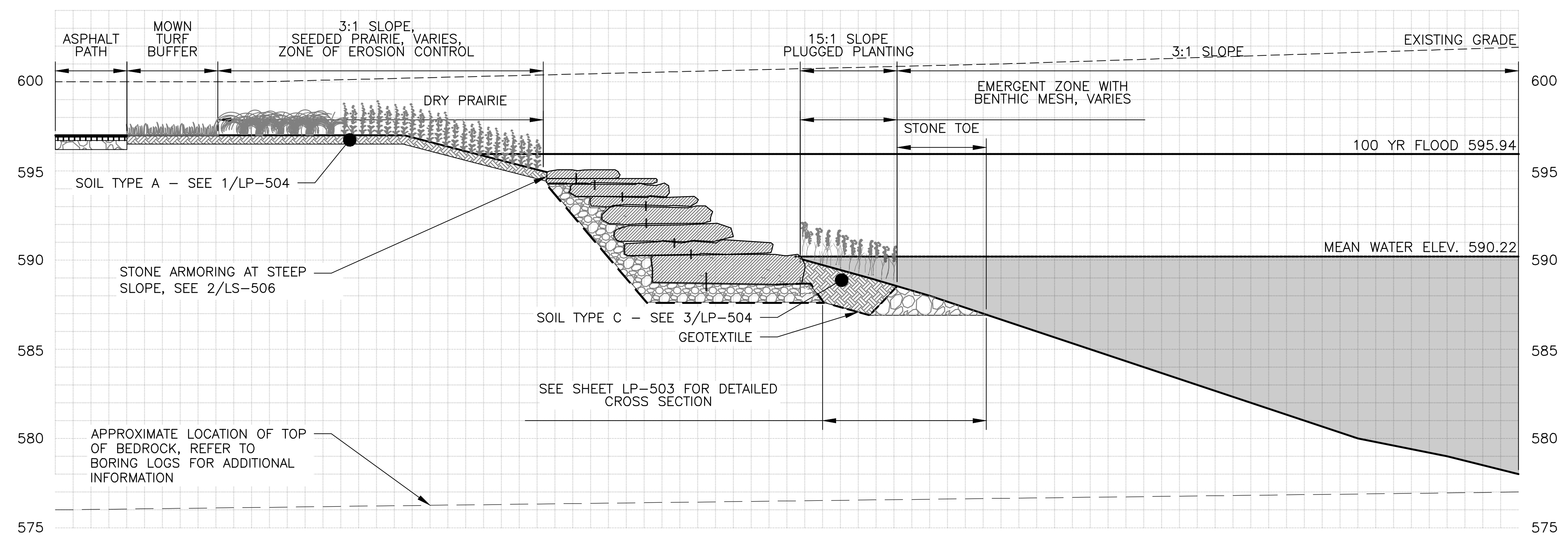
P:\16-105_Robbins Park - MWRD\04_CAD\14-253-3F\Landscape\Sheets\14-253-BF\LP-218.dwg 1/2/2024 12:27 PM
 PLOT DATE: 2/7/2024 2:54 PM PLOTTED BY: HANNAH CUSICK



LEGEND:
 - - - - - CHANNEL MEAN ELEV.
 - - - - - 100 YR FLOOD ELEV.

PLANTING NOTES:
 1. REFERENCE NOTES ON PLANTING DRAWING LP-101.

F SECTION F (APPROXIMATE CONDITIONS REACH M TO Q)
 SCALE: 1" = 4'-0"



G SECTION G (APPROXIMATE CONDITIONS REACH Q TO X)
 SCALE: 1" = 4'-0"

Rev.	Description	Appr.	Date

METROPOLITAN WATER RECLAMATION DISTRICT OF GREATER CHICAGO

DESIGNED BY: LH
 CHECKED BY: LH
 DRAWN BY: LH
 REVIEWED BY: LH
 DATE: FEB 2024
 SCALE: AS SHOWN

DONOHUE
 CONSULTING ENGINEERS

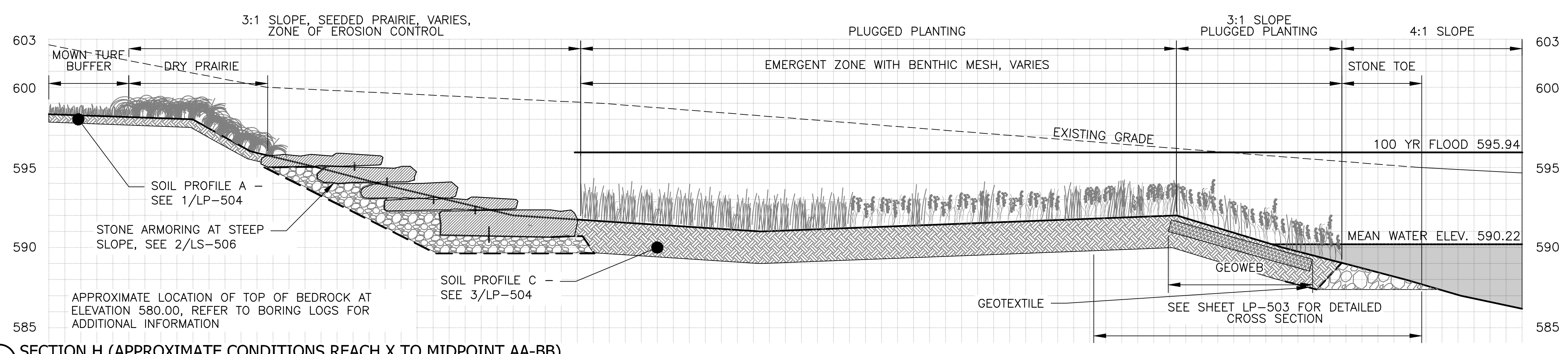
ZIM
 CONSULTING ENGINEERS

Accurate
 CONSULTING ENGINEERS

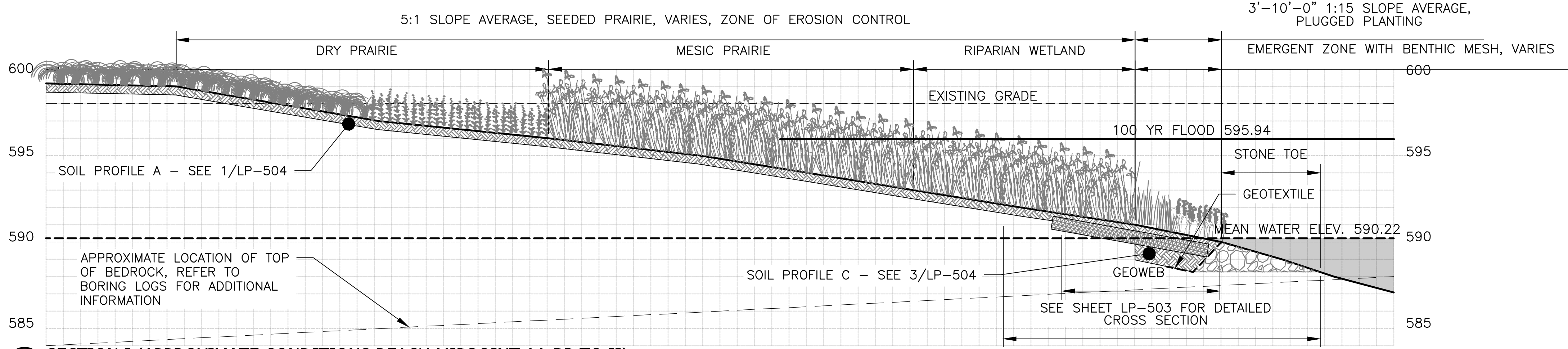
LIVING HABITATS

CONTRACT 14-253-5F
 FLOOD CONTROL PROJECT ON
 MIDLOTHIAN CREEK IN ROBBINS, CSA
 LITTLE CALUMET RIVER WATERSHED
 SHORELINE PLANTING CROSS SECTIONS

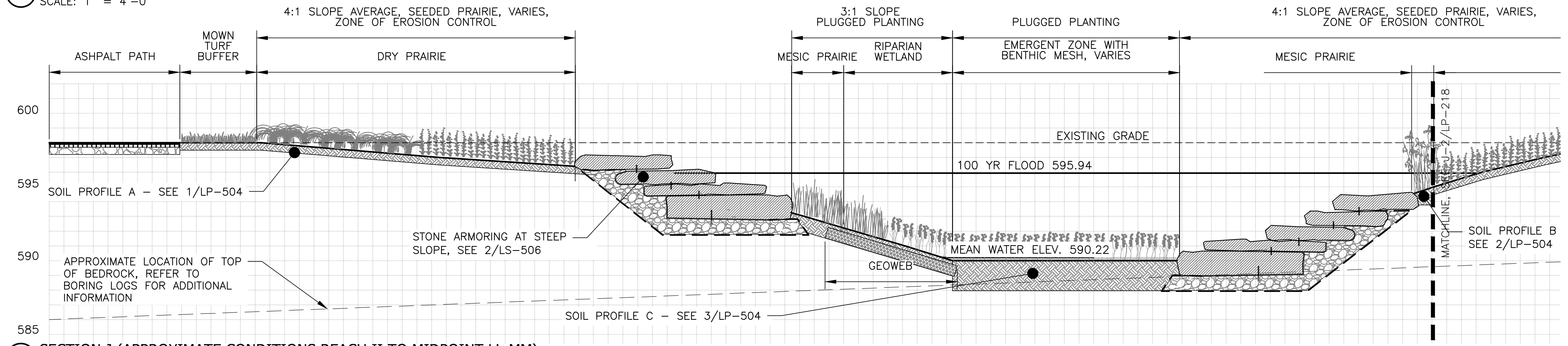
P:\16-105_Robbins Park - MWRD\04_CAD\14-253-3F\14-253-3F\LP-219.dwg 1/3/2024 4:47 PM
 PLOT DATE: 2/7/2024 2:54 PM PLOTTED BY: HANNAH CUSICK



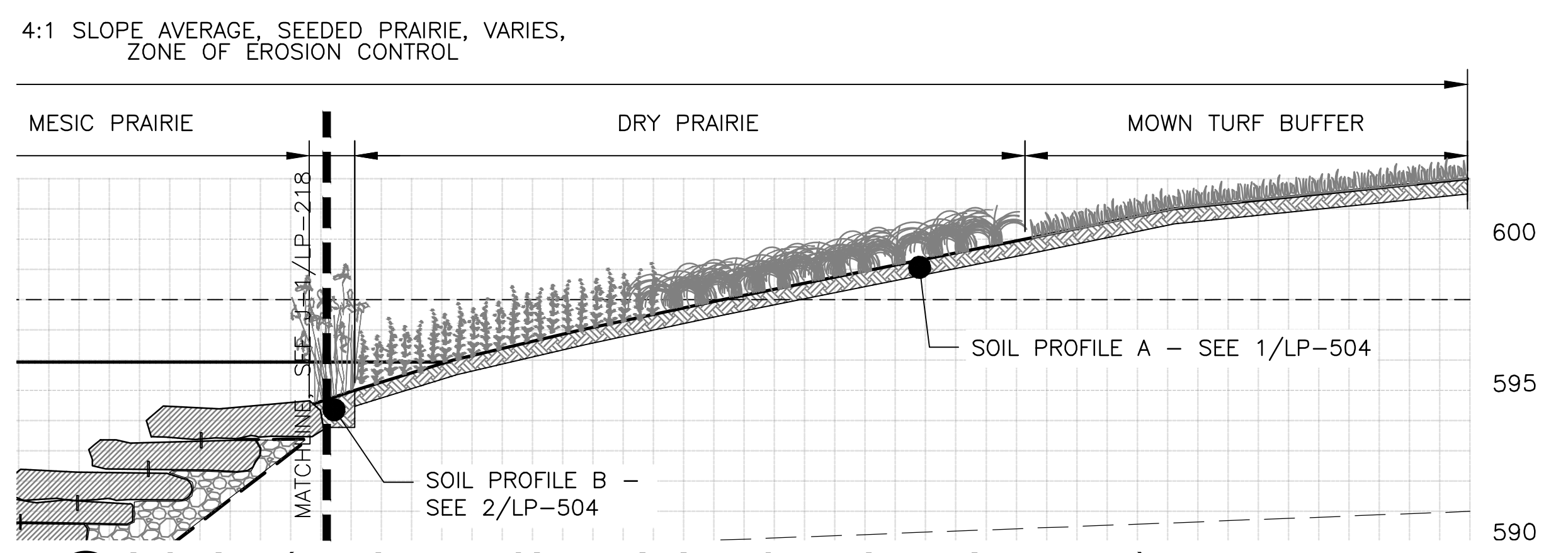
H SECTION H (APPROXIMATE CONDITIONS REACH X TO MIDPOINT AA-BB)
 SCALE: 1" = 4'-0"



I SECTION I (APPROXIMATE CONDITIONS REACH MIDPOINT AA-BB TO II)
 SCALE: 1" = 4'-0"



J-1 SECTION J (APPROXIMATE CONDITIONS REACH II TO MIDPOINT LL-MM)
 SCALE: 1" = 4'-0"



J-2 SECTION J (APPROXIMATE CONDITIONS REACH II TO MIDPOINT LL-MM)
 SCALE: 1" = 4'-0"

LEGEND:
 - - - - - CHANNEL MEAN ELEV.
 - - - - - 100 YR FLOOD ELEV.

PLANTING NOTES:
 1. REFERENCE NOTES ON PLANTING DRAWING LP-101.

Rev.	Description	Appr.	Date

METROPOLITAN WATER RECLAMATION DISTRICT OF GREATER CHICAGO

Contract 14-253-5F
 FLOOD CONTROL PROJECT ON
 MIDLOTHIAN CREEK IN ROBBINS, CSA
 LITTLE CALUMET RIVER WATERSHED
SHORELINE PLANTING CROSS SECTIONS

Checked by: LH
 Reviewed by: LH
 Date: FEB 2024
 Scale: AS SHOWN

Designed by: LH
 Drawn by: LH

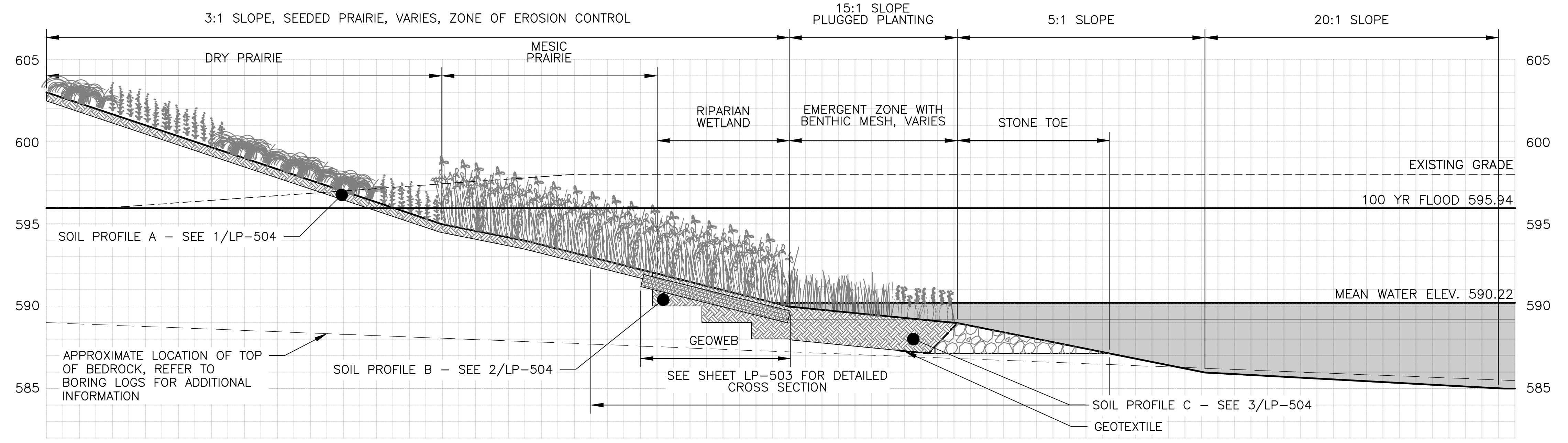
DONOHUE
 ACCURATE
 ENGINEERS & ASSOCIATES, INC.
 CONSULTING ENGINEERS

LIVING HABITATS

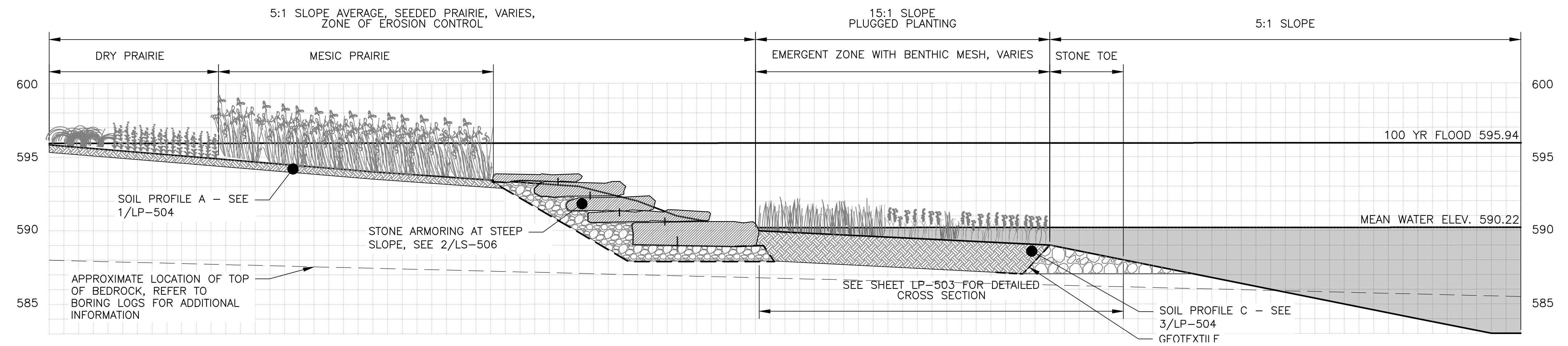
Sheet Number:
LP-219

Page Number: 173

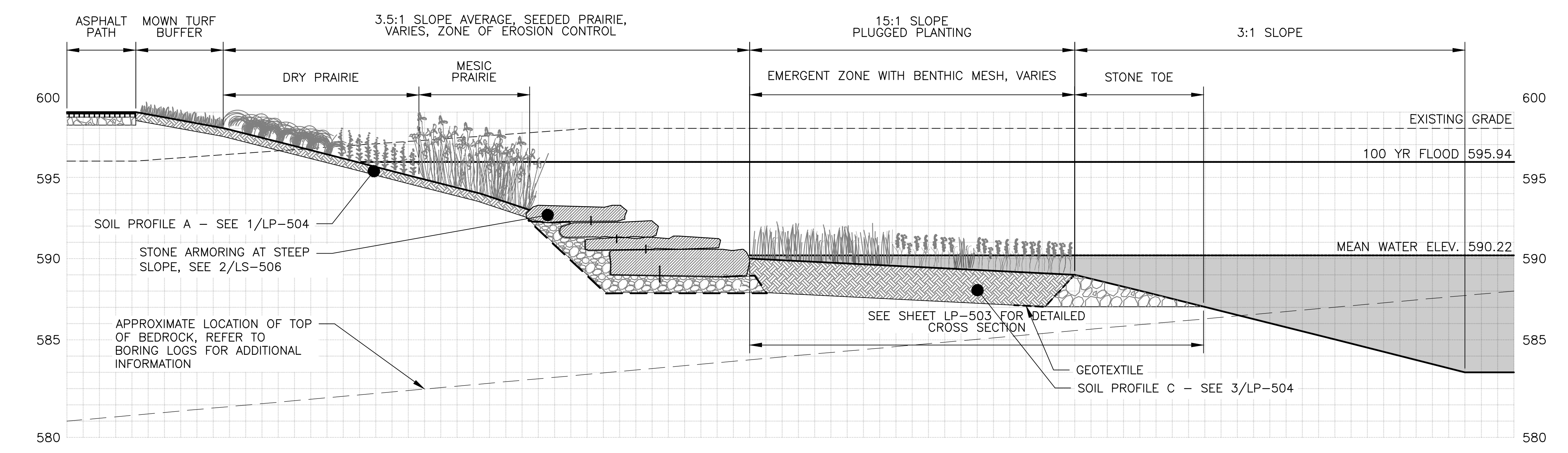
P:\16-105-Robbins Park - MWRD\04_CAD\14-253-3F\Landscape\Sheets\14-253-BF\LP-220.dwg 1/25/2024 12:18 PM
 PLOT DATE: 2/7/2024 2:55 PM PLOTTED BY: HANNAH CUSICK



K SECTION K (APPROXIMATE CONDITIONS REACH MIDPOINT LL-MM TO QQ)
 SCALE: 1" = 4'-0"



L SECTION L (APPROXIMATE CONDITIONS REACH QQ TO TT)
 SCALE: 1" = 4'-0"



M SECTION M (APPROXIMATE CONDITIONS REACH TT TO YY)
 SCALE: 1" = 4'-0"

LEGEND:
 - - - - - CHANNEL MEAN ELEV.
 - - - - - 100 YR FLOOD ELEV.

PLANTING NOTES:
 1. REFERENCE NOTES ON PLANTING DRAWING LP-101.

Rev.	Description	Appr.	Date

METROPOLITAN WATER RECLAMATION DISTRICT
 OF GREATER CHICAGO

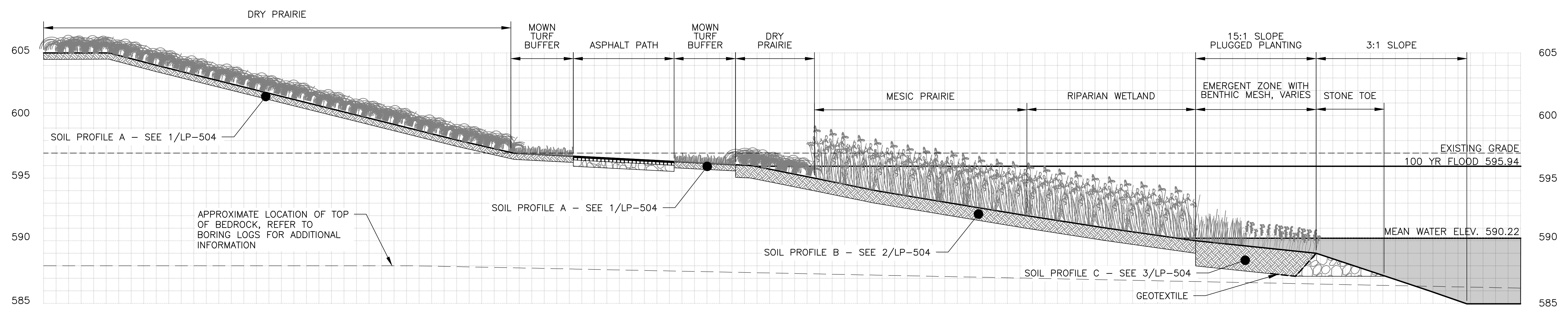
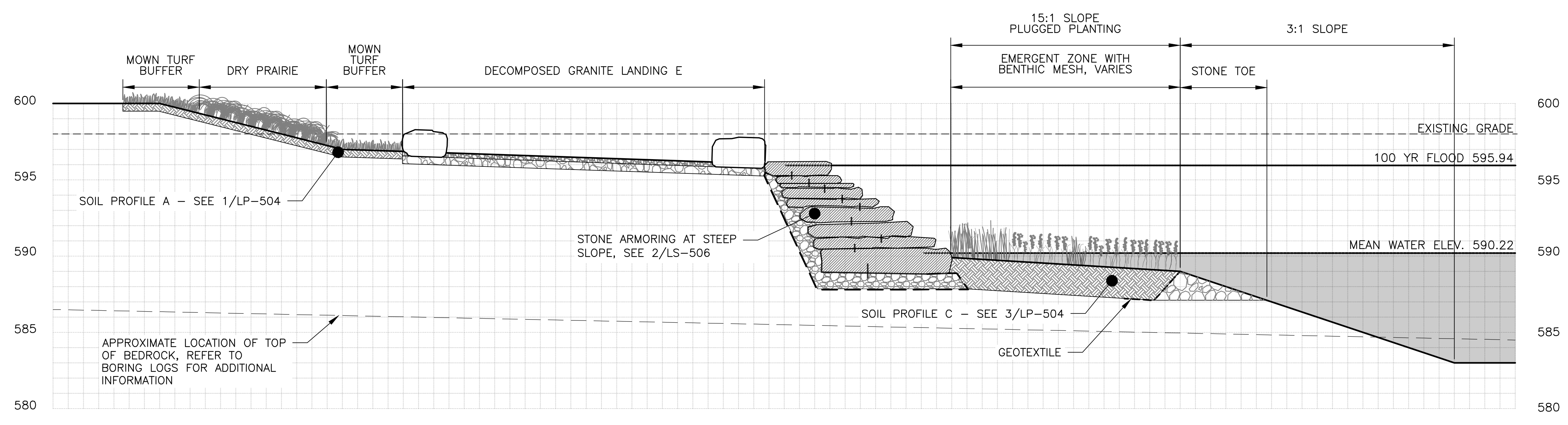
Designed by: LH
 Checked by: LH
 Drawn by: LH
 Reviewed by: LH
 Date: FEB 2024
 Scale: AS SHOWN

DONOHUE
 Accurate
 O'NEILL & ASSOCIATES, INC.
 CONSULTING ENGINEERS

LIVING HABITATS

CONTRACT 14-253-5F
 FLOOD CONTROL PROJECT ON
 MIDLOTHIAN CREEK IN ROBBINS, CSA
 LITTLE CALUMET RIVER WATERSHED
 SHORELINE PLANTING CROSS SECTIONS

P:\16-105_Robbins Park - MWRD\04_CAD\14-253-5F\Landscape\Sheets\14-253-BF\LP-221.dwg 1/2/2024 12:34 PM
 PLOT DATE: 2/7/2024 2:55 PM PLOTTED BY: HANNAH CUSICK



LEGEND:
 - - - - - CHANNEL MEAN ELEV.
 - - - - - 100 YR FLOOD ELEV.

PLANTING NOTES:
 1. REFERENCE NOTES ON PLANTING DRAWING LP-101.

Rev.	Description	Appr.	Date

METROPOLITAN WATER RECLAMATION DISTRICT
 OF GREATER CHICAGO

Designed by: LH
 Checked by: LH
 Drawn by: LH
 Reviewed by: LH
 Date: FEB 2024
 Scale: AS SHOWN

DONOHUE
 Accurate
 O'NEILL & ASSOCIATES, INC.
 CONSULTING ENGINEERS

LIVING HABITATS

CONTRACT 14-253-5F
 FLOOD CONTROL PROJECT ON
 MIDLOTHIAN CREEK IN ROBBINS, CSA
 LITTLE CALUMET RIVER WATERSHED
 SHORELINE PLANTING CROSS SECTIONS

Sheet Number:
LP-221
 Page Number: 175

TREE AND SHRUB PLANTING SCHEDULE: STORMWATER PARK

ACRONYM	QTY	SCIENTIFIC NAME	COMMON NAME	SIZE	ROOT	WETLAND INDICATOR	VEGETATIVE PHYSIOLOGY	NOTES
ACERUB	29	Acer rubrum	RED MAPLE	2" CAL.	B&B	FAC	TREE	
ACESAC	25	Acer saccharum	SUGAR MAPLE	3" CAL.	B&B	FACU	TREE	
ACESAC*	3	Acer saccharum	SUGAR MAPLE			FACU	TREE	*TRANSPLANTED (T38, T39, T40)
AESPAR	5	Aesculus parviflora	BOTTLEBRUSH BUCKEYE	5'-0" HT.	B&B	FACU	SHRUB	
AMEGRA	21	Amelanchier x grandiflora 'Autumn Brilliance'	APPLE SERVICEBERRY	8'-0"-10'-0" HT.	B&B	FAC	SMALL TREE	MULTISTEM, 5 STEM MINIMUM
CAROVA	22	Carya ovata	SHAGBARK HICKORY	3" CAL.	B&B	FACU	TREE	
CELOCC	17	Celtis occidentalis	HACKBERRY	4" CAL.	B&B	FACU-	TREE	
FAGGRA	7	Fagus grandifolia	AMERICAN BEECH	3" CAL.	B&B	FACU	TREE	
GLETRI	28	Gleditsia triacanthos	HONEY LOCUST	2" CAL.	B&B	FACU	TREE	
GYMDIO	3	Gymnocladus dioica	KENTUCKY COFFEE TREE	2" CAL.	B&B	UPL	TREE	
HAMVIR	9	Hammamelis virginiana	WITCH HAZEL	6'-0"-8'-0" HT.	B&B	FACU	SMALL TREE	MULTISTEM, 5 STEM MINIMUM
JUNVIR	33	Juniperus virginiana	EASTERN RED CEDAR	10'-0" HT.	B&B	FACU	TREE	UNSHEARED
METGLY	14	Metasequoia glyptostroboides	DAWN REDWOOD	3" CAL.	B&B	FACU	TREE	UNSHEARED
PINSTR	5	Pinus strobus	EASTERN WHITE PINE	10'-0" HT.	B&B	FACU	TREE	UNSHEARED
QUEALB	29	Quercus alba	WHITE OAK	4" CAL.	B&B	FAC	TREE	
QUEMAC	18	Quercus macrocarpa	BUR OAK	2" CAL.	B&B	FACU	TREE	
QUERUB	14	Quercus rubra	RED OAK	4" CAL.	B&B	FAC-	TREE	
THUOCC	22	Thuja occidentalis	EASTERN ARBORVITAE	10'-0" HT.	B&B	FACW	TREE	UNSHEARED
TSUCAN	9	Tsuga canadensis	EASTERN HEMLOCK	10'-0" HT.	B&B	FACU	TREE	UNSHEARED
VIBPRU	25	Viburnum prunifolium	BLACKHAW	8'-0"-10'-0" HT.	B&B	FACU	SHRUB	MULTISTEM, 7 STEM MINIMUM
TOTAL	342							

Rev.	Description	Appr.	Date

METROPOLITAN WATER RECLAMATION DISTRICT OF GREATER CHICAGO

Designed by: LH
 Checked by: LH
 Drawn by: LH
 Reviewed by: LH
 Date: FEB 2024
 Scale: AS SHOWN

DONOHUE Accurate
 DONOHUE & ASSOCIATES, INC.
 CONSULTING ENGINEERS

LIVING HABITATS

CONTRACT 14-253-5F
 FLOOD CONTROL PROJECT ON
 MIDLOTHIAN CREEK IN ROBBINS, CSA
 LITTLE CALUMET RIVER WATERSHED
PLANTING SCHEDULE

GROUNDCOVER PLANTING SCHEDULE: STORMWATER PARK

PLANTING NOTES:

- FOR GROUNDCOVER SPACING SEE 3/LP-502.
- REFERENCE PARTIAL GROUNDPLANE PLANTING PLANS ON LP-203 THROUGH LP-213.
- ALL MULTI-SPECIES BEDS SHOULD HAVE RANDOM MIXING OF ALL SPECIES WITH NO MORE THAN 50 OF ONE SPECIES CLUSTERED TOGETHER. SEDGES AND GRASSES SHOULD BE EVENLY DISTRIBUTED ACROSS EACH BED, NOT CLUSTERED IN GROUPS.

EMERGENT SHORELINE PLUG LIST

ABBREVIATIONS	QTY	SCIENTIFIC NAME	COMMON NAME	WETLAND INDICATOR	VEGETATIVE PHYSIOLOGY	SPACING 'D' SEE LP-502
ACOAME	1500	Acorus americanus	SWEET FLAG	OBL	P-FORB	12" O.C.
ALISUB	1645	Alisma subcordatum	COMMON WATER PLANT	OBL	P-FORB	12" O.C.
CXCOMO	1845	Carex comosa	BRISTLY SEDGE	OBL	P-SEDEGE	12" O.C.
CXEMOR	1990	Carex emoryi	EMORY'S SEDGE	OBL	P-SEDEGE	12" O.C.
CXHST	720	Carex hystericina	PORCUPINE SEDGE	OBL	P-SEDEGE	12" O.C.
CXLACU	190	Carex lacustris	COMMON LAKE SEDGE	OBL	P-SEDEGE	12" O.C.
CXRETR	50	Carex retrorsa	DEFLEXED BOTTLE-BRUSH SEDGE	OBL	P-SEDEGE	12" O.C.
CXSTRI	1780	Carex stricta	COMMON TUSSOCK SEDGE	OBL	P-SEDEGE	12" O.C.
DECVER	1605	Decodon verticillatus	SWAMP LOOSESTRIPE	OBL	SHRUB	12" O.C.
GLYSTR	780	Glyceria striata	FOWL MANNA GRASS	OBL	P-GRASS	12" O.C.
IRIVIS	2300	Iris virginica shrevei	SHREVE'S IRIS	OBL	P-FORB	12" O.C.
JUNEFF	1465	Juncus effusus	SOFT RUSH	OBL	P-FORB	12" O.C.
JUSAME	2285	Justicia americana	WATER WILLOW	OBL	P-FORB	12" O.C.
PELVIR	1880	Peltandra virginica	ARROW ARUM	OBL	P-FORB	12" O.C.
PENSED	1635	Penthorum sedoides	DITCH STONECROP	OBL	P-FORB	12" O.C.
PERAMP	2245	Persicaria amphibia	WATER KNOTWEED	OBL	P-FORB	12" O.C.
PONCOR	1645	Pontederia cordata	PICKEREL WEED	OBL	P-FORB	12" O.C.
RUMVER	2310	Rumex verticillatus	SWAMP DOCK	OBL	P-FORB	12" O.C.
SAGLAT	1655	Sagittaria latifolia	COMMON ARROWHEAD	OBL	P-FORB	12" O.C.
SAUCER	570	Saururus cernuus	LIZARD'S TAIL	OBL	P-FORB	12" O.C.
SCHACU	1820	Schoenoplectus acutus	HARD-STEMMED BULRUSH	OBL	P-SEDEGE	12" O.C.
SCHFLU	590	Schoenoplectus fluviatilis	RIVER BULRUSH	OBL	P-SEDEGE	12" O.C.
SCHTAB	470	Schoenoplectus tabernaemontani	GREAT BULRUSH	OBL	P-SEDEGE	12" O.C.
SPAEUR	2145	Sparganium eurycarpum	BROADFRUIT BUR-REED	OBL	P-FORB	12" O.C.

RIPARIAN WETLAND PLUG LIST

ABBREVIATIONS	QTY	SCIENTIFIC NAME	COMMON NAME	WETLAND INDICATOR	VEGETATIVE PHYSIOLOGY	SPACING 'D' SEE LP-502
ANGATR	1590	Angelica atropurpurea	GREAT ANGELICA	OBL	P-FORB	12" O.C.
ASCINC	1210	Asclepias incarnata	SWAMP MILKWEED	OBLP	P-FORB	12" O.C.
CALCAN	1205	Calamagrostis canadensis	BLUE JOINT GRASS	OBL	P-GRASS	12" O.C.
CXAQUA	905	Carex aquatilis	LONG-BRACTED TUSSOCK SEDGE	OBL	P-SEDEGE	12" O.C.
CXATHE	410	Carex atherodes	HAIRY LEAVED LAKE SEDGE	OBL	P-SEDEGE	12" O.C.
CXFRAN	755	Carex frankii	BRISTLY CATTAIL SEDGE	OBL	P-SEDEGE	12" O.C.
CXLACU	85	Carex lacustris	COMMON LAKE SEDGE	OBL	P-SEDEGE	12" O.C.
CXLUPU	2070	Carex lupulina	COMMON HOP SEDGE	OBL	P-SEDEGE	12" O.C.
CXPELL	815	Carex pellita	BROAD-LEAVED WOOLY SEDGE	OBL	P-SEDEGE	12" O.C.
CXTRIC	1815	Carex trichocarpa	HAIRY-FRUITED LAKE SEDGE	OBL	P-SEDEGE	12" O.C.
CXTRIB	565	Carex tribuloides	AWL-FRUITED OVAL SEDGE	OBL	P-SEDEGE	12" O.C.
CXVULP	835	Carex vulpinoidea	BROWN FOX SEDGE	OBL	P-SEDEGE	12" O.C.
DIAAME	565	Diarrhena americana (syn. obovata)	BEAK GRASS	FACU	P-GRASS	12" O.C.
DOEUMB	275	Doellingeria umbellata	FLAT-TOP ASTER	FACW	P-FORB	12" O.C.
ELYRIP	275	Elymus riparius	RIVERBANK WILD RYE	FACW	P-GRASS	12" O.C.
EUPPER	1315	Eupatorium perfoliatum	COMMON BONESET	FACW	P-FORB	12" O.C.
EUTMAC	1850	Eutrochium maculatum	SPOTTED JOE PYE WEED	OBL	P-FORB	12" O.C.
FILRUB	1650	Filipendula rubra	QUEEN OF THE PRAIRIE	OBL	P-FORB	12" O.C.
HELAUT	1665	Helenium autumnale	SNEEZEWEED	FACW	P-FORB	12" O.C.
HIBLAE	305	Hibiscus laevis	HALBERD-LEAVED ROSE MALLOW	OBL	P-FORB	12" O.C.
HIBMOS	1055	Hibiscus moscheutos	SWAMP ROSE MALLOW	OBL	P-FORB	12" O.C.
HYPASC	2795	Hypericum ascyron	GREAT ST. JOHN'S WORT	FAC	P-FORB	12" O.C.
LIASPI	1045	Liatris spicata	MARSH BLAZING STAR	FAC	P-FORB	12" O.C.
LOBCAR	415	Lobelia cardinalis	CARDINAL FLOWER	OBL	P-FORB	12" O.C.
LOBSIP	1140	Lobelia siphilitica	GREAT BLUE LOBELIA	OBL	P-FORB	12" O.C.
LUDALT	570	Ludwigia alternifolia	SEEDBOX	OBL	P-FORB	12" O.C.
PACPAU	2710	Packera paupercula	BALSAM RAGWORT	FAC	P-FORB	12" O.C.
PHLGLA	1065	Phlox glaberrima interior	MARSH PHLOX	FACW	P-FORB	12" O.C.
PYCVIR	2215	Pycnanthemum virginianum	COMMON MOUNTAIN MINT	FACW	P-FORB	12" O.C.
PYCTEN	575	Pycnanthemum tenuifolium	SLENDER MOUNTAIN MINT	FACW	P-FORB	12" O.C.
RUDLAC	2315	Rudbeckia laciniata	WILD GOLDEN GLOW	FACW	P-FORB	12" O.C.
SCIATR	920	Scirpus atrovirens	GREAT BULRUSH	OBL	P-RUSH	12" O.C.
SCICYP	90	Scirpus cyperinus	DARK GREEN RUSH	OBL	P-RUSH	12" O.C.
SCIPEN	280	Scirpus pendulus	RED BULRUSH	OBL	P-RUSH	12" O.C.
SENHEB	1500	Senna hebecarpa	WILD SENNA	FACW	P-RUSH	12" O.C.
SOLRID	615	Solidago riddellii	RIDDELL'S GOLDENROD	OBL	P-FORB	12" O.C.
SPAPEC	1630	Spartina pectinata	PRAIRIE CORDGRASS	FACW	P-GRASS	12" O.C.
SPIALB	400	Spiraea alba	MEADOWSWEET	FACW	P-FORB	12" O.C.
SYMNOV	1430	Symphiotrichum novae-angliae	NEW ENGLAND ASTER	FACW	P-FORB	12" O.C.
SYMPUN	1140	Symphiotrichum puniceum	BRISTLY ASTER, SHINING ASTER	OBL	P-FORB	12" O.C.
THADAS	1440	Thalictrum dasycarpum	PURPLE MEADOW RUE	FACW	P-FORB	12" O.C.
VERHAS	1788	Verbena hastata	BLUE VERVAIN	FACW	P-FORB	12" O.C.
VERFAS	1455	Vernonia fasciculata	COMMON IRONWEED	FACW	P-FORB	12" O.C.
VERVIR	235	Veronicastrum virginicum	CULVER'S ROOT	FAC	P-FORB	12" O.C.

RIPARIAN WETLAND SEED MIXTURE (SURROUNDING EXISTING WETLAND)

ABBREVIATIONS	QTY PLS OZ/ACRE	SCIENTIFIC NAME	COMMON NAME	WETLAND INDICATOR	VEGETATIVE PHYSIOLOGY
ASCINC	10	Asclepias incarnata	SWAMP MILKWEED	OBLP	P-FORB
CALCAN	10	Calamagrostis canadensis	BLUE JOINT GRASS	OBL	P-GRASS
ELYRIP	10	Elymus riparius	RIVERBANK WILD RYE	FACW	P-GRASS
EUPPER	10	Eupatorium perfoliatum	COMMON BONESET	FACW	P-FORB
JUNEFF	10	Juncus effusus	SOFT RUSH	OBL	P-FORB
HELAUT	10	Helenium autumnale	SNEEZEWEED	FACW	P-FORB
HIBMOS	10	Hibiscus moscheutos	SWAMP ROSE MALLOW	OBL	P-FORB
PENSED	20	Penthorum sedoides	DITCH STONECROP	OBL	P-FORB
PYCVIR	10	Pycnanthemum virginiana	VIRGINIA MOUNTAINMINT		P-FORB
SCHTAB	10	Schoenoplectus tabernaemontani	SOFTSTEM BULRUSH	OBL	P-SEDEGE
SCICYP	10	Scirpus cyperinus	DARK GREEN RUSH	OBL	P-SEDEGE
SPAEUR	10	Sparganium eurycarpum	BROADFRUIT BUR-REED	OBL	P-FORB
SYMNOV	10	Symphiotrichum novae-angliae	NEW ENGLAND ASTER	FACW	P-FORB
SYMPUN	10	Symphiotrichum puniceum	BRISTLY ASTER, SHINING ASTER	OBL	P-FORB
VERHAS	10	Verbena hastata	BLUE VERVAIN	FACW	P-FORB

DRY PRAIRIE SEED MIXTURE

ACRONYM	QTY PLS OZ/ACRE	SCIENTIFIC NAME	COMMON NAME	WETLAND INDICATOR	VEGETATIVE PHYSIOLOGY
ASCSUL	10	Asclepias sullivantii	PRAIRIE MILKWEED	UPL	P-FORB
ALLCER	10	Allium cernuum	NODDING WILD ONION	FACU	P-FORB
ASCTUB	10	Asclepias tuberosa	BUTTERFLY WEED	UPL	P-FORB
ASCVER	10	Asclepias verticillata	WHORLED MILKWEED	UPL	P-FORB
AVESAT	640	Avena sativa	OATS	UPL	A-GRASS
BOUCUR	60	Bouteloua curtipendula	SIDE-OATS GRAMA	UPL	P-GRASS
BRIEUP	10	Brickellia eupatorioides var. corymbulosa	FALSE BONESET	UPL	P-FORB
CXBICK	10	Carex bicknellii	COPPER-SHOULDERED OVAL SEDGE	UPL	P-SEDEGE
DALPUR	10	Dalea purpurea	PURPLE PRAIRIE CLOVER	UPL	P-FORB
DRYAGU	10	Drymocallis arguta	PRAIRIE CINQUEFOIL	FACU	P-FORB
ECHPAL	10	Echinacea pallida	PALE PURPLE CONEFLOWER	UPL	P-FORB
ELYCAN	200	Elymus canadensis	CANADA WILD RYE	FACU	P-GRASS
EUPCOR	10	Euphorbia corollata	FLOWERING SPURGE	UPL	P-FORB
HELMOL	10	Helianthus mollis	DOWNY SUNFLOWER	UPL	P-FORB
HELPAU	10	Helianthus pauciflorus	PRAIRIE SUNFLOWER	UPL	P-FORB
LESCAP	10	Lespedeza capitata	ROUND-HEADED BUSH CLOVER	FACU	P-FORB
LIAASP	10	Liatris aspera	ROUGH BLAZING STAR	UPL	P-FORB
MONFIS	10	Monarda fistulosa	WILD BERGAMONT	FACU	P-FORB
PARINT	10	Parthenium integrifolium	WILD QUINNE	UPL	P-FORB
PENPAL	10	Penstemon pallidus	PALE BEARD TONGUE	UPL	P-FORB
PHLPILF	10	Phlox pilosa fulgida	PRAIRIE PHLOX	FACU	P-FORB
RATPIN	10	Ratibida pinnata	YELLOW CONEFLOWER	UPL	P-FORB
RUDHIR	10	Rudbeckia hirta	BLACK-EYED SUSAN	UPL	P-FORB
SCHSCO	100	Schizachyrium scoparium	LITTLE BLUESTEM GRASS	FACU-	P-GRASS
SILINT	10	Silphium integrifolium var. deamii	DEAM'S ROSIN WEED	UPL	P-FORB
SILLAC	10	Silphium laciniatum	COMPASS PLANT	UPL	P-FORB
SILTER	10	Silphium terebinthinaceum	PRAIRIE DOCK	FACU	P-FORB
SISALB	10	Sisyrinchium albidum	COMMON-BLUE-EYED GRASS	FACU	P-FORB
SPOHET	20	Sporobolus heterolepis	PRAIRIE DROPSEED	FACU	P-FORB
SOLRIG	10	Solidago rigida	STIFF GOLDENROD	FACU-	P-FORB
SYMLAE	10	Symphotrichum laeve	SMOOTH ASTER	FACU	P-FORB
TRAOHI	10	Tradescantia ohimensis	COMMON SPIDERWORT	FACU	P-FORB

Rev.	Description	Appr.	Date

METROPOLITAN WATER RECLAMATION DISTRICT OF GREATER CHICAGO

2. M

DONOHUE

Accurate ENGINEERS

LIVING HABITATS

Designed by: LH

Checked by: LH

Drawn by: LH

Date: FEB 2024

Reviewed by: LH

Scaler: AS SHOWN

CONTRACT 14-253-5F
 FLOOD CONTROL PROJECT ON
 MIDLOTHIAN CREEK IN ROBBINS, CSA
 LITTLE CALUMET RIVER WATERSHED
PLANTING SCHEDULE

Sheet Number:
LP-223
 Page Number: 177

GROUND COVER PLANTING SCHEDULE: STORMWATER PARK

MESIC PRAIRIE SEED MIXTURE					
ABBREVIATION	QTY PLS OZ./ACRE	SCIENTIFIC NAME	COMMON NAME	WETLAND INDICATOR	VEGETATIVE PHYSIOLOGY
ALLCER	8	Allium cernuum	NODDING WILD ONION	FACU	P-FORB
ANECAN	8	Anemone canadensis	MEADOW ANEMONE	FACW	P-FORB
AQUCAN	8	Aquilegia canadensis	WILD COLUMBINE	FACU	P-FORB
ASCTUB	8	Asclepias tuberosa	BUTTERFLY MILKWEED	UPL	P-FORB
AVESAT	8	Avena sativa	OATS	UPL	A-GRASS
BAPALB	8	Baptisia alba	WHITE WILD INDIGO	FACU+	P-FORB
CAMSCI	8	Camassia scilloides	WILD HYACINTH	FAC+	P-FORB
CORTRI	8	Coreopsis tripteris	TALL COREOPSIS	FAC	P-FORB
ELYCAN	200	Elymus canadensis	BLACK-EYED SUSAN	FACU	P-GRASS
ERYYUC	8	Eryngium yuccifolium	RATTLESNAKE MASTER	FAC+	P-FORB
EUPPER	8	Eupatorium perfoliatum	COMMON BONESET	FACW+	P-FORB
GENAND	8	Gentiana andrewsii	BOTTLE GENTIAN	FACW	P-FORB
HEURIC	8	Heuchera richardsonii	PRAIRIE ALUM ROOT	FACU	P-FORB
JUNDUO	8	Juncus dudleyi	DUDLEY'S RUSH	FACW	P-FORB
LESCAP	8	Lespedeza capitata	ROUND-HEADED BUSH CLOVER	FACU	P-FORB
LIAPYC	8	Liatris pycnostachya	PRAIRIE BLAZING STAR	FAC-	P-FORB
LIASPI	8	Liatris spicata	MARSH BLAZING STAR	FAC	P-FORB
MONFIS	8	Monarda fistulosa	WILD BERGAMOT	FACU	P-FORB
PENDIG	16	Penstemon digitalis	FLOXGLOVE BEARD TONGUE	FAC-	P-FORB
PHYVIRP	8	Physostegia virginiana	PRAIRIE OBEDIENT PLANT	UPL	P-FORB
POLREP	8	Polemonium reptans	JACOB'S LADDER	FAC	P-FORB
RATPIN	16	Ratibida pinnata	YELLOW CONEFLOWER	UPL	P-FORB
RUDSUB	16	Rudbeckia subtomentosa	SWEET BLACK EYED-SUSAN	FACU+	P-FORB
SCHSCO	200	Schizachyrium scoparium	LITTLE BLUESTEM GRASS	FACU	P-GRASS
SILTER	8	Silphium terebinthinaceum	PRAIRIE DOCK	FACU	P-FORB
SYMERI	8	Symphyotrichum ericoides	HEATHER ASTER	FACU-	P-FORB
THADAS	8	Thalictrum dasycarpum	SMOOTH MEADOW RUE	FACW-	P-FORB
TRAOHI	8	Tradescantia ohiensis	COMMON SPIDERWORT	UPL	P-FORB
VERVIR	8	Veronicastrum virginicum	CULVER'S ROOT	FAC	P-FORB
ZIZAUR	8	Zizia aurea	GOLDEN ALEXANDER	FAC+	P-FORB

DRY SAVANNA SEED MIXTURE					
ABBREVIATION	QTY PLS OZ./ACRE	SCIENTIFIC NAME	COMMON NAME	WETLAND INDICATOR	VEGETATIVE PHYSIOLOGY
ANECYL	10	Anemone cylindrica	THIMBLEWEED	FACU	P-FORB
AVESAT	640	Avena sativa	OATS	UPL	A-GRASS
BROPUB	10	Bromus pubescens	WOODLAND BROME	FACU	P-GRASS
CXGRAC	10	Carex gracilescens	SLENDER WOOD SEDGE	UPL	P-SEDE
CXPEN	10	Carex pennsylvanica	COMMON OAK SEDGE	UPL	P-SEDE
ELYVIL	10	Elymus villosus	SILKY WILD RYE	FACU	P-GRASS
GEBFLA	10	Gentiana flavida	YELLOWISH GENTIAN	FACU	P-FORB
GERMAC	10	Geranium maculatum	WILD GERANIUM	FACU	P-FORB
MAIRAC	10	Maiathemum racemosa	FEATHERY FALSE SOLOMON'S SEAL	FACU	P-FORB
PHLDIV	10	Phlox divaricata	WOODLAND PHLOX	FACU	P-FORB
PODPEL	10	Podophyllum peltatum	MAY APPLE	FACU	P-FORB
POLREP	10	Polemonium reptans	JACOB'S LADDER	FAC	P-FORB
POLBIF	10	Polygonatum biflorum	SMOOTH SOLOMON'S SEAL	FACU	P-FORB
SYMOOL	10	Symphyotrichum oolentangiense	SKY-BLUE ASTER	UPL	P-FORB
SYMLAE	10	Symphyotrichum laeve	SMOOTH BLUE ASTER	UPL	P-FORM
SYMUTI	16	Symphyotrichum sagittifolius	ARROW-LEAVED ASTER	UPL	P-FORB
TRAOHI	10	Tradescantia ohiensis	COMMON SPIDERWORT	FACU+	P-FORB

METROPOLITAN WATER RECLAMATION DISTRICT OF GREATER CHICAGO

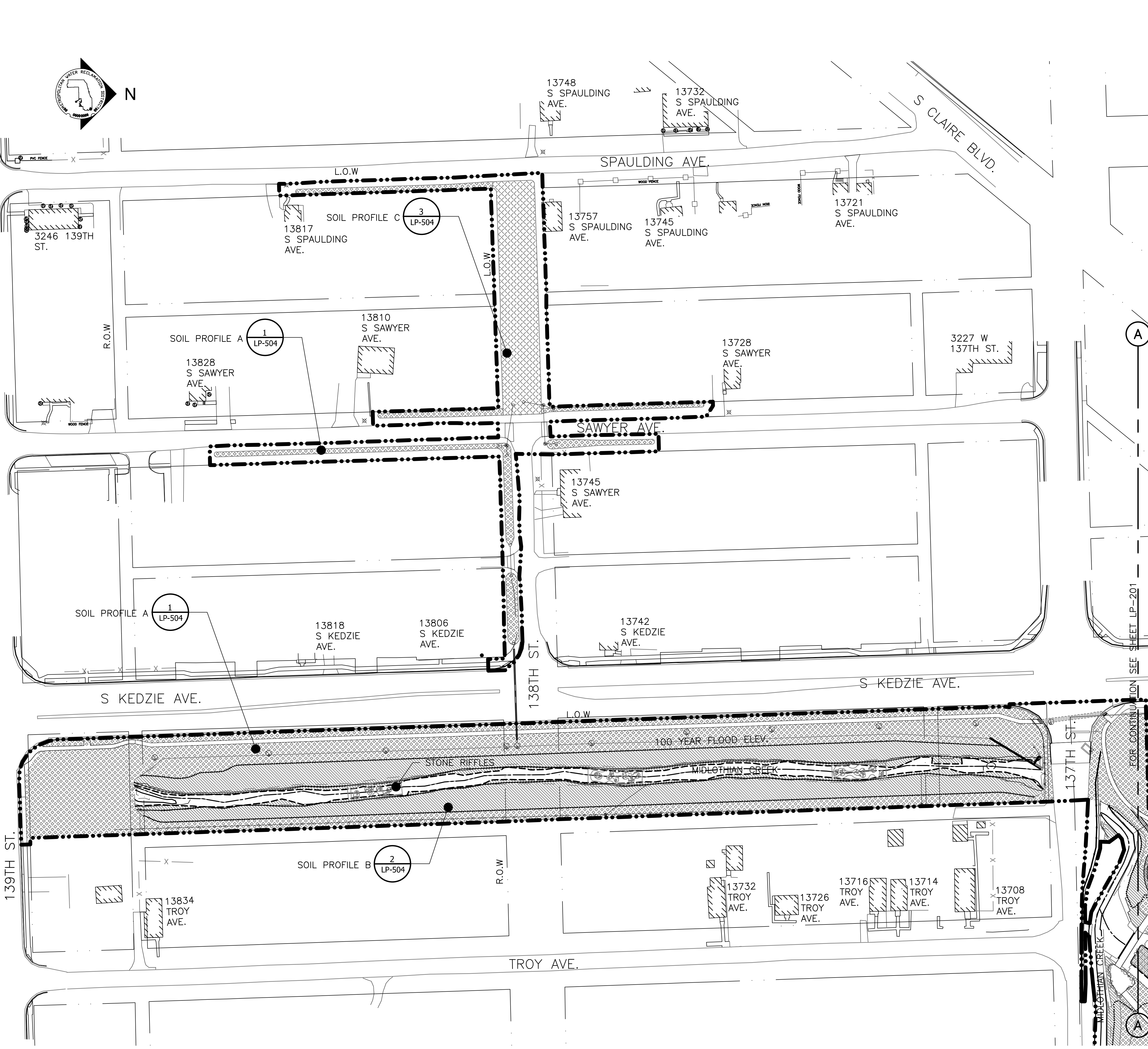
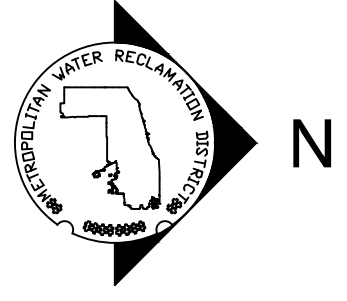
Designed by: LH	Checked by: LH	
Drawn by: LH	Reviewed by: LH	
Date: FEB 2024	Scale: AS SHOWN	

CONTRACT 14-253-5F
 FLOOD CONTROL PROJECT ON
 MIDLOTHIAN CREEK IN ROBBINS, CSA
 LITTLE CALUMET RIVER WATERSHED
 PLANTING SCHEDULE

Sheet Number:
LP-224
 Page Number: 178

Rev.	Description	Appr.	Date

P:\16-105_Robbins Park - MWRD\04_CAD\14-253-3F\landscape\Sheets\14-253-BF\LP-225.dwg 1/2/2024 3:55 PM

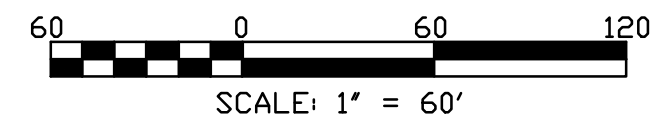


SOILS NOTES:

1. PRIOR TO PLACING PLANTING SOILS, THE CONTRACTOR SHALL CONFIRM THAT ALL PREVIOUS WORK IN PLANT BEDS AND PAVING AREAS HAS BEEN ACCEPTED INCLUDING, BUT NOT LIMITED TO, SUBGRADE PREPARATION, IRRIGATION, UTILITIES, UNDER DRAINAGE, SLEEVING AND MISCELLANEOUS WORK. CONTRACTOR SHALL REPORT ADVERSE CONDITIONS TO ENGINEER, AND SHALL NOT PROCEED UNTIL REMEDIAL WORK IS CORRECTED.
2. MINIMIZE EXCESSIVE COMPACTION DURING SOIL PLACEMENT. BACK-BLADING IS FORBIDDEN.
3. THE CONTRACTOR SHALL LAYOUT AND STAKE THE ELEVATIONS OF ALL SITE ELEMENTS AND PROPOSED UTILITIES FOR APPROVAL BY THE ENGINEER PRIOR TO THE START OF CONSTRUCTION. THE CONTRACTOR SHALL PROVIDE ELEVATIONS SIMULTANEOUSLY WITH LAYOUT.
4. THE CONTRACTOR SHALL PROVIDE NOTICE TO THE ENGINEER UPON COMPLETION OF ROUGH GRADING. ENGINEER TO BE PRESENT TO INSPECT SUBGRADE CONDITION PRIOR TO COMMENCEMENT OF FINISHED GRADE WORK.
5. CONTRACTOR SHALL NOTIFY ENGINEER PRIOR TO DISTURBANCE WITHIN DRIP LINE OF EXISTING TREES. ALL TRANSPLANTED TREES SHOULD BE REMOVED PRIOR TO GRADING.

LEGEND:

- L.O.W. LIMIT OF WORK
- WOUS WATERS OF UNITED STATES
- CHANNEL MEAN ELEV.
- 100 YR FLOOD ELEV.
- [Pattern] SOIL PROFILE A
- [Pattern] SOIL PROFILE B
- [Pattern] SOIL PROFILE C
- [Symbol] STONE RIFFLES
- [Symbol] CHANNEL CENTER LINE & DIRECTION OF FLOW



Rev.	Description	Appr.	Date

METROPOLITAN WATER RECLAMATION DISTRICT OF GREATER CHICAGO

CONTRACT 14-253-5F
FLOOD CONTROL PROJECT ON
MIDLOTHIAN CREEK IN ROBBINS, CSA
LITTLE CALUMET RIVER WATERSHED
SOILS PLAN - MIDLOTHIAN CREEK

DESIGNED BY: LH
CHECKED BY: LH
DRAWN BY: LH
DATE: FEB 2024

REVIEWED BY: LH
SCALE: AS SHOWN

ACCURATE CONSULTING ENGINEERS

DONOHUE ZIMMERMANN
ACCURATE CONSULTING ENGINEERS
OBERLIN & ASSOCIATES, INC.
CONSULTING ENGINEERS

Sheet Number:
LP-225

Page Number: 179

PLOT DATE: 2/7/2024 2:55 PM PLOTTED BY: HANNAH CUSICK
 P:\16-105_Robbins Park - MWRD\04_CAD\14-253-5F\14-253-BF\LP-226.dwg 1/26/2024 4:18 PM



- LEGEND:**
- L.O.W. --- LIMIT OF WORK
 - W.O.U.S. --- WATERS OF UNITED STATES
 - CHANNEL MEAN ELEV.
 - 100 YR FLOOD ELEV.
 - GUARDRAIL ---
 - [Pattern] SOIL PROFILE A
 - [Pattern] SOIL PROFILE B
 - [Pattern] SOIL PROFILE C

SOIL NOTES:
 1. REFERENCE NOTES ON SOILS DRAWING LP-224.

Rev.	Description	Appr.	Date

METROPOLITAN WATER RECLAMATION DISTRICT OF GREATER CHICAGO

CONTRACT 14-253-5F
 FLOOD CONTROL PROJECT ON
 MIDLOTHIAN CREEK IN ROBBINS, CSA
 LITTLE CALUMET RIVER WATERSHED
SOILS PLAN - STORMWATER PARK

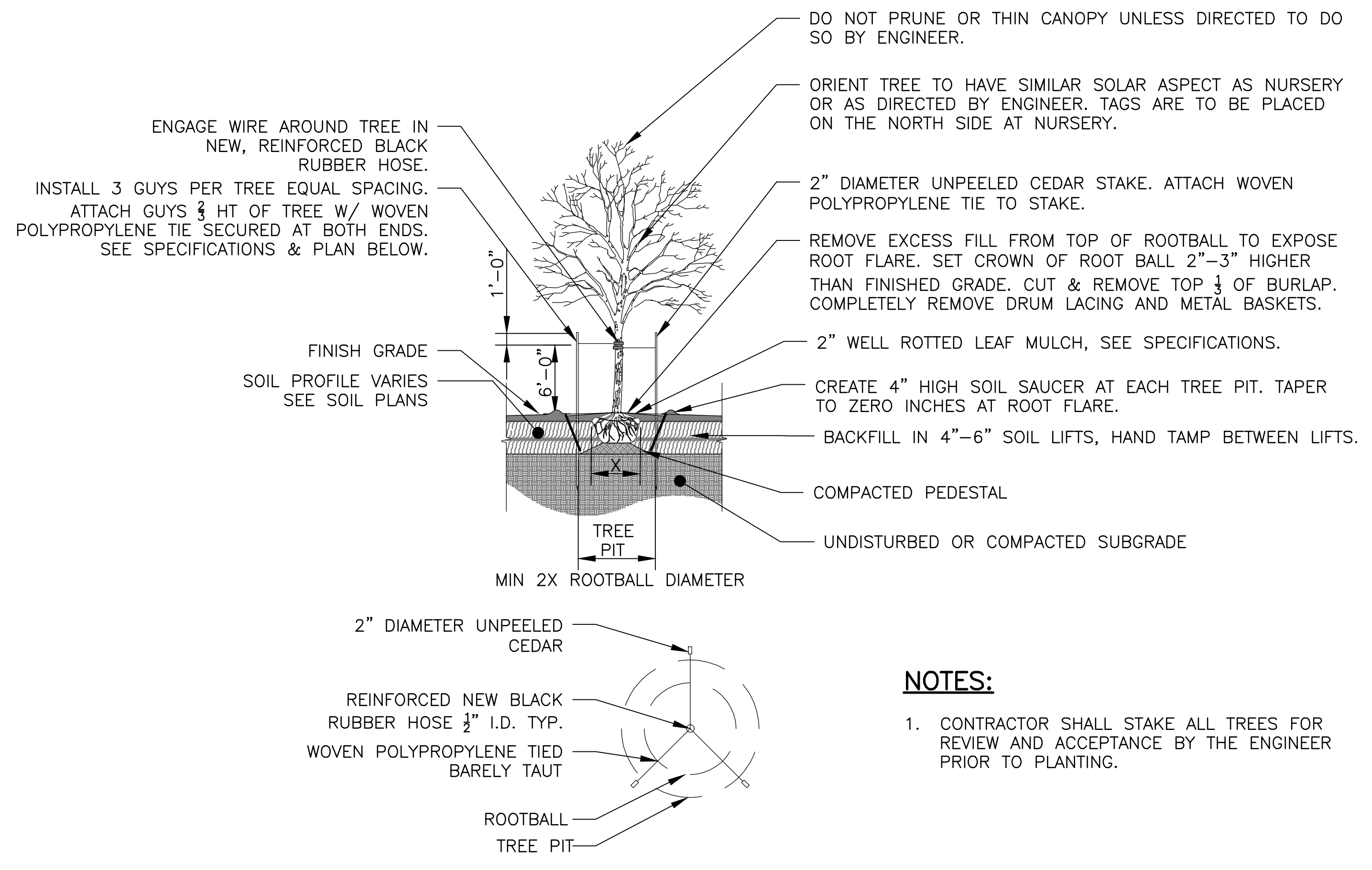
Designed by: LH
 Checked by: LH
 Drawn by: LH
 Reviewed by: LH
 Date: FEB 2024
 Scale: AS SHOWN

Accurate
 DONOHUE
 ENGINEERS & ASSOCIATES, INC.
 CONSULTING ENGINEERS

LIVING HABITATS

Sheet Number:
LP-226
 Page Number: 180

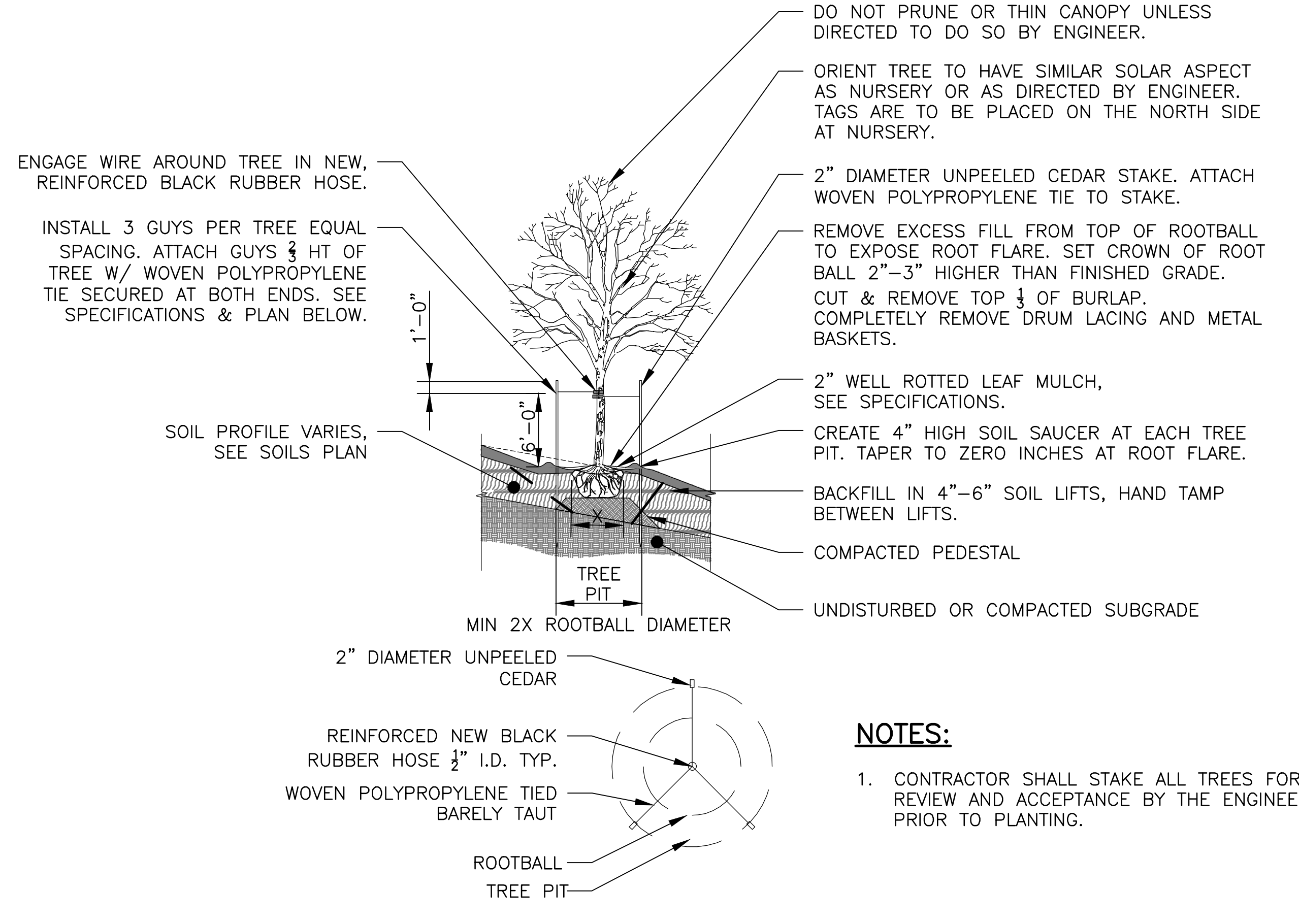
P:\16-105_Robbins Park - MWRD\04_CAD\14-253-3F\Landscaping\Sheets\14-253-BF\LP-501.dwg 1/2/2024 3:37 PM
 PLOT DATE: 2/7/2024 2:56 PM PLOTTED BY: HANNAH CUSICK



NOTES:

1. CONTRACTOR SHALL STAKE ALL TREES FOR REVIEW AND ACCEPTANCE BY THE ENGINEER PRIOR TO PLANTING.

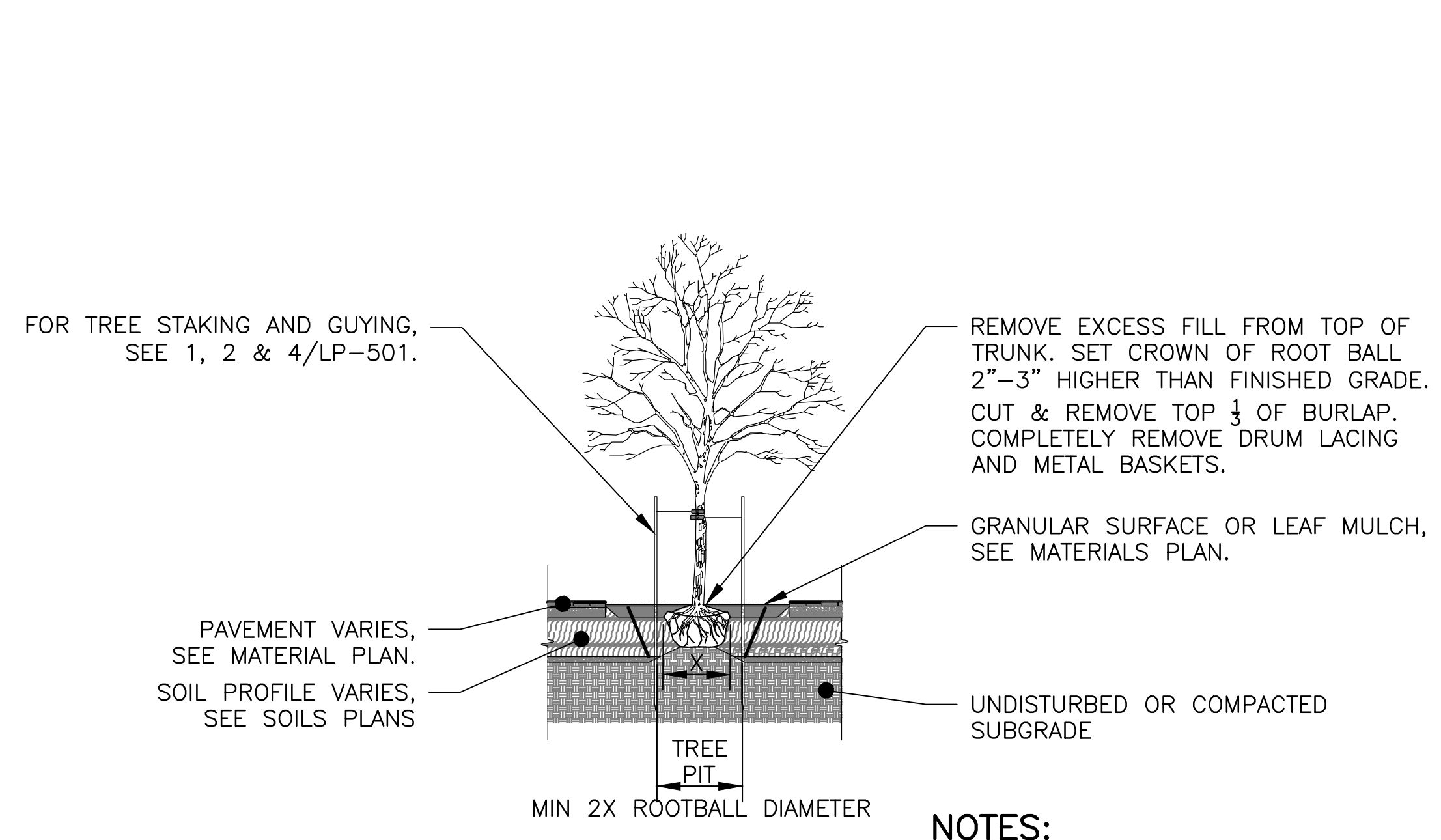
1 DECIDUOUS TREE PLANTING
 SCALE: 1/8"=1'-0"



NOTES:

1. CONTRACTOR SHALL STAKE ALL TREES FOR REVIEW AND ACCEPTANCE BY THE ENGINEER PRIOR TO PLANTING.

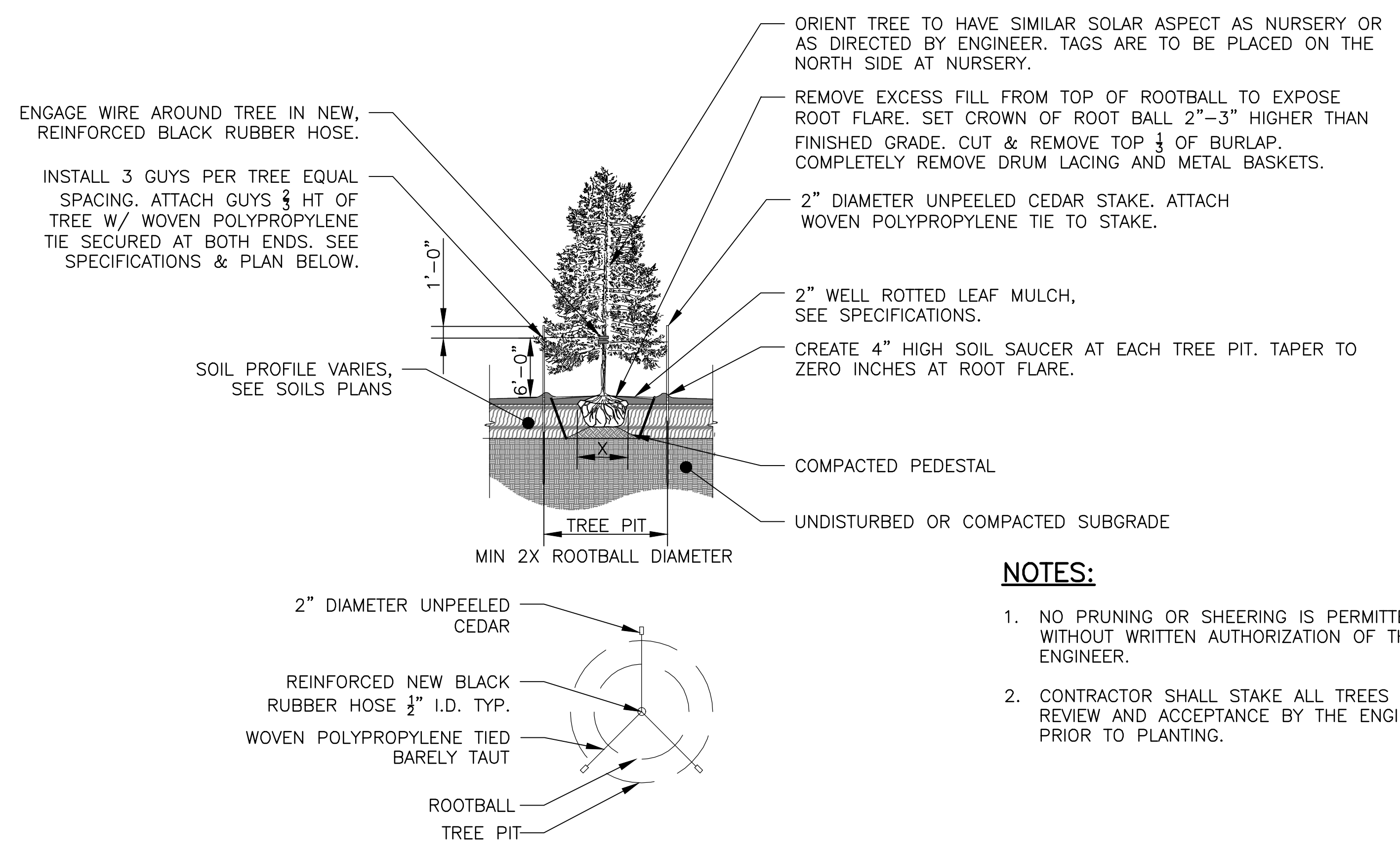
2 DECIDUOUS TREE PLANTING ON SLOPE
 SCALE: 1/8"=1'-0"



NOTES:

1. CONTRACTOR SHALL STAKE ALL TREES FOR REVIEW AND ACCEPTANCE BY THE ENGINEER PRIOR TO PLANTING.

3 TREE PIT PLANTING
 SCALE: 1/8"=1'-0"



NOTES:

1. NO PRUNING OR SHEERING IS PERMITTED WITHOUT WRITTEN AUTHORIZATION OF THE ENGINEER.
2. CONTRACTOR SHALL STAKE ALL TREES FOR REVIEW AND ACCEPTANCE BY THE ENGINEER PRIOR TO PLANTING.

4 EVERGREEN TREE PLANTING
 SCALE: 1/8"=1'-0"

Rev.	Description	Appr.	Date

METROPOLITAN WATER RECLAMATION DISTRICT OF GREATER CHICAGO

CONTRACT 14-253-5F
 FLOOD CONTROL PROJECT ON MIDLOTHIAN CREEK IN ROBBINS, CSA LITTLE CALUMET RIVER WATERSHED

PLANTING DETAILS

Designed by: LH
 Checked by: LH
 Drawn by: LH
 Reviewed by: LH
 Date: FEB 2024
 Scale: AS SHOWN

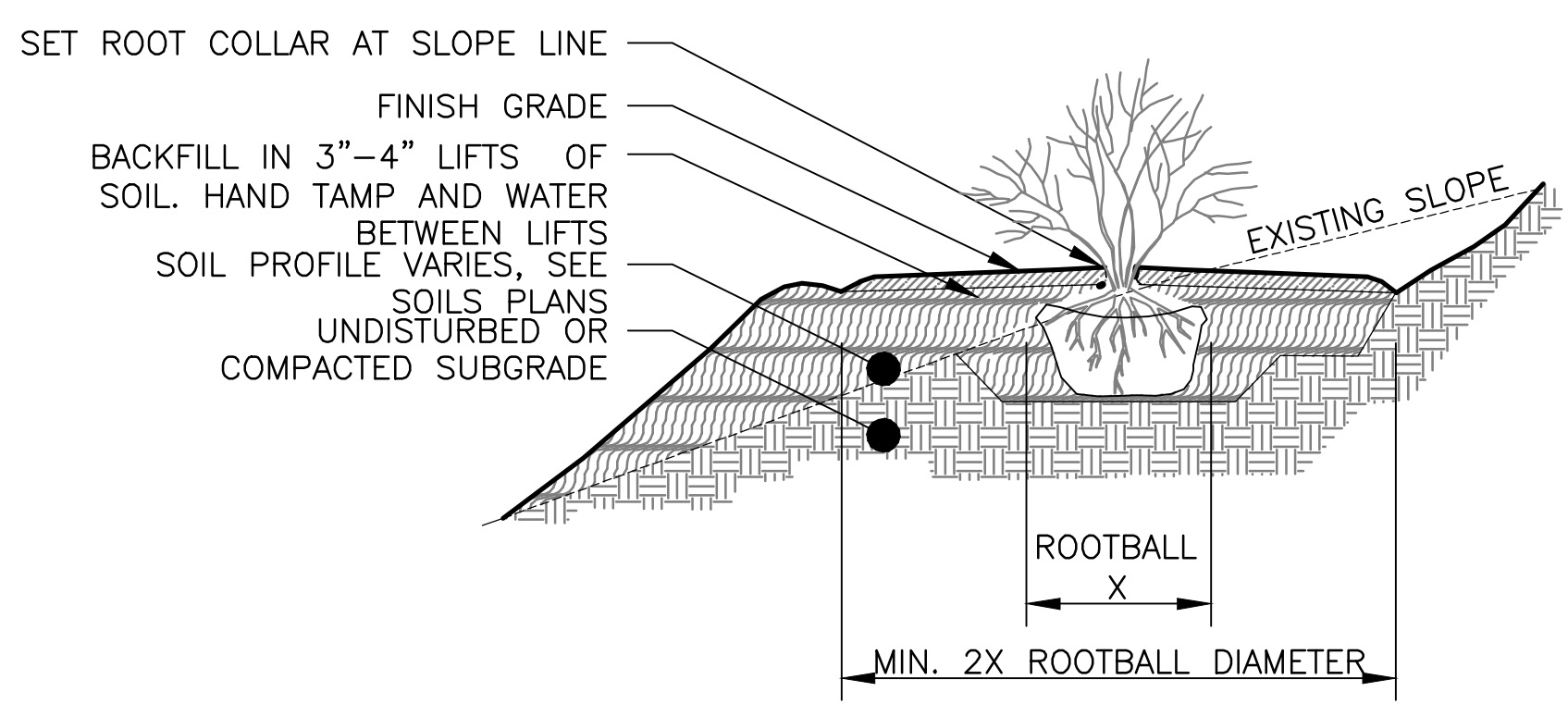
DONOHUE
 CONSULTING ENGINEERS

ZIM
 CONSULTING ENGINEERS

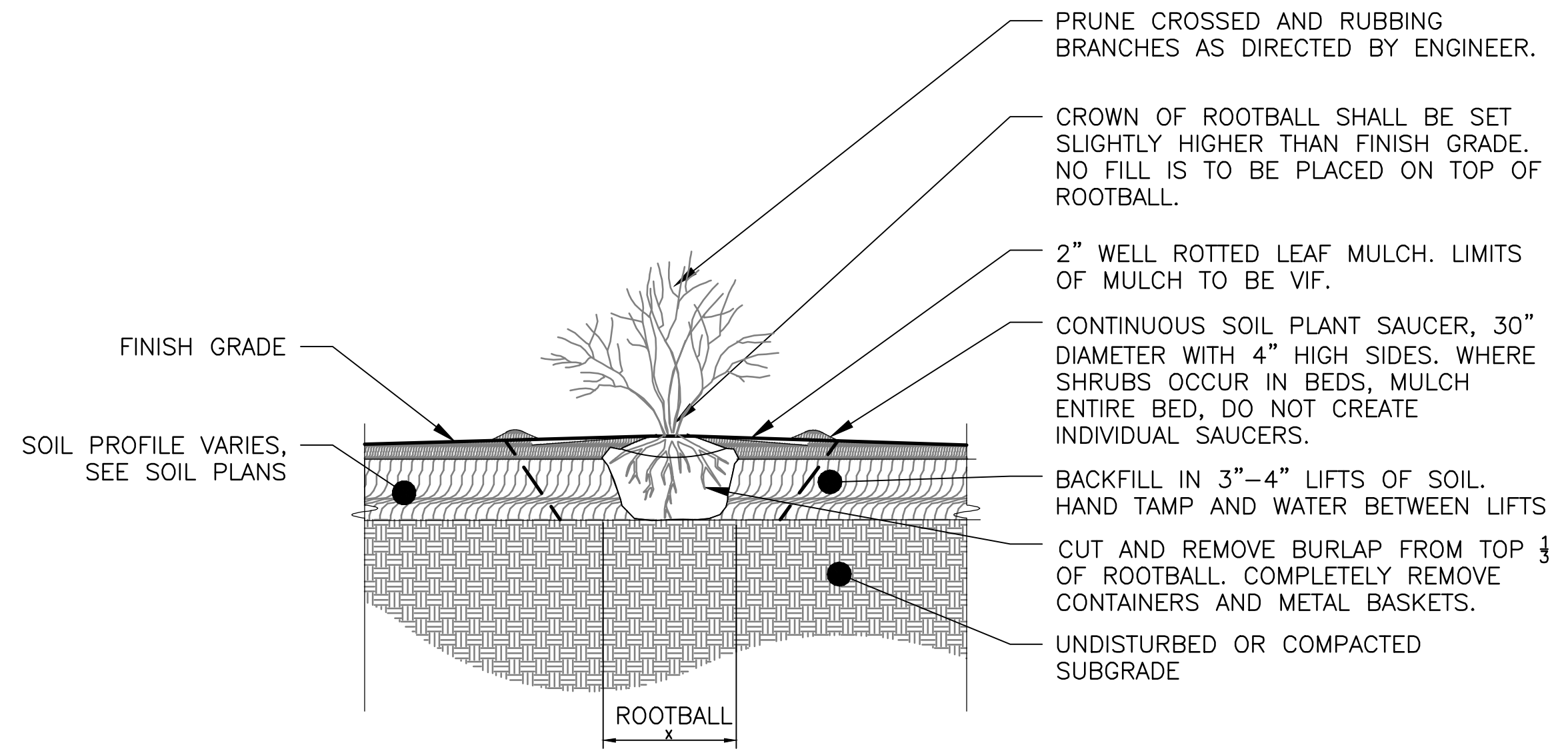
Accurate
 CONSULTING ENGINEERS

LIVING HABITATS

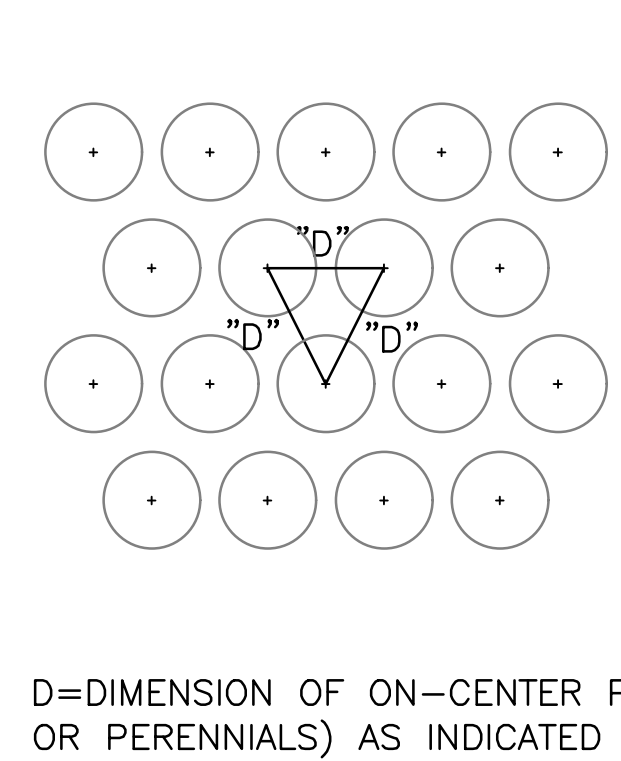
P:\16-105_Robbins Park - MWRD\04_CAD\CAD\14-253-3F\Landscape\Sheets\14-253-BF\LP-502.dwg 1/3/2024 5:10 PM
 PLOT DATE: 2/7/2024 2:56 PM PLOTTED BY: HANNAH CUSICK



1 SHRUB PLANTING ON SLOPE
 SCALE: 1/4"=1'-0"



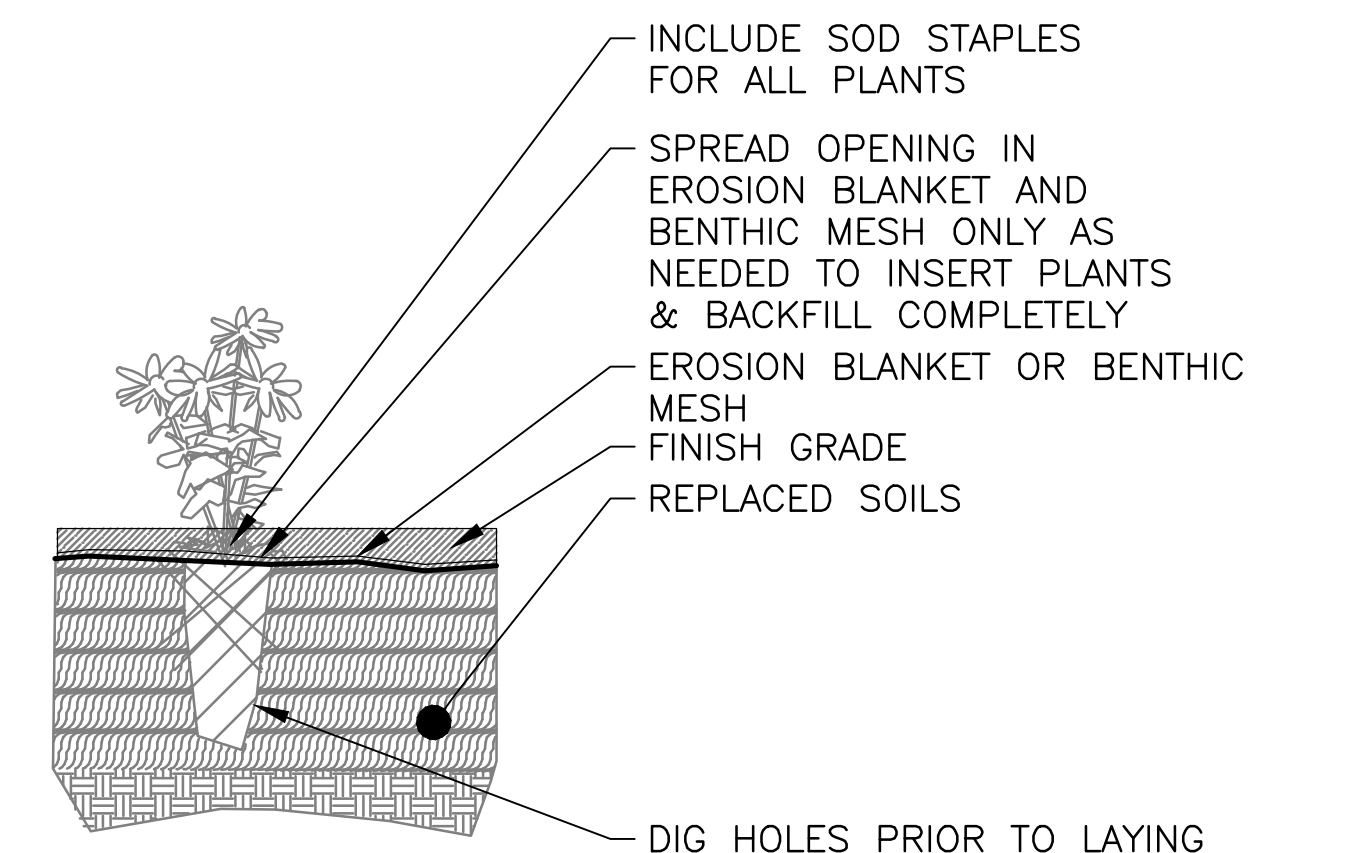
2 SHRUB PLANTING
 SCALE: 1/4"=1'-0"



3 GROUNDCOVER PLANTING/SPACING
 SCALE: 1/2"=1'-0"

NOTES:

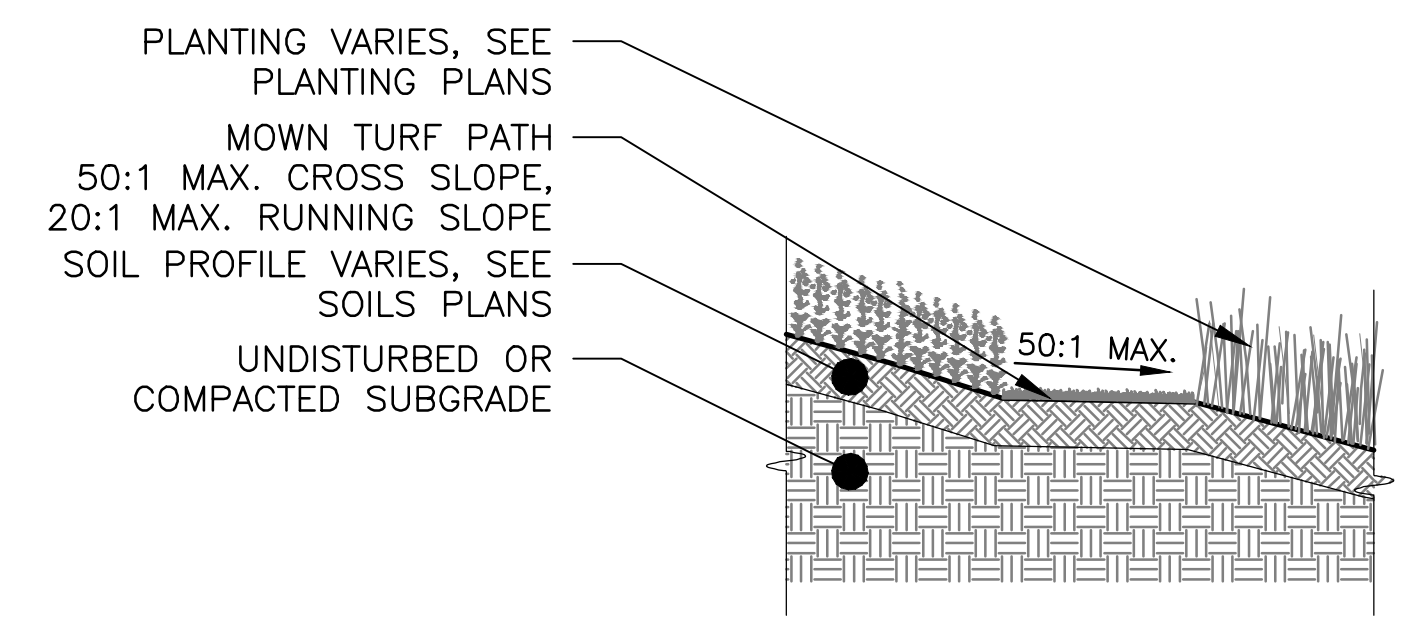
1. PLANTS TO BE SET APPROXIMATELY AS SHOWN, BUT NOT IN FIXED ROWS - SHOULD HAVE A 'NATURAL' APPEARANCE WITH EDGES WHERE TWO BEDS MEET HAVING A 6"-18" OVERLAP WITH SPECIES BY RANDOM INTERMIXING FROM EACH BED.
2. PLANTING LAYOUT TO BE UNDER THE SUPERVISION OF THE ENGINEER.



NOTES:

1. IF HOLES ARE OVERDUG FOR SIZE OF ROOTBALL, REFILL WITH PULVERIZED SOIL PRIOR TO PLACING PLANT AND FIRMLY HAND COMPACT.
2. CUT APART ANY COILED ROOTBALLS PRIOR TO PLANTING.

4 HERBACEOUS PLANTING DETAIL
 SCALE: 1/2"=1'-0"



5 MOWN TURF PATH
 SCALE: 1/4"=1'-0"

Rev.	Description	Appr.	Date

METROPOLITAN WATER RECLAMATION DISTRICT OF GREATER CHICAGO

Designed by: LH
 Checked by: LH
 Drawn by: LH
 Reviewed by: LH
 Date: FEB 2024
 Scale: AS SHOWN

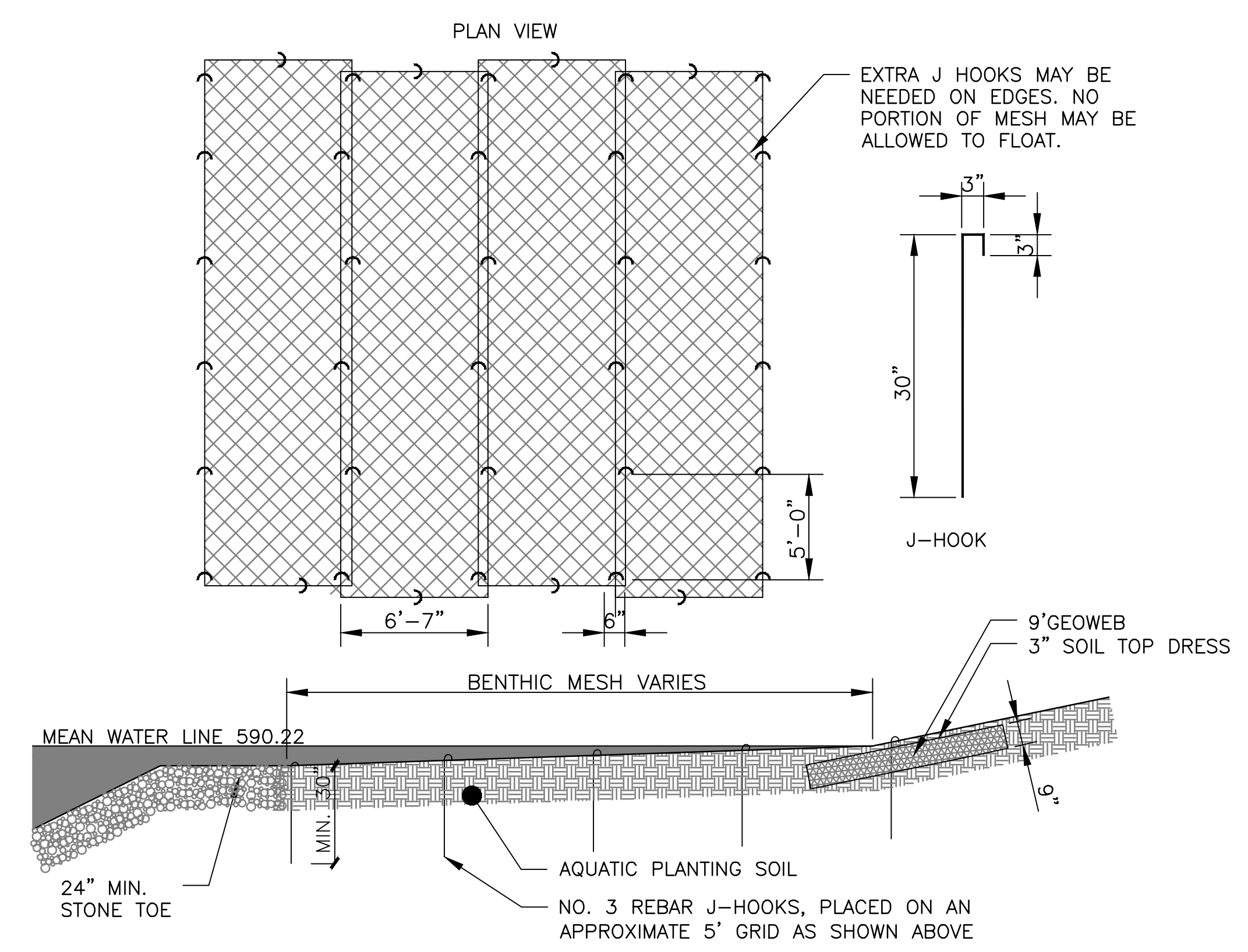
DONOHUE
 CONSULTING ENGINEERS

Accurate
 CONSULTING ENGINEERS

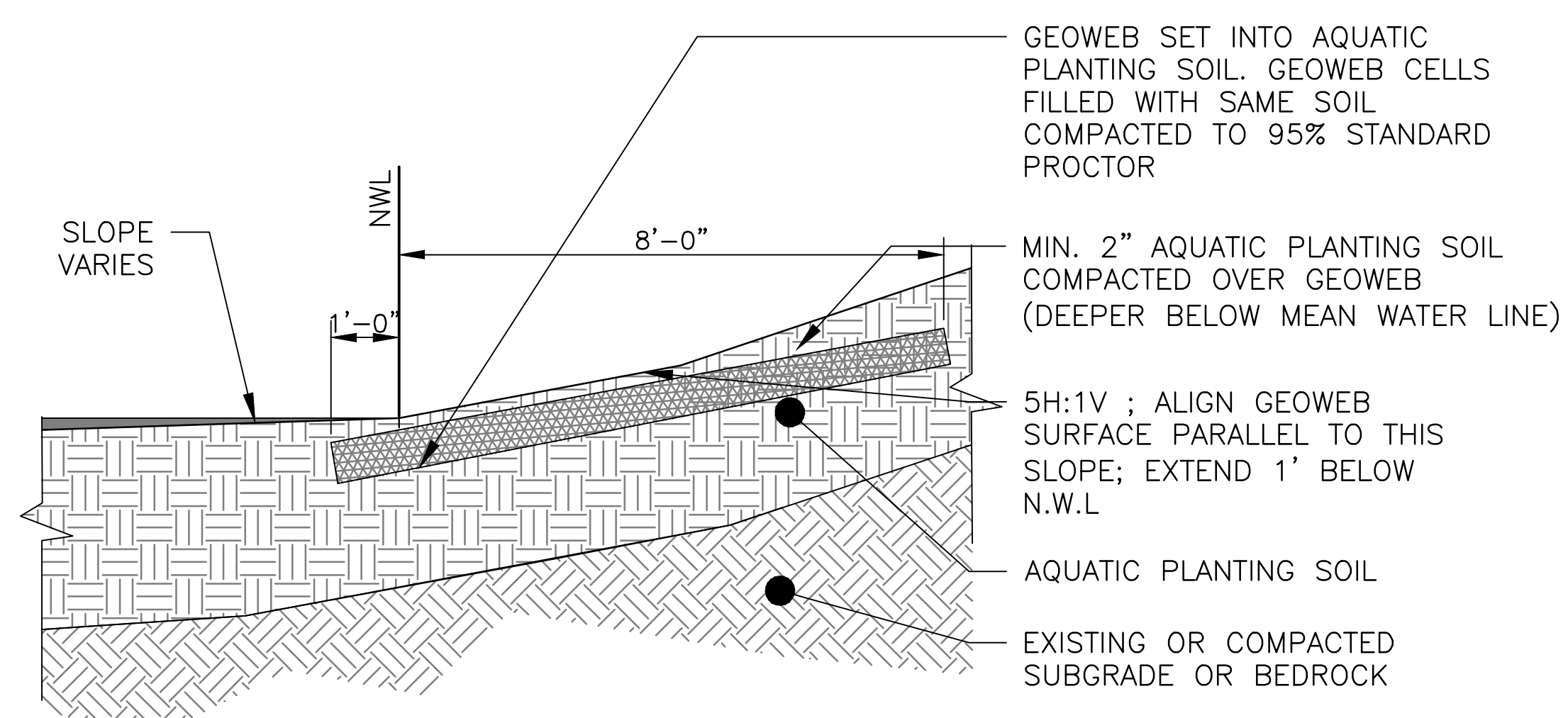
LIVING HABITATS

CONTRACT 14-253-5F
 FLOOD CONTROL PROJECT ON
 MIDLOTHIAN CREEK IN ROBBINS, CSA
 LITTLE CALUMET RIVER WATERSHED
PLANTING DETAILS

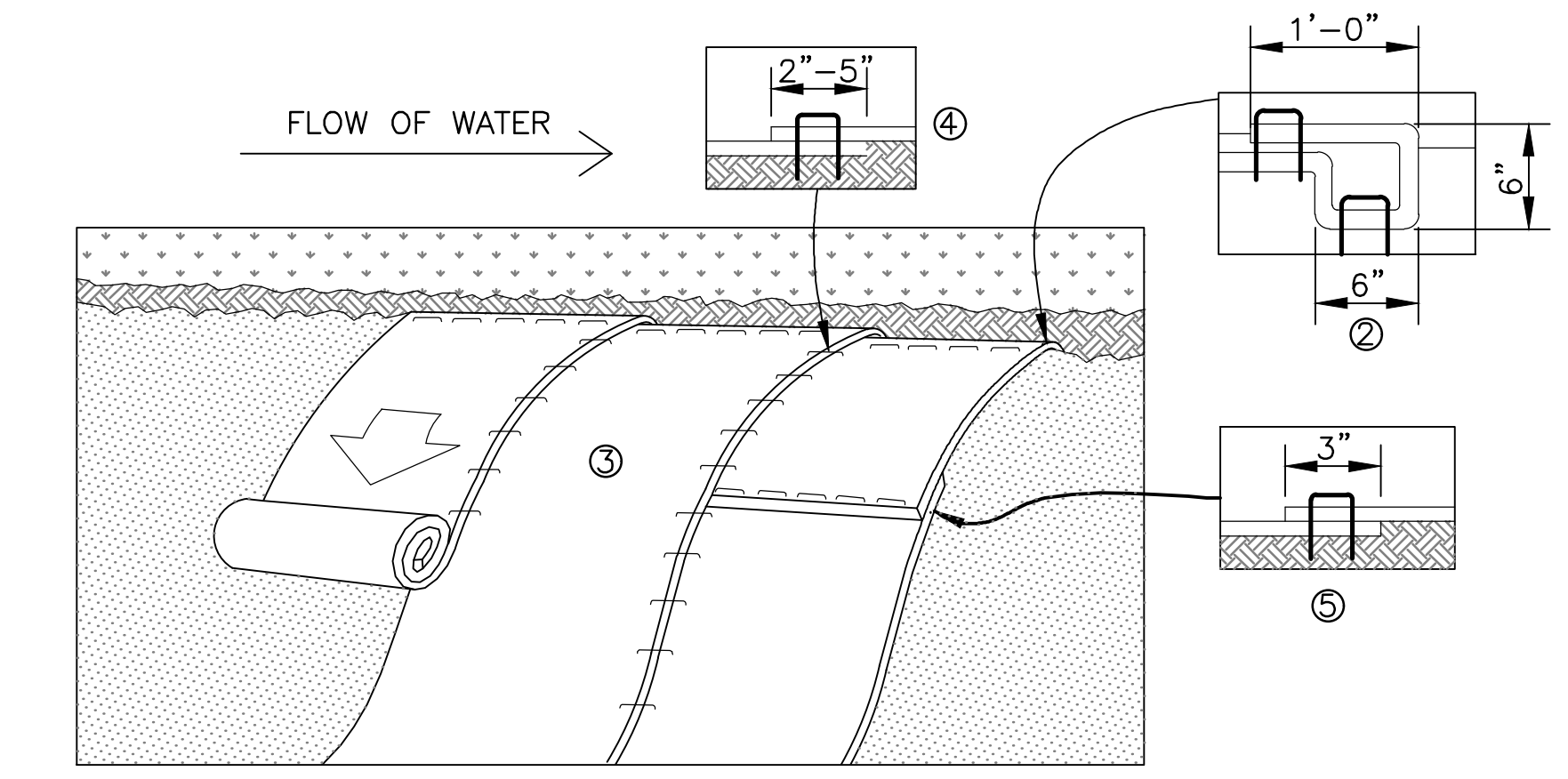
P:\16-105_Robbins Park - MWRD\04_CAD\14-253-3F_Landscape\Sheets\14-253-BF_LP-503.dwg 1/2/2024 3:30 PM
 PLOT DATE: 2/7/2024 2:56 PM PLOTTED BY: HANNAH CUSICK



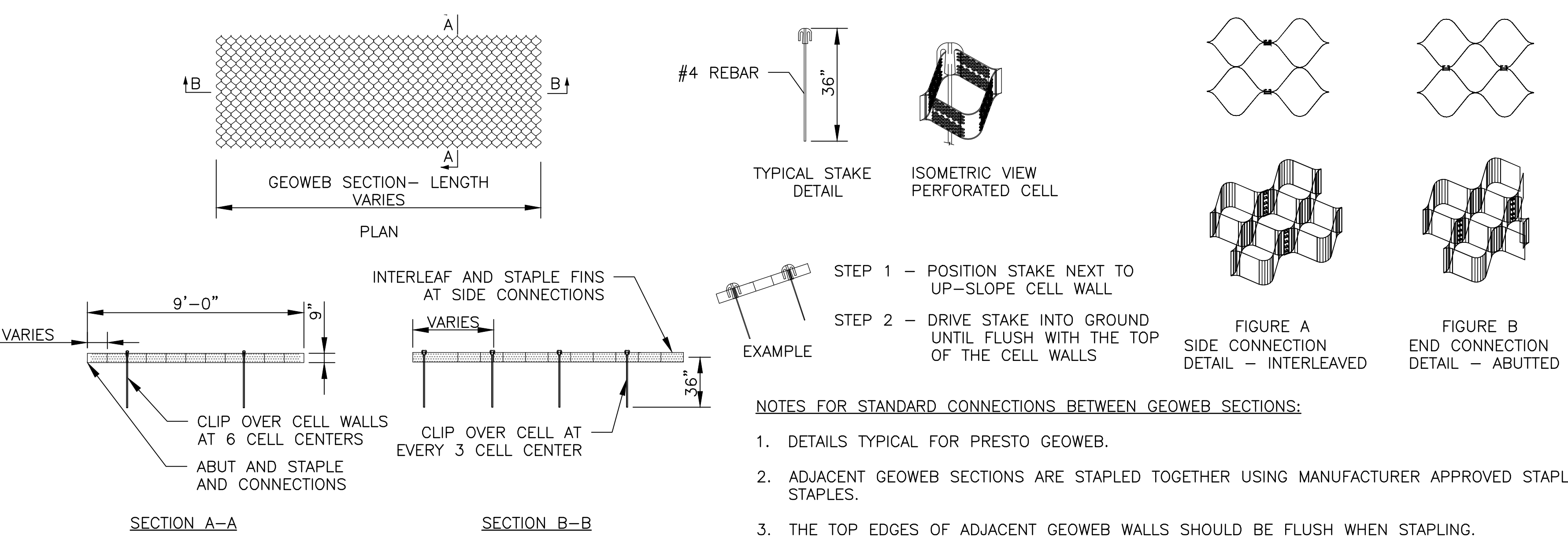
1 BENTHIC MESH PLAN & SECTION
 SCALE: 1"=5'-0"



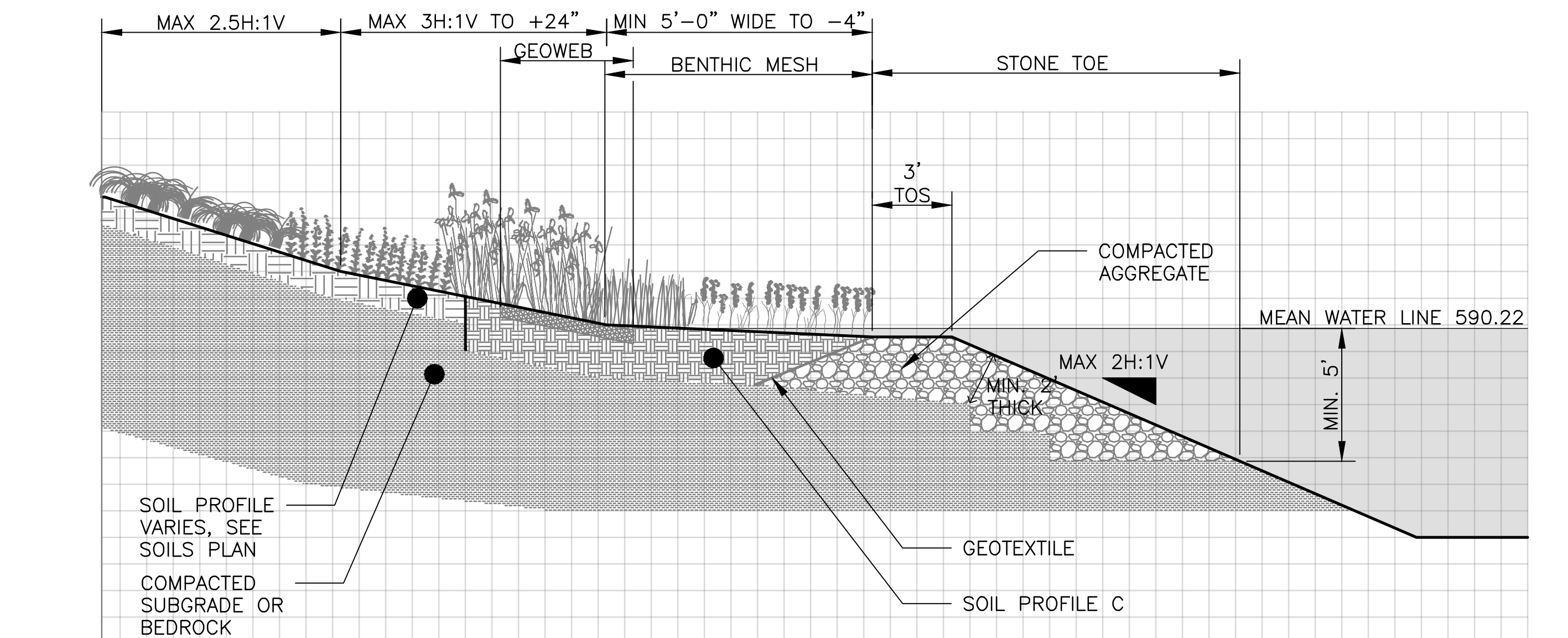
3 GEOWEB CROSS SECTION
 1/2" = 1'-0"



2 EROSION BLANKET
 NOT TO SCALE



4 GEOWEB DETAILS
 NOT TO SCALE



5 SHORELINE CROSS SECTION
 1" = 4'-0"

1. INSTALL PERMANENT EROSION BLANKET AS SHOWN ON PLANS. PLACE AFTER DRILLING PLUG HOLES & PRIOR TO PLANTING.
2. BEGIN PLACING BLANKET AT THE TOP OF THE SLOPE BY ANCHORING THE BLANKET IN A 6" DEEP X 6" WIDE TRENCH WITH APPROXIMATELY 12" OF BLANKET EXTENDED BEYOND THE UP-SLOPE PORTION OF THE TRENCH. ANCHOR THE BLANKET WITH A ROW OF STAPLES/STAKES APPROXIMATELY 12" APART IN THE BOTTOM OF THE TRENCH. BACK FILL AND COMPACT THE TRENCH AFTER STAPLING. SECURE BLANKET OVER COMPACTED SOIL WITH A FEW STAPLES/STAKES SPACED APPROXIMATELY 12" APART ACROSS THE WIDTH OF THE BLANKET. NOTE THAT IN LOOSE SOIL CONDITIONS, THE USE OF STAPLE OR STAKE LENGTHS GREATER THAN 8" MAY BE NECESSARY TO PROPERLY SECURE THE BLANKETS.
3. ROLL THE BLANKETS DOWN THE SLOPE. BLANKETS SHOULD UNROLL WITH APPROPRIATE SIDE AGAINST THE SOIL SURFACE. ALL BLANKETS MUST BE SECURELY FASTENED TO SOIL SURFACE WITH STAPLES; APPROXIMATELY TWO STAPLES PER SQ. YARD.
4. THE EDGES OF PARALLEL BLANKETS MUST BE STAPLED WITH APPROXIMATELY 3" OVERLAP.
5. CONSECUTIVE BLANKETS SPLICED ON THE SLOPE MUST BE PLACED END OVER END (SHINGLE STYLE) WITH AN APPROXIMATE 3" OVERLAP. STAPLE THOROUGH OVERLAPPED AREA, APPROXIMATELY 12" APART ACROSS ENTIRE BLANKET WIDTH.

Rev.	Description	Appr.	Date

METROPOLITAN WATER RECLAMATION DISTRICT OF GREATER CHICAGO

CONTRACT 14-253-5F
 FLOOD CONTROL PROJECT ON
 MIDLOTHIAN CREEK IN ROBBINS, CSA
 LITTLE CALUMET RIVER WATERSHED
SHORELINE DETAILS

Designed by: LH
 Checked by: LH
 Drawn by: LH
 Reviewed by: LH
 Date: FEB 2024
 Scale: AS SHOWN

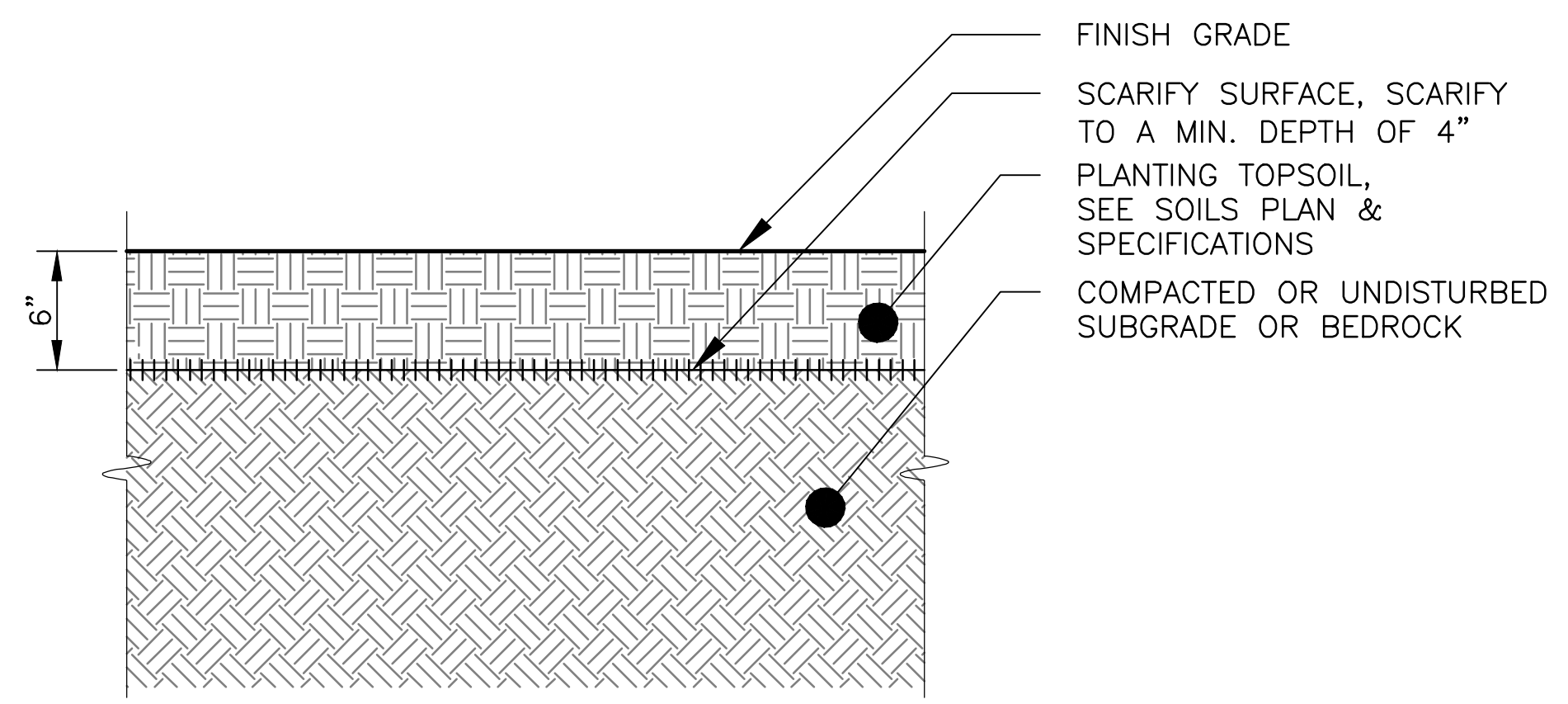
DONOHUE
 CONSULTING ENGINEERS

Accurate
 CONSULTING ENGINEERS

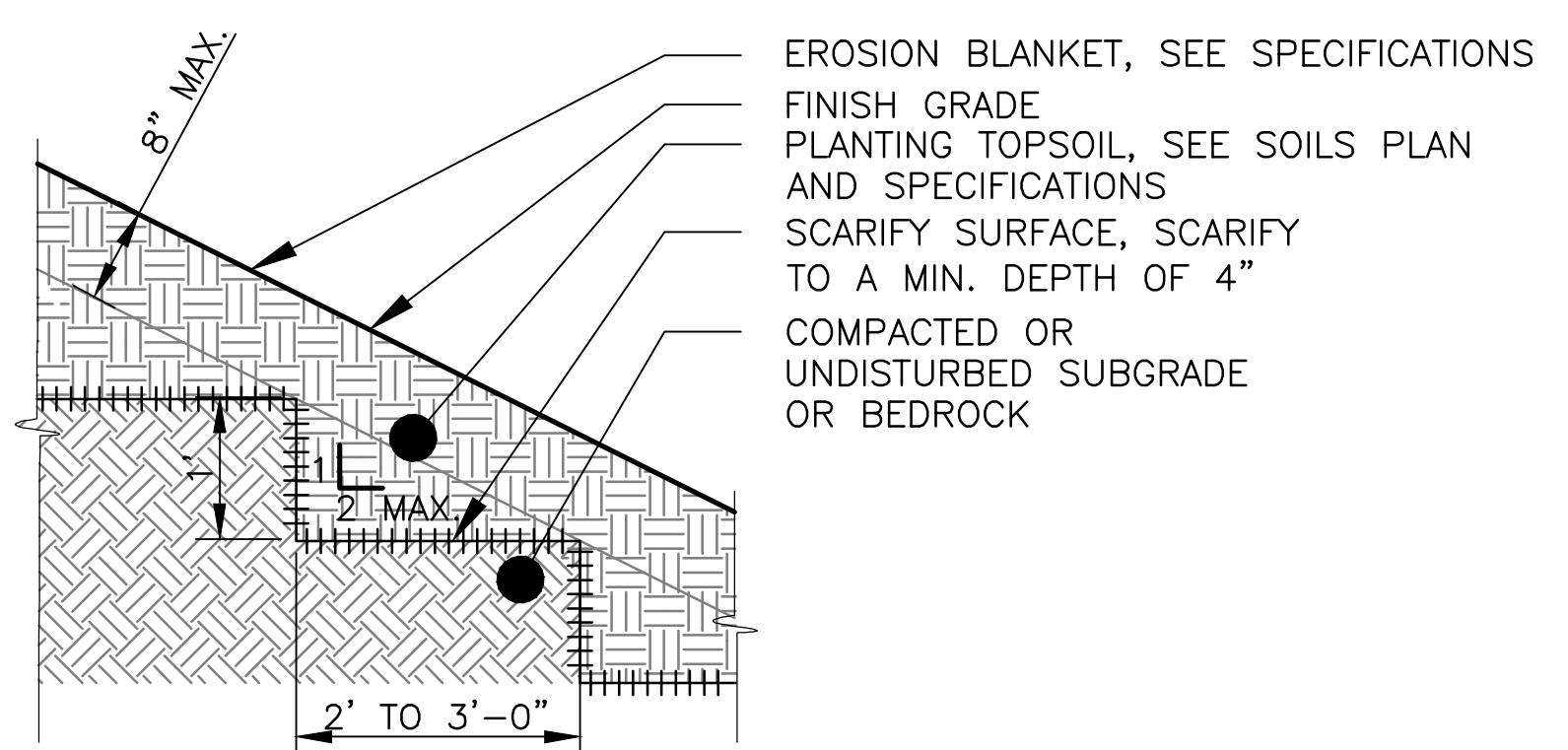
LIVING HABITATS

Sheet Number:
LP-503
 Page Number: 183

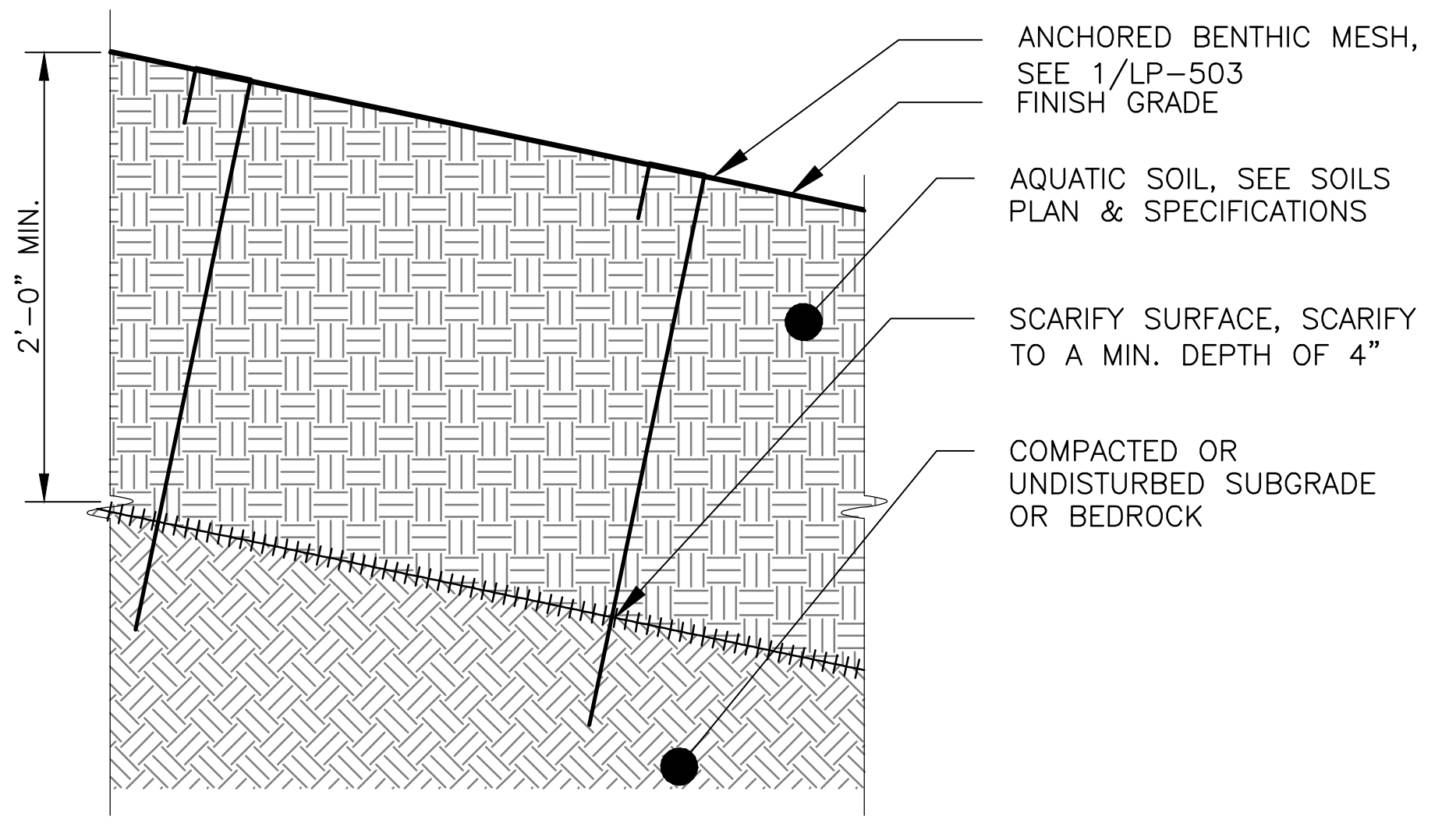
P:\16-105_Robbins Park - MWRD\04_CAD\14-253-3F\Landscape\Sheets\14-253-BF\LP-504.dwg 1/9/2024 4:27 PM
 PLOT DATE: 2/7/2024 2:56 PM PLOTTED BY: HANNAH CUSICK



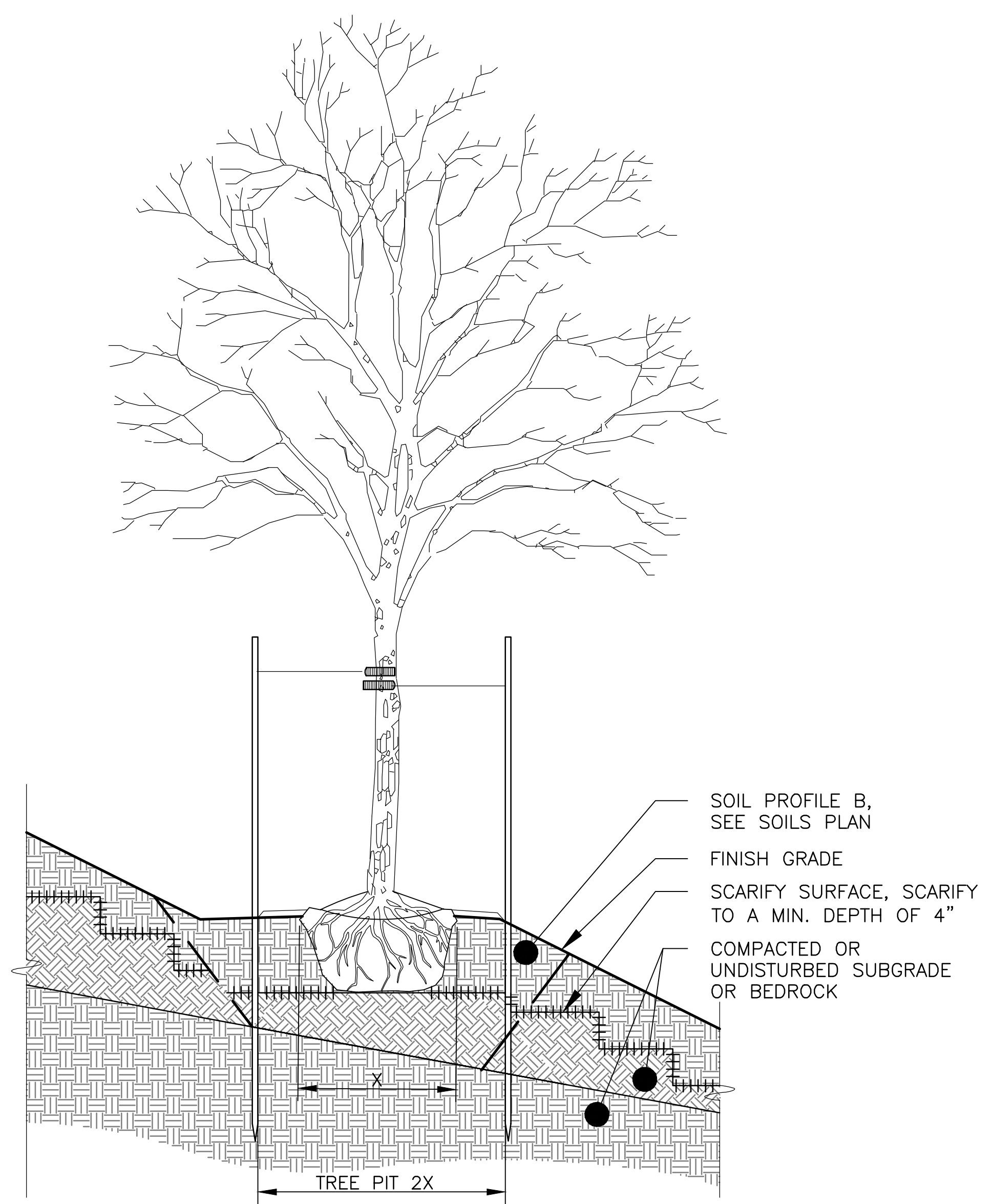
1 SOIL PROFILE A
 SCALE: 1 1/2"=1'-0"



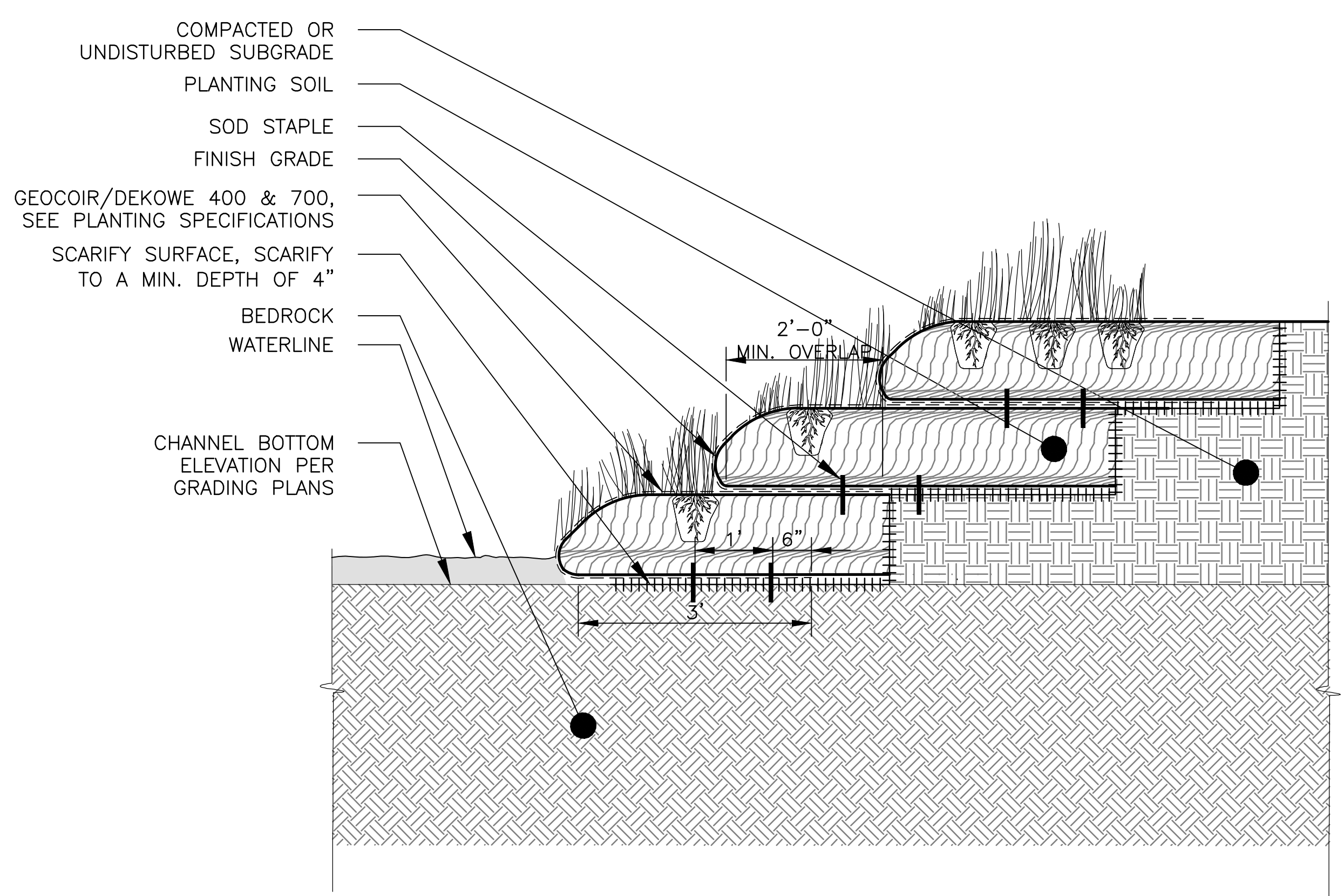
2 SOIL PROFILE B - SUBGRADE STEPPING
 SCALE: 1 1/2"=1'-0"



3 SOIL PROFILE C - AQUATIC PLANTING SOIL
 SCALE: 1 1/2"=1'-0"



4 SOIL PROFILE B - TREE PLANTING ON SLOPE
 SCALE: 3/8"=1'-0"



5 SOIL PROFILE B - SUBGRADE STEPPING
 SCALE: 3/4"=1'-0"

Rev.	Description	Appr.	Date

METROPOLITAN WATER RECLAMATION DISTRICT OF GREATER CHICAGO

CONTRACT 14-253-5F
 FLOOD CONTROL PROJECT ON
 MIDLOTHIAN CREEK IN ROBBINS, CSA
 LITTLE CALUMET RIVER WATERSHED
SOILS DETAILS

Designed by: LH
 Checked by: LH
 Drawn by: LH
 Reviewed by: LH
 Date: FEB 2024
 Scale: AS SHOWN

LIVING HABITATS

DONOHUE
 ACCURATE
 ENGINEERS

ZIM
 ENGINEERS & ASSOCIATES, INC.
 CONSULTING ENGINEERS

Sheet Number:
LP-504

Page Number: 184

P:\13278ch1\Dwg\Structural\14-253-3F\Structural\Sheets\14-253-BF\S-001.dwg 1/29/2024 4:44 PM

FOUNDATIONS

1. GEOTECHNICAL INVESTIGATION JOB NO. 17571R2 DATED 10/30/2019 BY O'BRIEN & ASSOCIATES, INC INCLUDED IN APPENDIX B OF VOLUME 3
NET ALLOWABLE SOIL BEARING CAPACITIES: 50,000 PSF ON BEDROCK, 20,000 PSF ON FRACTURED ROCK, AND 2,000 PSF ON NATIVE SOIL
2. PLACE FOOTINGS ON NATURAL UNDISTURBED EARTH OR STRUCTURAL FILL
3. PLACE FILL AGAINST FOUNDATION WALLS ENCLOSING INTERIOR SPACES AFTER CONSTRUCTION SUCH AS CROSS WALLS, BEAMS OR SLABS ARE IN PLACE TO BRACE WALL AND SUCH CONSTRUCTION HAS REACHED ITS DESIGN STRENGTH.
4. TO MINIMIZE LATERAL FORCES AGAINST THE STRUCTURE DUE TO WEDGING ACTION OF THE SOIL, BEGIN COMPACTION OF EACH LAYER AT THE STRUCTURE WALL.

REINFORCEMENT

1. REINFORCEMENT STEEL
 - A. DEFORMED BARS: ASTM A615 - GRADE 60
 - B. WELDED WIRE REINFORCEMENT (WWR): ASTM A1064
2. UNLESS NOTED OTHERWISE PROVIDE CLEAR COVER FOR REINFORCEMENT AS FOLLOWS:
 - A. CAST AGAINST:
 1. EARTH: 3 INCHES
 2. MUD SLAB: 2 INCHES
 - B. EXPOSED TO EARTH, WEATHER, OR WATER:
 1. SLABS:
 - A. #5 BARS OR SMALLER: 1 1/2 INCHES
 - B. #6 THROUGH #11 BARS: 2 INCHES
 2. WALLS: 2 INCHES
3. PLACE DOWELS BEFORE PLACING CONCRETE.
4. DO NOT FIELD WELD OR FIELD BEND REINFORCING BARS.

CONCRETE

1. DESIGN STRENGTH AT ALL LOCATIONS, EXCEPT WHERE NOTE OTHERWISE
CLASS RA: F'C = 4000 PSI
PROVIDE WATERSTOP IN CONSTRUCTION JOINTS IN LOCATIONS SHOWN ON DRAWINGS.
2. UNLESS NOTED OTHERWISE, CONSTRUCTION JOINTS SHOWN ARE OPTIONAL CONSTRUCTION JOINTS NOT SHOWN SHALL BE APPROVED BY ENGINEER.
3. BEFORE CONCRETE IS PLACED, CONSTRUCTION JOINTS SHALL BE CLEANED, LAITANCE REMOVED, AND SURFACE WETTED. REMOVE STANDING WATER.
4. CONSTRUCTION JOINTS SHALL HAVE ROUGHENED SURFACES. SURFACE SHALL HAVE AMPLITUDE OF 1/4 IN. MIN.
5. PROVIDE 3/4 IN. CHAMFER ON EXTERNAL CORNERS OF EXPOSED EDGES OF CONSTRUCTION JOINTS.

METALS

1. STEEL
 - A. W SHAPES: ASTM A992
 - B. S, C, AND MC SHAPES: ASTM A36
 - C. SQUARE OR RECTANGULAR TUBE: ASTM A500, GRADE B, 46 KSI
 - D. PIPE: ASTM A53
 - E. PLATES AND BARS: ASTM A36
 - F. BOLTED CONNECTIONS FOR STEEL MEMBERS: ASTM F3125, GRADE A325
 - G. BOLTED CONNECTIONS FOR ALUMINUM MEMBERS: STAINLESS STEEL
 - H. STAINLESS STEEL
 1. EXTERIOR AND SUBMERGED USES: AISI, TYPE 316
 2. INTERIOR AND ARCHITECTURAL USES: AISI, TYPE 304
 3. CAST-IN-PLACE ANCHOR BOLTS: AISI, TYPE 316
2. ALUMINUM
 - A. SHAPES AND PLATES: ALLOY 6061-T6 OR 6063-T6
3. ANCHOR BOLTS, 1/2" MINIMUM DIA:
 - A. DRY LOCATIONS: ASTM A307 GALVANIZED
 - B. ALL OTHER LOCATIONS: STAINLESS STEEL
4. WELD STRUCTURAL STEEL WITH E70XX ELECTRODES IN ACCORDANCE WITH AWS REQUIREMENTS.
5. WELD ALUMINUM IN ACCORDANCE WITH AWS AND AA REQUIREMENTS.
6. COAT ALUMINUM SURFACES IN CONTACT WITH CONCRETE IN ACCORDANCE WITH AA REQUIREMENTS. UNDER NO CIRCUMSTANCES SHALL ALUMINUM CONTACT DISSIMILAR METALS.
7. PROVIDE INSULATING BUSHINGS AND/OR GASKETS TO PREVENT CONTACT BETWEEN DISSIMILAR METAL. UNDER NO CIRCUMSTANCES SHALL DISSIMILAR METALS BE IN CONTACT.

MISCELLANEOUS

1. VERIFY PERTINENT EXISTING CONDITIONS AND DIMENSIONS BEFORE STARTING CONSTRUCTION AND/OR FABRICATION.
2. FOR ADDITIONAL OPENINGS, ANCHORS, AND EMBEDDED ITEMS SEE CIVIL DRAWINGS.

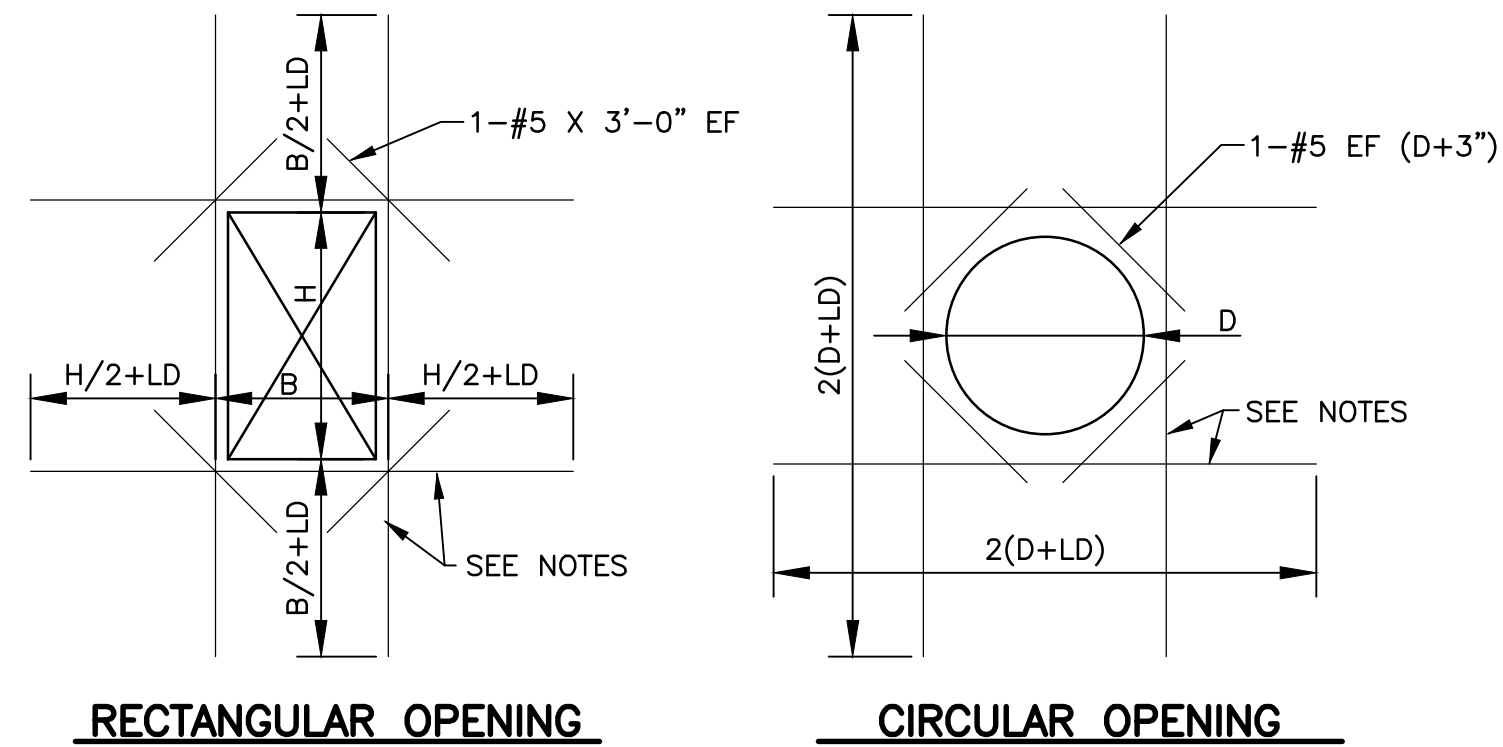
MINIMUM REINFORCEMENT BAR SPLICE AND ANCHORAGE LENGTH (INCHES)

BAR SIZE	LAPPED SPLICE LENGTH		EMBEDMENT LENGTH		COMPRESSION LAP LENGTH
	TOP BARS	OTHERS	TOP BARS	OTHERS	
3	24	19	19	15	12
4	32	25	25	19	15
5	40	31	31	24	19
6	48	37	37	29	23
7	70	54	54	42	26
8	80	62	62	48	30
9	91	70	70	54	34
10	102	78	78	61	38
11	113	87	87	67	42

NOTES:

1. TOP BARS ARE HORIZONTAL BARS SO PLACED THAT MORE THAN 12" OF CONCRETE IS CAST IN THE MEMBER BELOW THE BAR.
2. FOR BARS SPACED LESS THAN 6 BAR DIAMETER OC INCREASE LENGTH BY 25%.
3. WHEN LAPPING TWO DIFFERENT SIZE BARS USE THE LAP LENGTH OF THE SMALLER BAR UNLESS NOTED OTHERWISE.
4. EMBEDMENT LENGTH IS MINIMUM LENGTH OF EMBEDMENT FOR STRAIGHT DOWELS WHERE END HOOK IS NOT SHOWN, UNLESS OTHERWISE NOTED.
5. COMPRESSION LAP LENGTH FOR VERTICAL COLUMN BARS ONLY.
6. HOOKS SHALL BE ACI STANDARD UNLESS OTHERWISE NOTED.
7. FOR EPOXY COATED REINFORCEMENT, INCREASE LENGTH BY 20% FOR TOP BARS AND 50% FOR OTHERS.

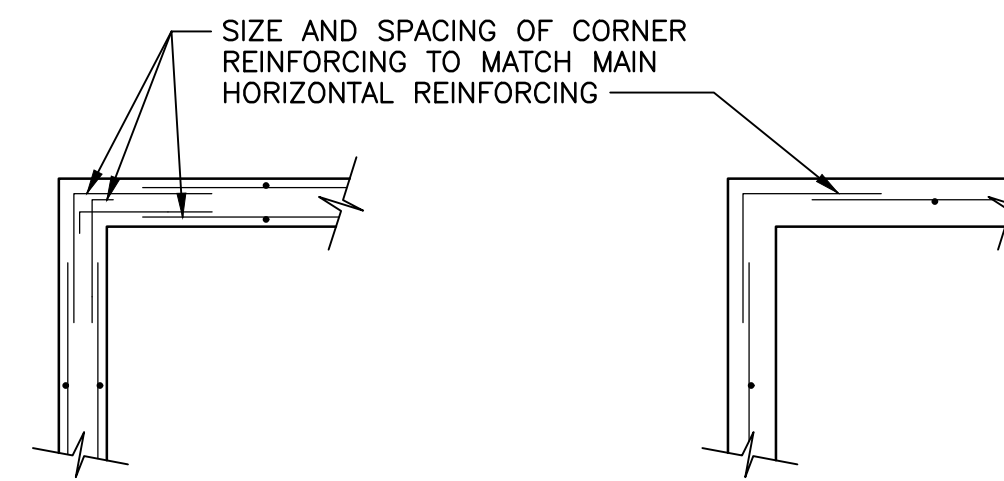
1 MINIMUM REINFORCEMENT BAR SPLICE AND ANCHORAGE LENGTH
Scale: NONE



NOTES:

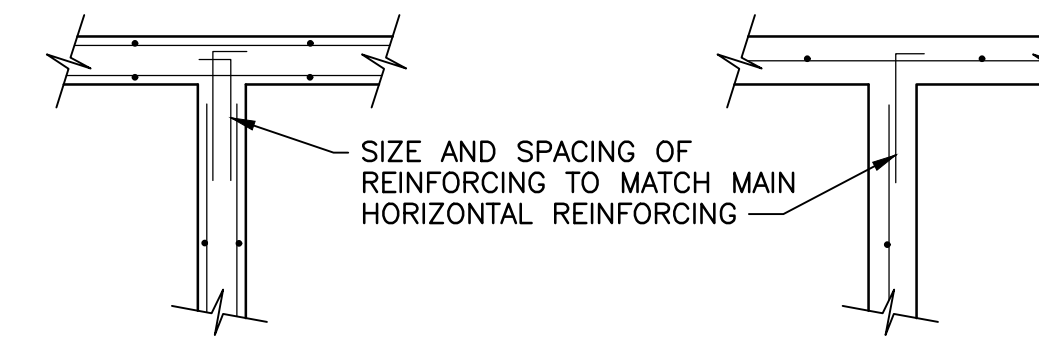
1. THESE DETAILS APPLY TO ALL OPENINGS IN CONCRETE WALLS AND SLABS WHEN THE LARGEST OPENING DIMENSION IS GREATER THAN TWO TIMES SECTION THICKNESS OR GREATER THAN REINFORCING SPACING IN THE SECTION, UNLESS OTHERWISE INDICATED IN THE DRAWINGS.
2. THE AREA OF ADDITIONAL REINFORCING REQUIRED IN EACH FACE ON EACH SIDE OF AN OPENING SHALL EQUAL OR EXCEED ONE-HALF OF THE AREA OF THE INTERCEPTED BARS IN EACH FACE, IN EACH DIRECTION, RESPECTIVELY WITH A MINIMUM OF 1-#5 BAR EACH FACE.
3. PLACE THE ADDED BARS IN THE SAME LAYERS AS THE WALL OR SLAB REINFORCING.
4. LD = EMBEDMENT LENGTH. SEE $\frac{1}{S-501}$

2 ADDITIONAL REINFORCEMENT AT OPENINGS IN WALLS AND SLABS
Scale: NTS



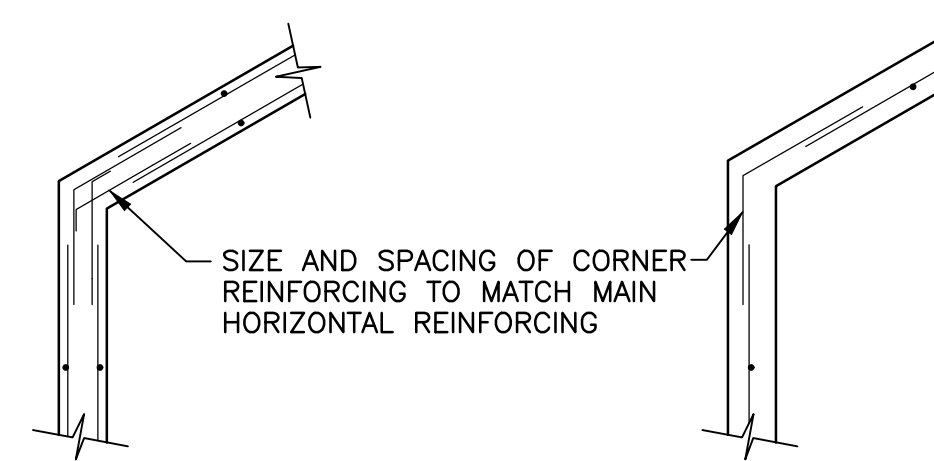
90° CORNER - 2 LAYERS

90° CORNER - 1 LAYER



T-INTERSECTION - 2 LAYERS

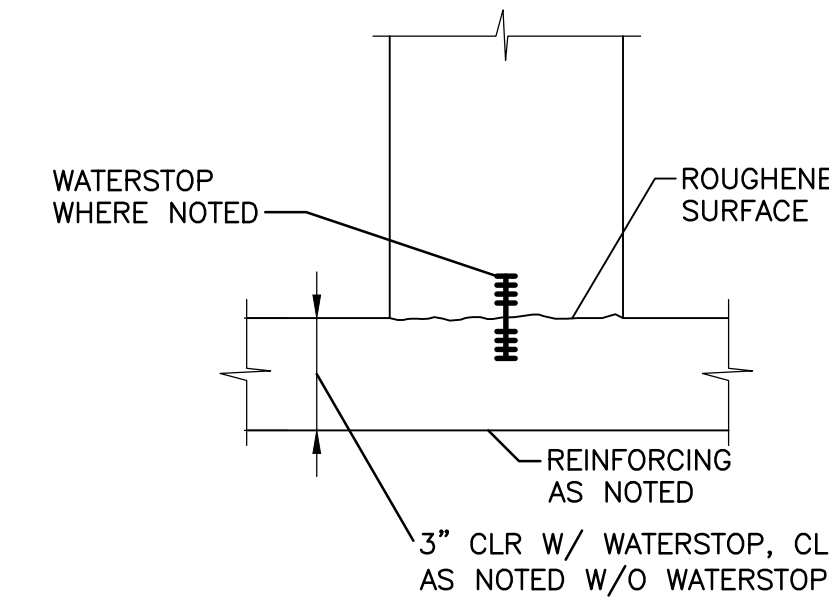
T-INTERSECTION - 1 LAYER



SKewed CORNER - 2 LAYERS

SKewed CORNER - 1 LAYER

3 HORIZONTAL REINFORCEMENT DETAIL
Scale: NTS



BASE OF WALL

4 CONSTRUCTION JOINT DETAILS
Scale: NTS

Rev.	Description	Appr.	Date

METROPOLITAN WATER RECLAMATION DISTRICT
OF GREATER CHICAGO

Designed by: CEE
Checked by: PMS
Drawn by: CEE
Reviewed by: CLS
Date: FEB 2024
Scale: AS SHOWN

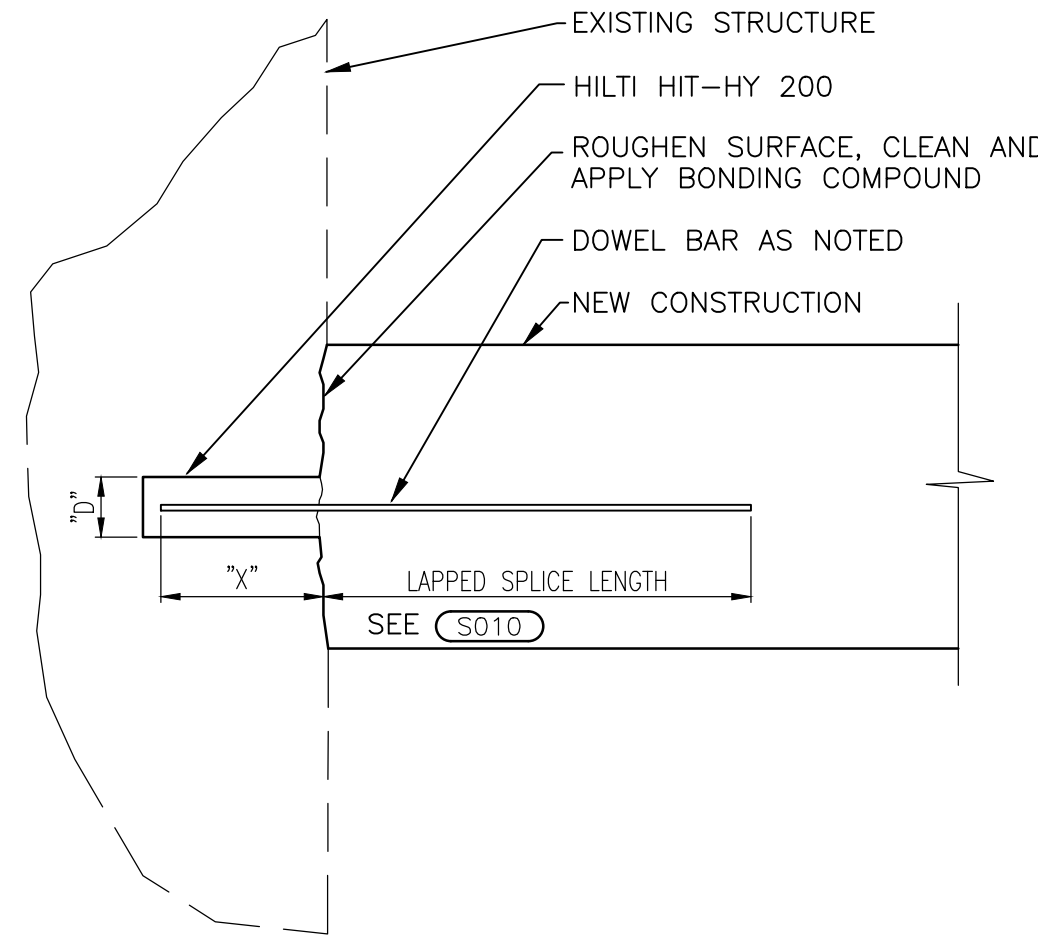
DONOHUE
ACCURATE CONSULTING INC.

ZIM
O&EA
O'BRIEN & ASSOCIATES, INC.
CONSULTING ENGINEERS

LIVING HABITATS

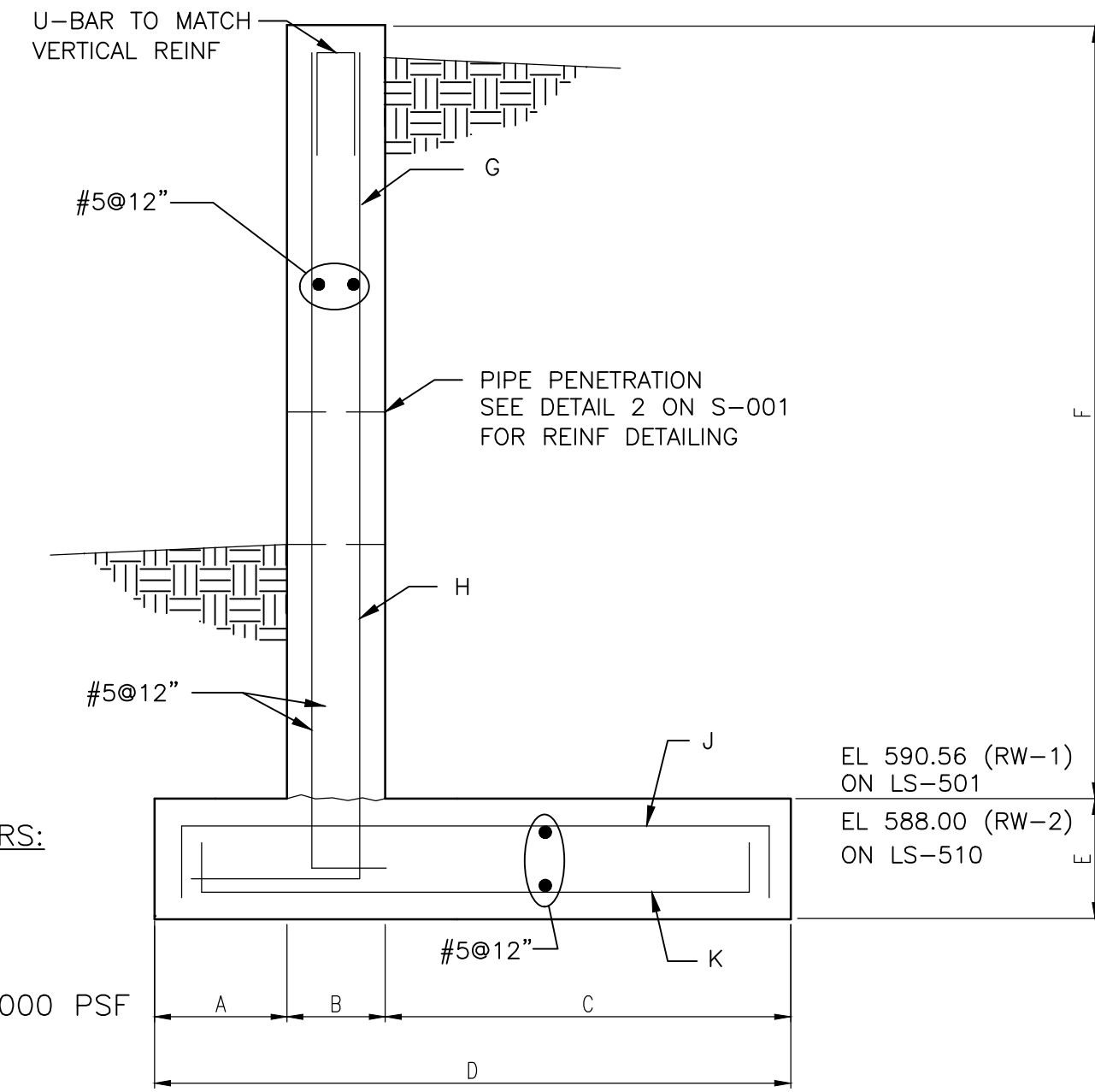
CONTRACT 14-253-5F
FLOOD CONTROL PROJECT ON
MIDLOTHIAN CREEK IN ROBBINS, CSA
LITTLE CALUMET RIVER WATERSHED
STRUCTURAL GENERAL NOTES AND
STANDARD DETAILS

PLOT DATE: 2/7/2024 3:54 PM PLOTTED BY: MADRID, MICHELLE



- NOTES:
1. EMBEDMENT "X"=16 BAR DIAMETERS MIN.
 2. HOLE DIAMETER "D" PER MFR'S REQUIREMENTS.

5 DRILLED IN DOWEL DETAIL
Scale: NTS



RETAINING WALL DESIGN PARAMETERS:
SOIL UNIT WEIGHT: 125 PCF
K_o: 40 PCF/FT
COEFFICIENT OF FRICTION: 0.30
LIVE LOAD SURCHARGE: 300 PSF
ALLOWABLE BEARING PRESSURE: 2000 PSF
MINIMUM FACTORS OF SAFETY: 1.5

SELECTION	A	B	C	D	E	F	BAR G	BAR H	BAR J	BAR K
RW-1	1'-0"	1'-0"	2'-6"	4'-6"	1'-3"	3'-0"	#5@12"	#5@12"	#5@12"	#5@12"
RW-2	1'-0"	1'-0"	2'-6"	4'-6"	1'-0"	3'-6"	#5@12"	#5@12"	#5@12"	#5@12"

7 RETAINING WALL DETAIL
Scale: NTS

Rev.	Description	Appr.	Date

METROPOLITAN WATER RECLAMATION DISTRICT
OF GREATER CHICAGO

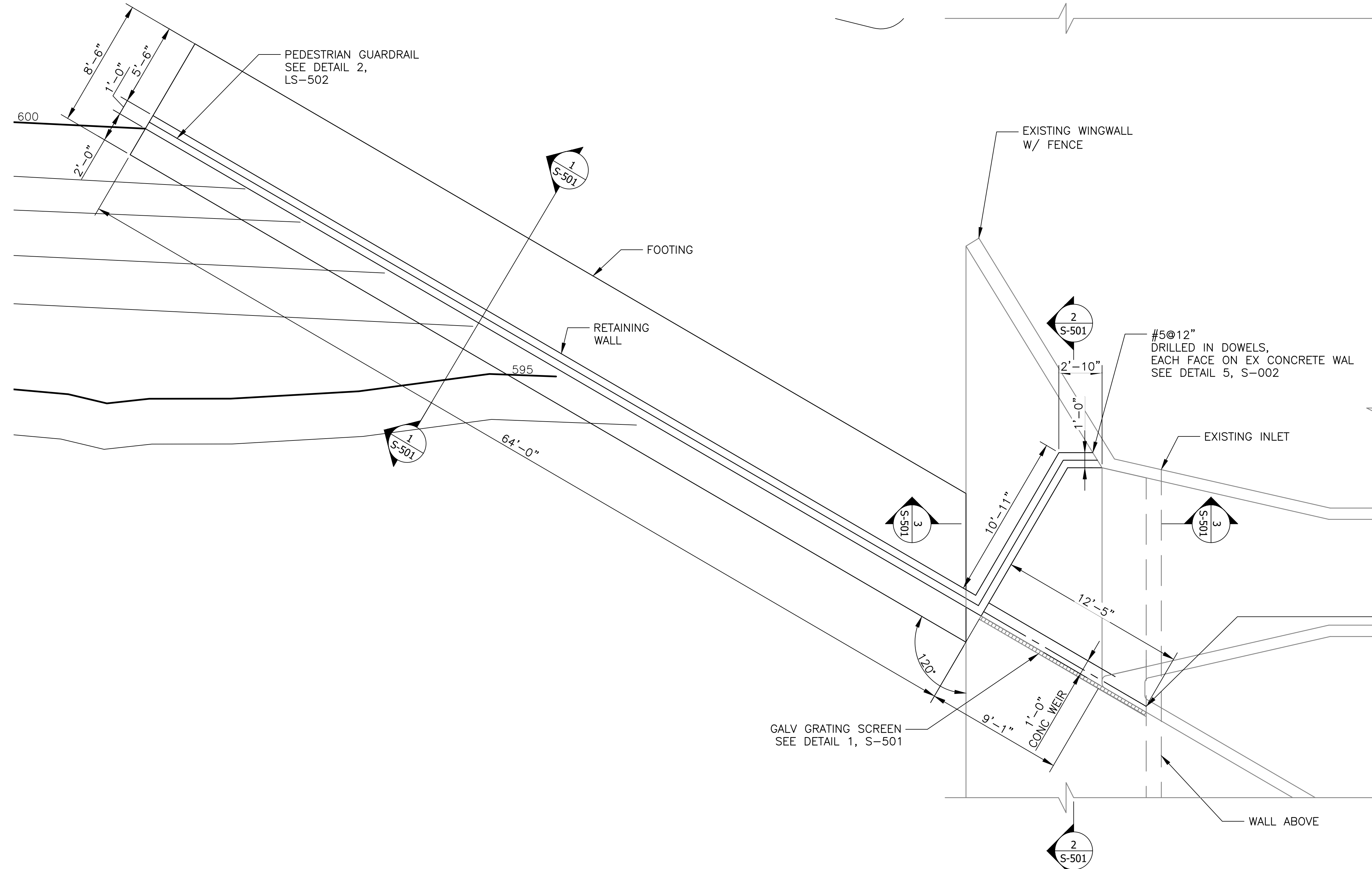
Designed by: CEE
Checked by: PMS
Drawn by: CEE
Reviewed by: CLS
Date: FEB 2024
Scale: AS SHOWN

ILHI
LIVING HABITATS

DONOHUE
ACCURATE CONSULTING ENGINEERS

ZIM
O'NEIL & ASSOCIATES, INC.
CONSULTING ENGINEERS

CONTRACT 14-253-5F
FLOOD CONTROL PROJECT ON
MIDLOTHIAN CREEK IN ROBBINS, CSA
LITTLE CALUMET RIVER WATERSHED
STRUCTURAL STANDARD DETAILS



GENERAL NOTES:

- SEE LG-103, CU-101, AND CU-104 FOR LOCATION OF DIVERSION WEIR.
- DIVERSION WEIR DESIGN PARAMETERS:
 SOIL UNIT WEIGHT: 125 PCF
 K_o: 40 PCF/FT
 COEFFICIENT OF FRICTION: 0.70
 LIVE LOAD SURCHARGE: 300 PSF
 ALLOWABLE BEARING PRESSURE: 2000 PSF
 MINIMUM FACTOR OF SAFETY: 1.5
- CONTRACTOR TO FIELD VERIFY EXISTING CONDITIONS, DIMENSIONS, AND ELEVATIONS PRIOR TO CONSTRUCTION AND/OR FABRICATION.

METROPOLITAN WATER RECLAMATION DISTRICT OF GREATER CHICAGO

DONOHUE

Accurate

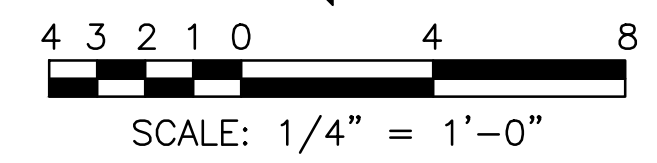
LIVING HABITATS

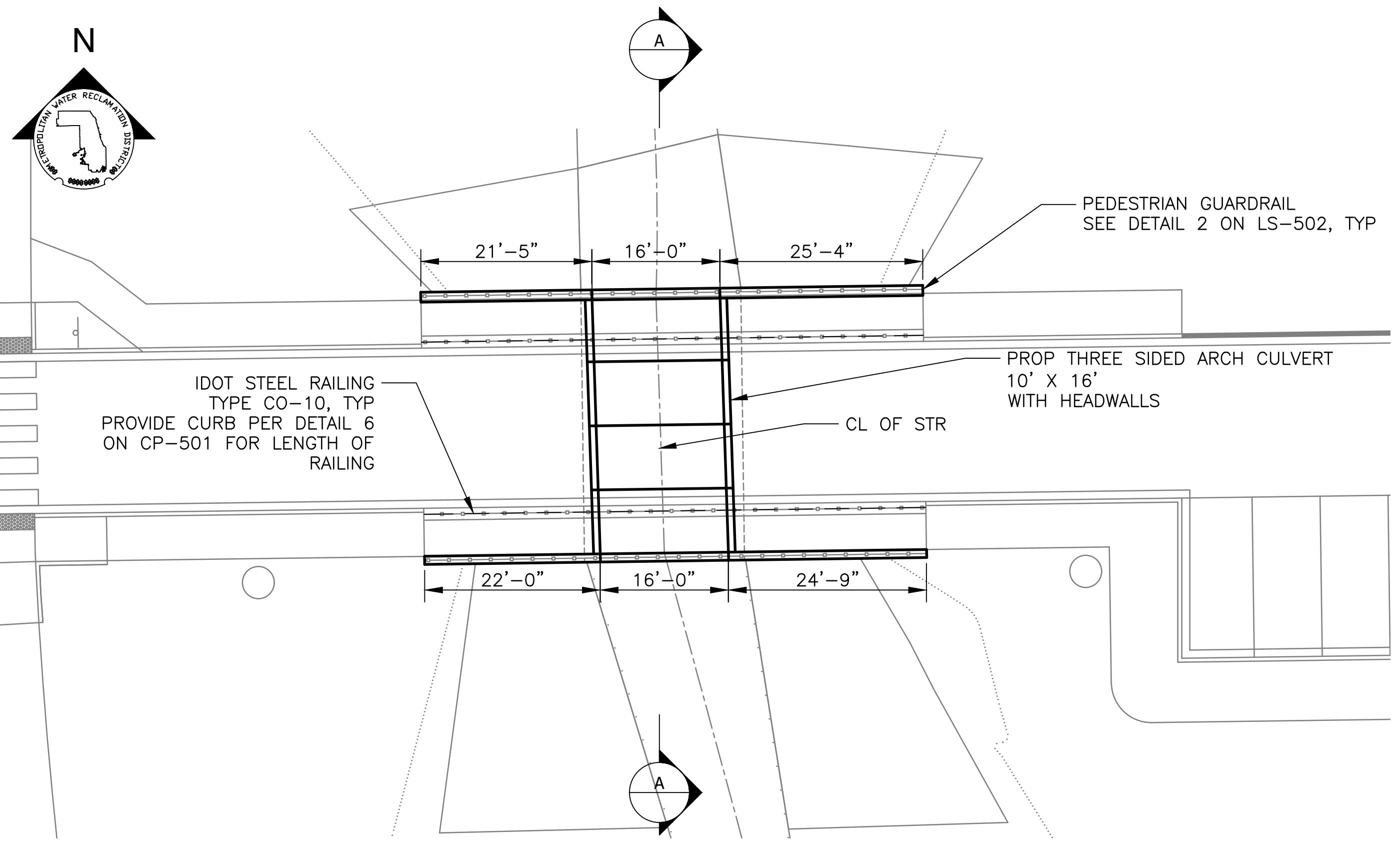
Designed by: CEE	Checked by: PMS
Drawn by: CEE	Reviewed by: CLS
Date: FEB 2024	Scale: AS SHOWN

CONTRACT 14-253-5F
 FLOOD CONTROL PROJECT ON
 MIDLOTHIAN CREEK IN ROBBINS, CSA
 LITTLE CALUMET RIVER WATERSHED
**137TH AND KEDZIE DIVERSION WEIR
 STRUCTURE**

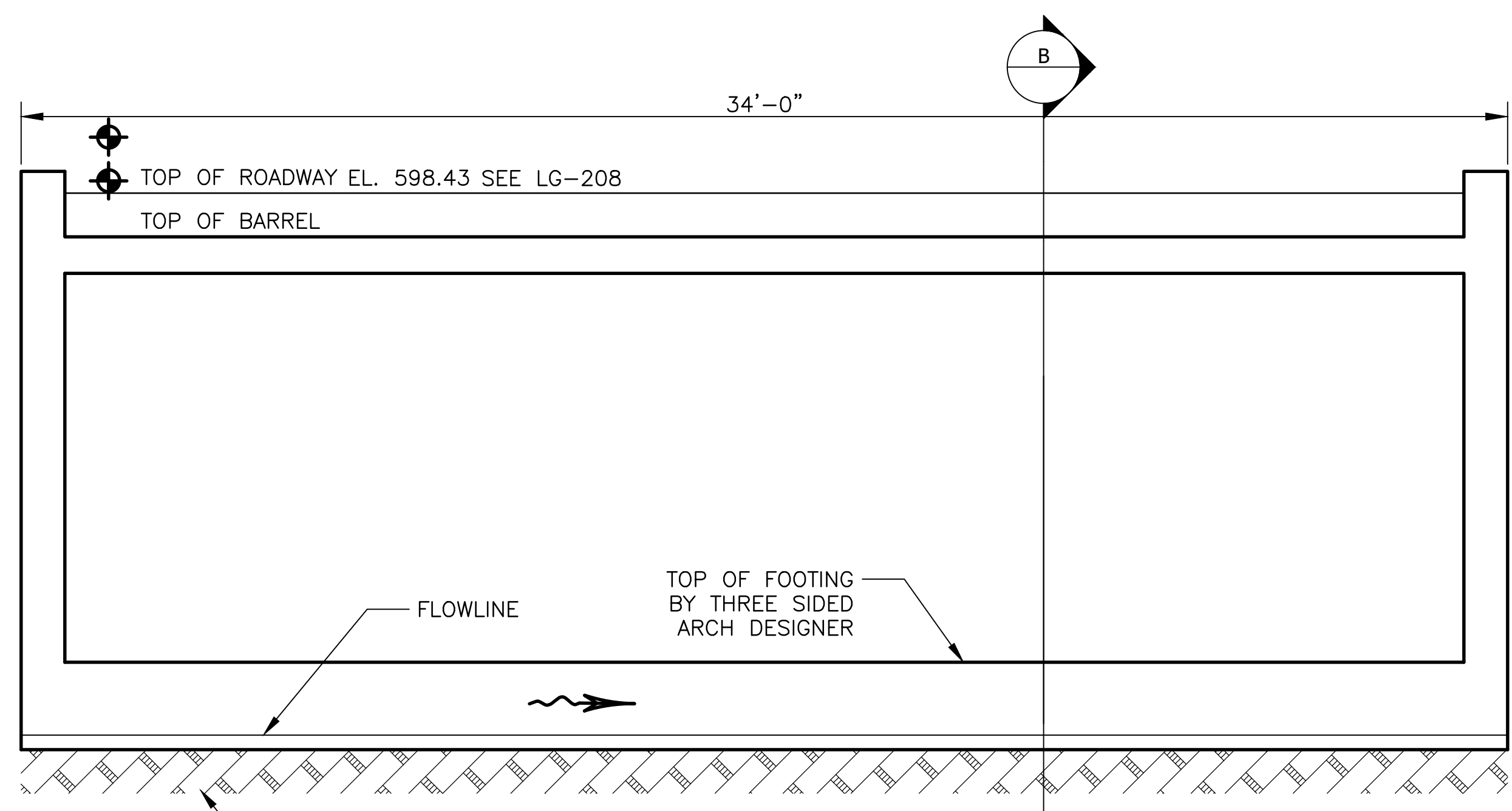
Rev.	Description	Appr.	Date

DIVERSION WEIR PLAN VIEW
 SCALE = 1/4" = 1'-0"

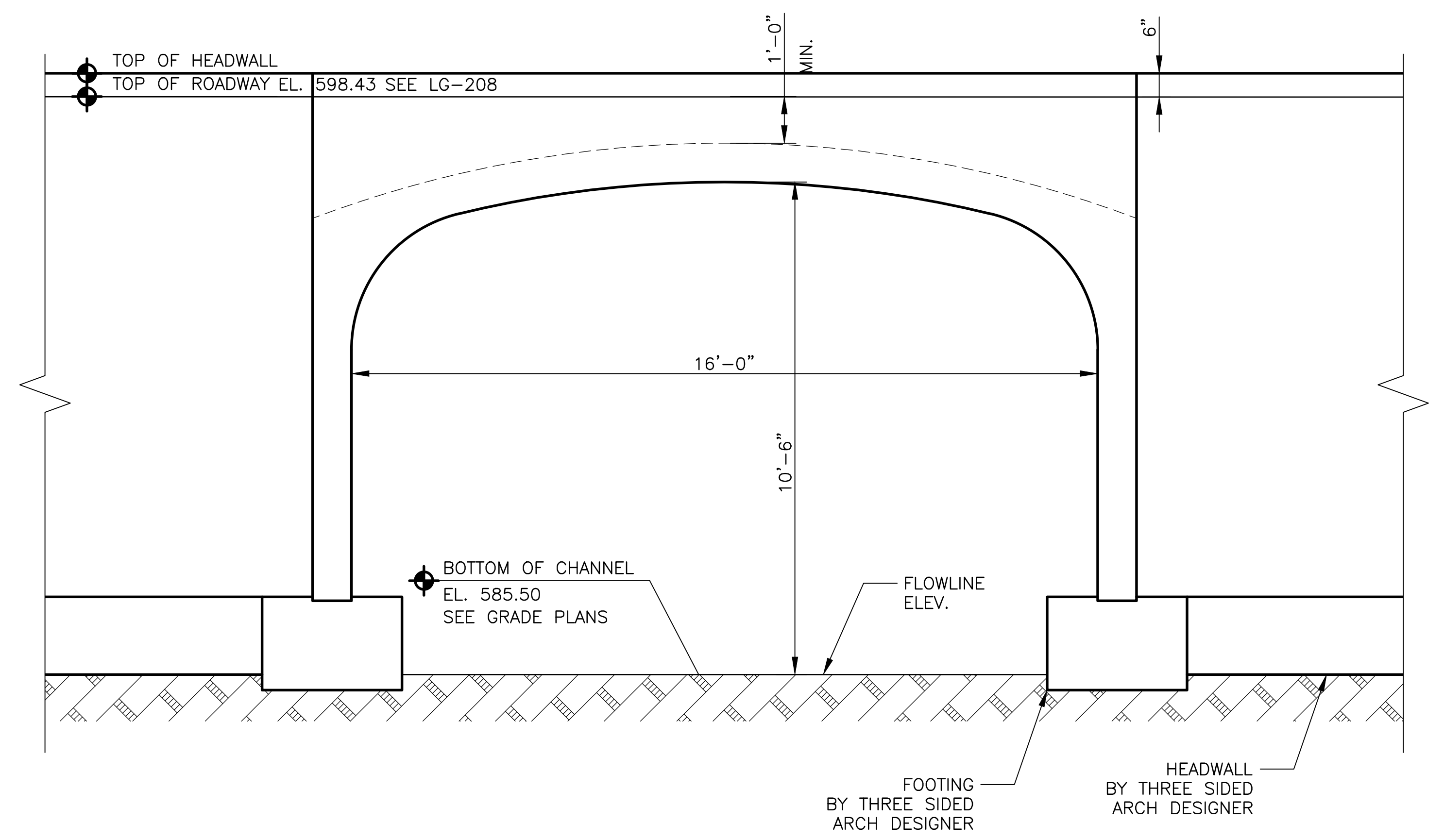




PLAN
SCALE = 1" = 1'-0"
SCALE: 1" = 1'-0"



SECTION A-A
SCALE = 3/8" = 1'-0"
SCALE: 3/8" = 1'-0"



SECTION B-B THRU BARREL
SCALE = 1/2" = 1'-0"
SCALE: 1/2" = 1'-0"

GENERAL NOTES:

- DESIGN, FABRICATION, AND DELIVERY OF THE THREE SIDED ARCH AND FOUNDATION SHALL BE IN ACCORDANCE WITH SPECIFICATION 03 40 00.
- AREA OF CLEAR OPENING OF CULVERT IS 156.3 SQFT.
- CONTRACTOR TO FIELD VERIFY EXISTING CONDITIONS, DIMENSIONS, AND ELEVATIONS PRIOR TO CONSTRUCTION AND/OR FABRICATION.
- THREE SIDED ARCH DESIGN PARAMETERS:

SOIL UNIT WEIGHT: 125 PCF
 Ko: 40 PCF/FT
 COEFFICIENT OF FRICTION: 0.70
 LIVE LOAD SURCHARGE: TRAFFIC
 ALLOWABLE BEARING PRESSURE: 50,000 PSF
 MINIMUM FACTOR OF SAFETY: 1.5

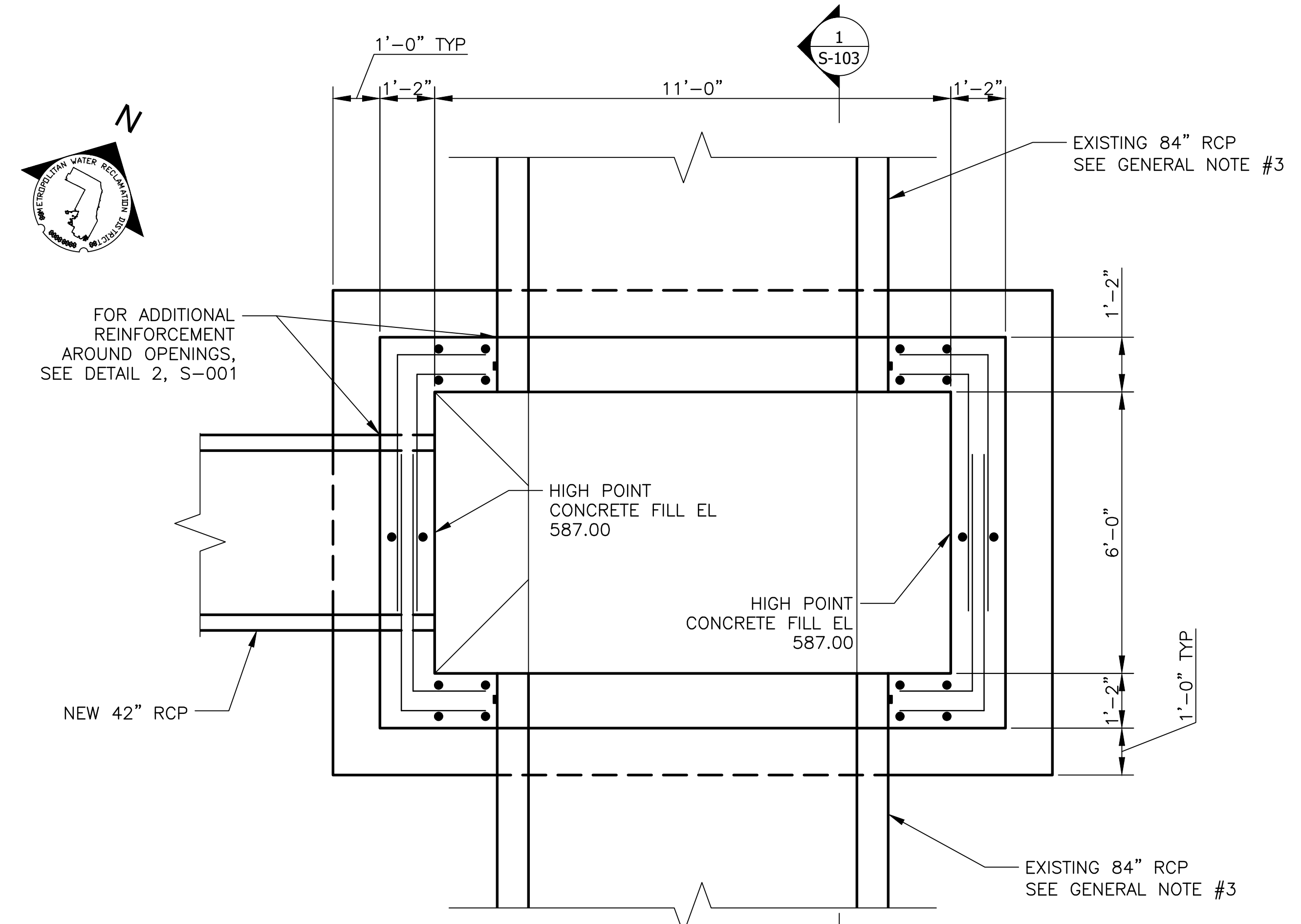
Rev.	Description	Appr.	Date

METROPOLITAN WATER RECLAMATION DISTRICT
OF GREATER CHICAGO

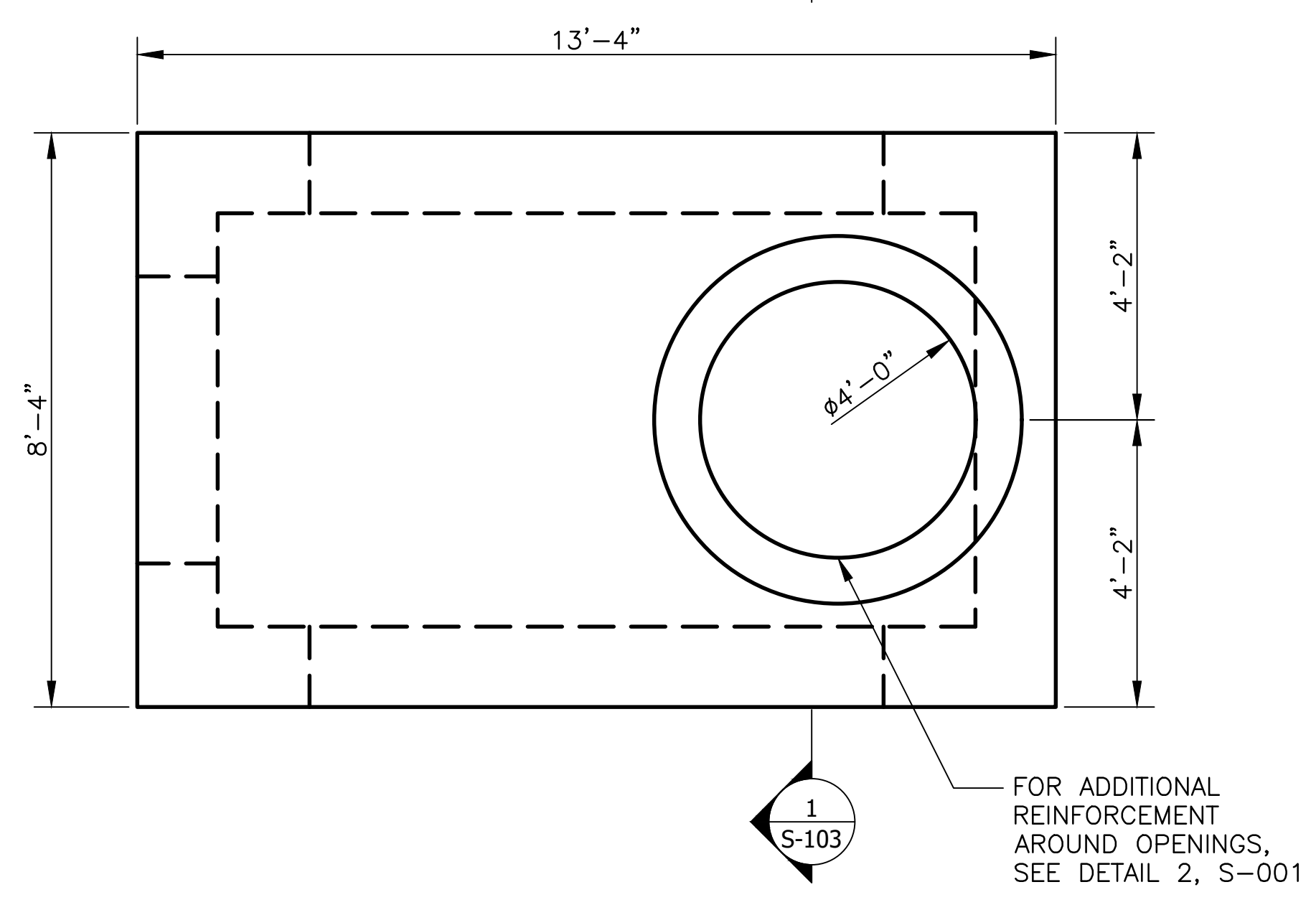
Designed by: CEE	Checked by: PMS
Drawn by: CEE	Reviewed by: CLS
Date: FEB. 2024	Scale: AS SHOWN

LIVING HABITATS
DONOHUE ACCURATE CONSULTING ENGINEERS

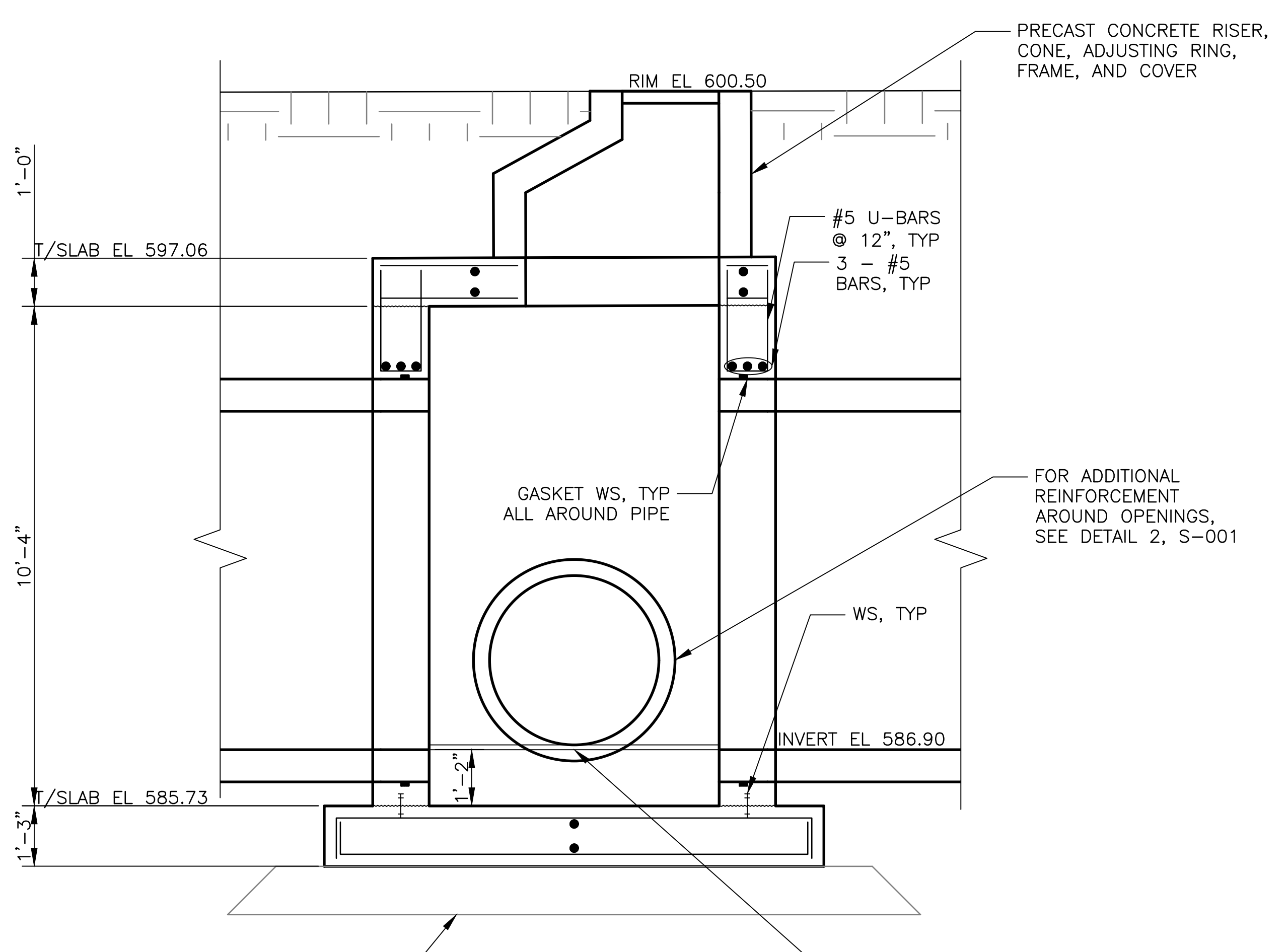
CONTRACT 14-253-5F
 FLOOD CONTROL PROJECT ON
 MIDLOTHIAN CREEK IN ROBBINS, CSA
 LITTLE CALUMET RIVER WATERSHED
STORMWATER PARK ACCESS
 BRIDGE DETAILS



LOWER PLAN
 SCALE = 1/2" = 1'-0"
 1 0 1 2 3 4 5
 SCALE: 1/2" = 1'-0"



UPPER PLAN
 SCALE = 1/2" = 1'-0"
 1 0 1 2 3 4 5
 SCALE: 1/2" = 1'-0"



SECTION 1
 SCALE = 1/2" = 1'-0"
 1 0 1 2 3 4 5
 SCALE: 1/2" = 1'-0"

- GENERAL NOTES:**
- ALL REINFORCEMENT SHOWN IS #5@12" UNLESS NOTED OTHERWISE.
 - CONTRACTOR TO FIELD VERIFY EXISTING CONDITIONS, DIMENSIONS, AND ELEVATIONS PRIOR TO CONSTRUCTION AND/OR FABRICATION.
 - REMOVE PIPE WITHIN THE CONCRETE JUNCTION BOX AFTER THE BOTTOM SLAB AND WALLS HAVE CURED.
 - JUNCTION VAULT DESIGN PARAMETERS
 SOIL UNIT WEIGHT: 125 PCF
 LATERAL EARTH PRESSURE: 125 PCF/FT
 LIVE LOAD SURCHARGE: 300 PSF
 ALLOWABLE BEARING PRESSURE: 2,000 PSF
 MINIMUM FACTOR OF SAFETY: 1.5

Rev.	Description	Appr.	Date

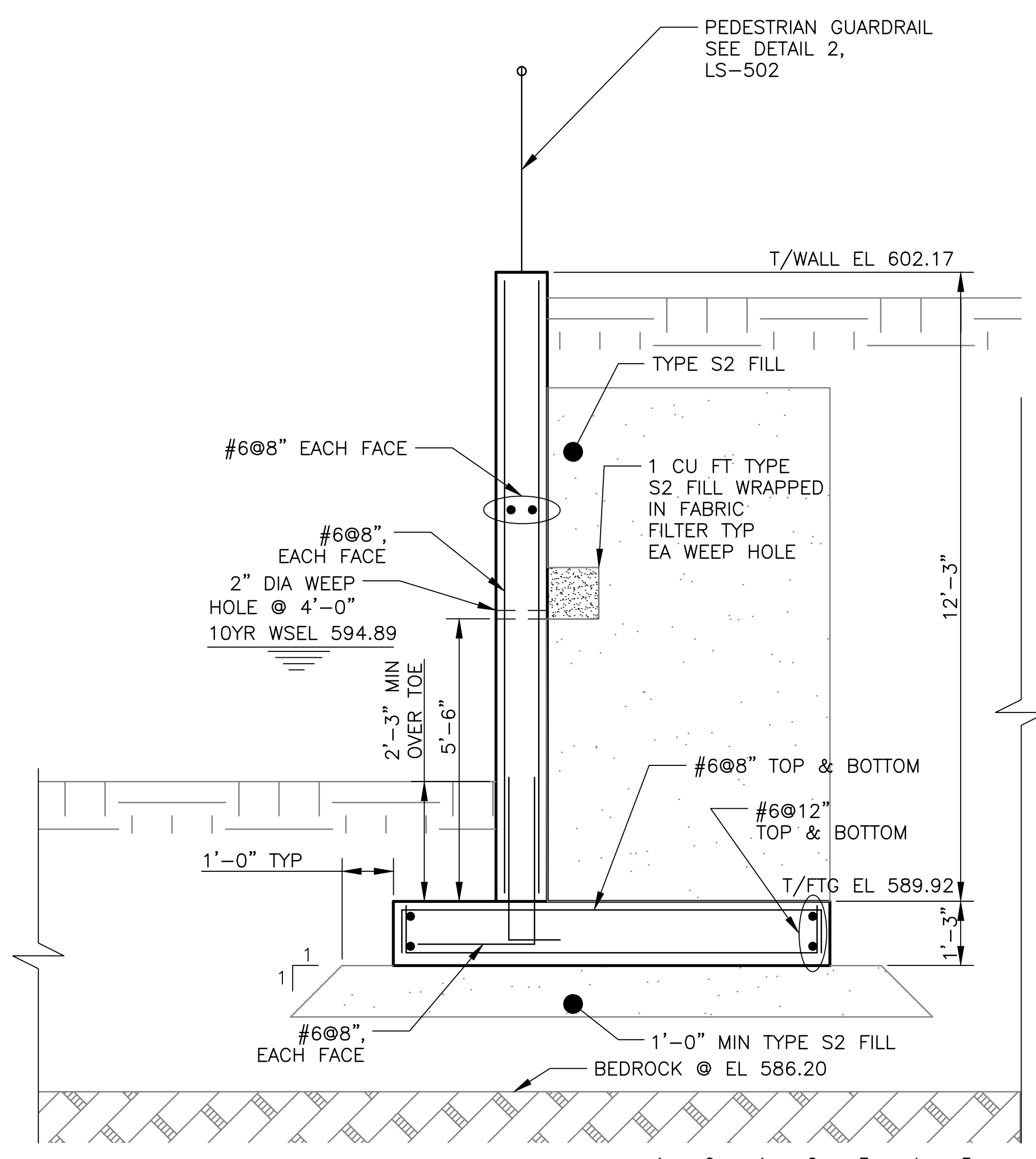
METROPOLITAN WATER RECLAMATION DISTRICT OF GREATER CHICAGO

Designed by: CEE
 Checked by: PMS
 Drawn by: CEE
 Reviewed by: CLS
 Date: FEB. 2024
 Scale: AS SHOWN

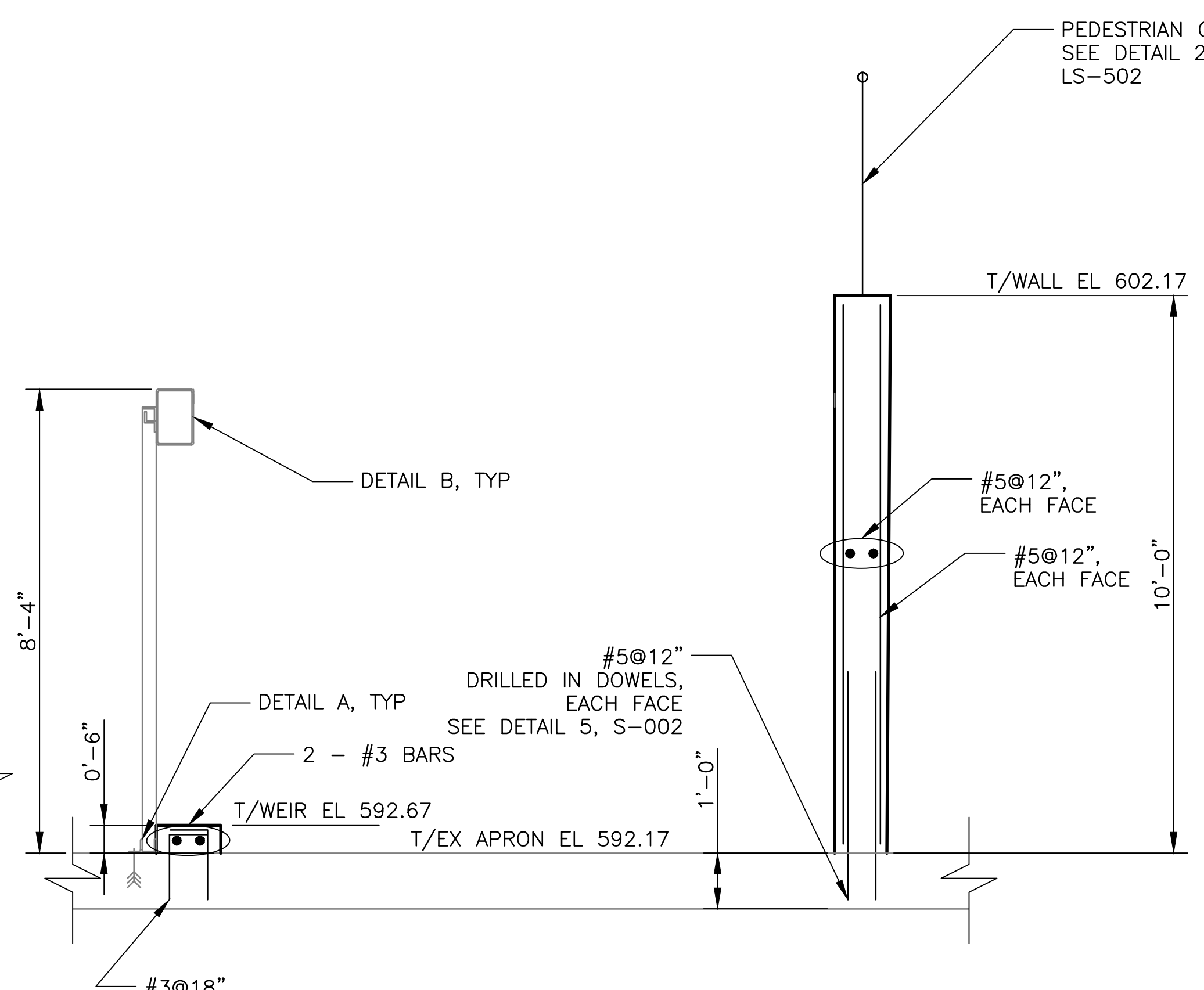
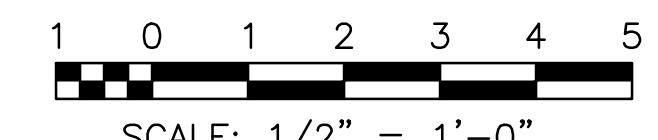
DONOHUE CONSULTANTS, INC.
 ACCURATE CONSULTING ENGINEERS
 LIVING HABITATS

CONTRACT 14-253-5F
 FLOOD CONTROL PROJECT ON
 MIDLOTHIAN CREEK IN ROBBINS, CSA
 LITTLE CALUMET RIVER WATERSHED
**84-INCH STORM SEWER
 JUNCTION VAULT**

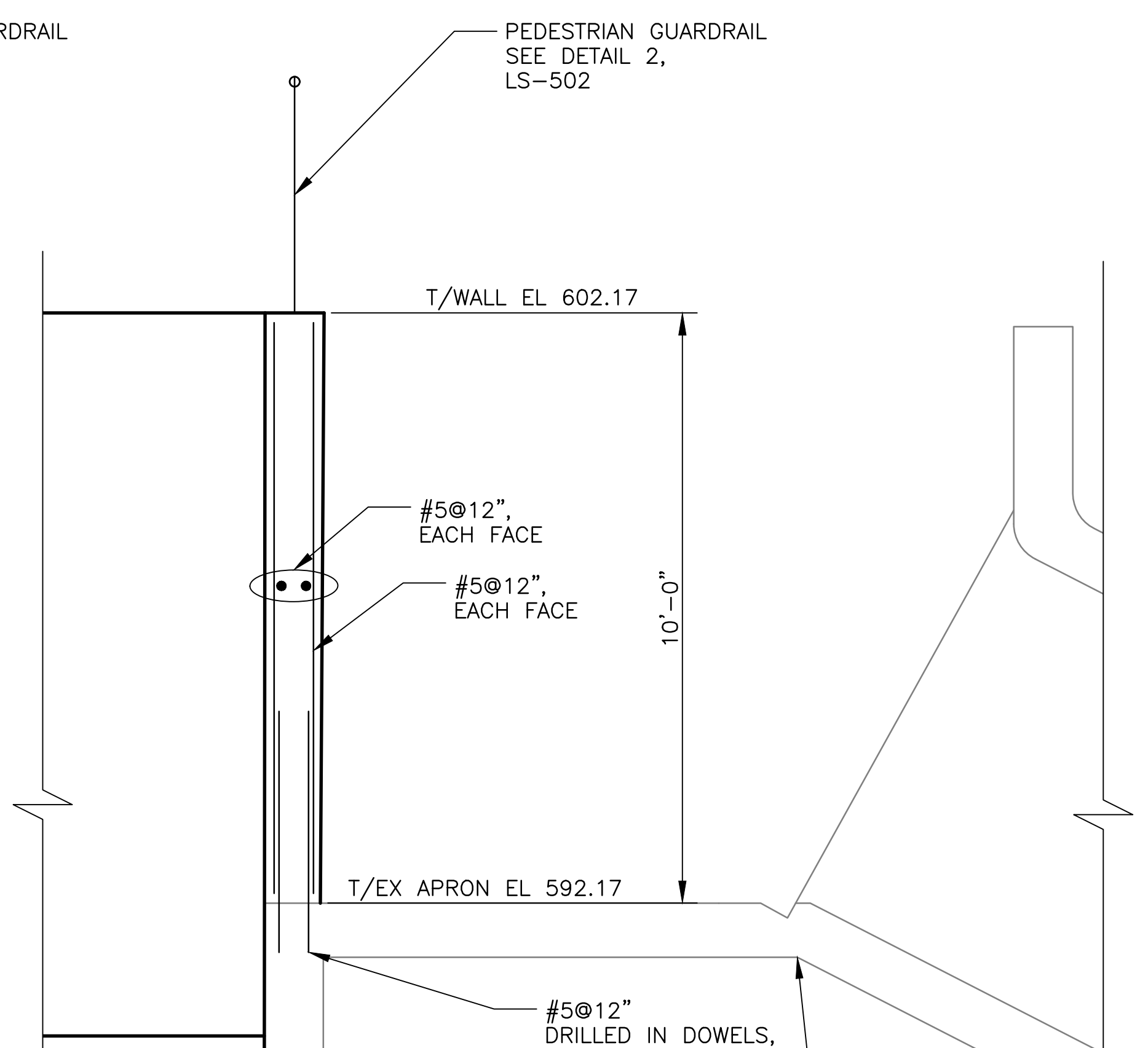
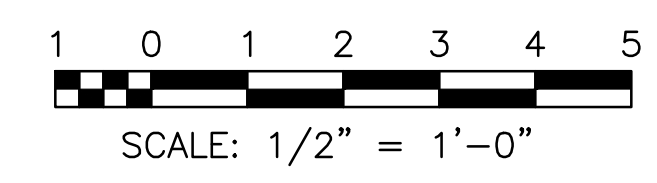
PLOT DATE: 2/7/2024 3:56 PM PLOTTED BY: MADRID, MICHELLE
 P:\13278ch\14-253-3F\Structural\Sheets\14-253-BF\S-501.dwg 1/29/2024 4:56 PM



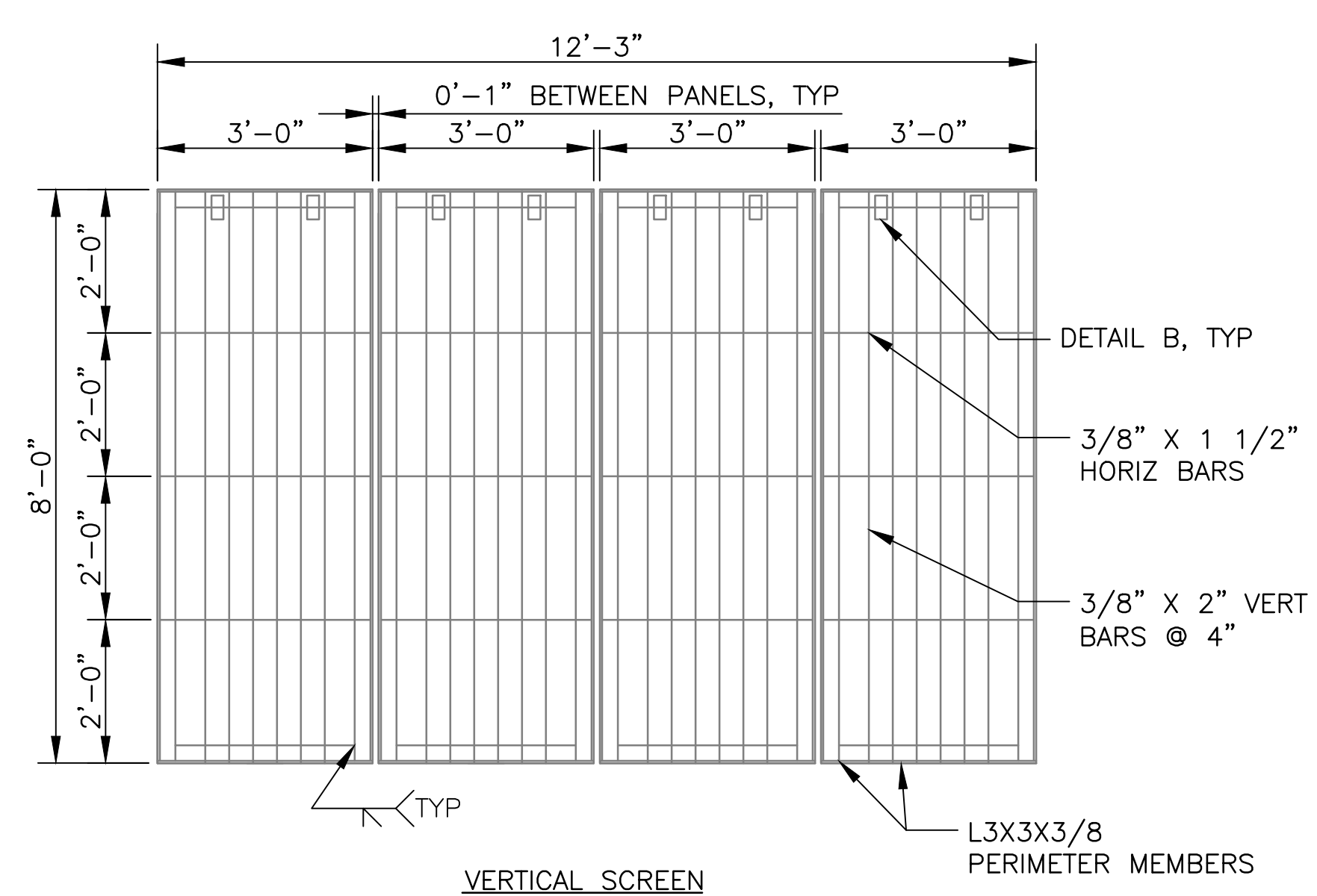
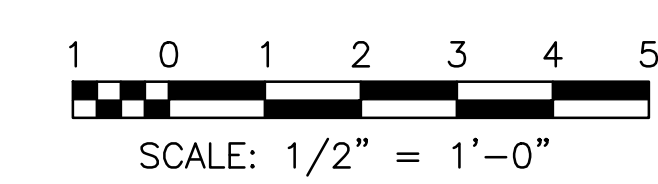
SECTION 1
 SCALE = 1/2" = 1'-0"
 (S-101)



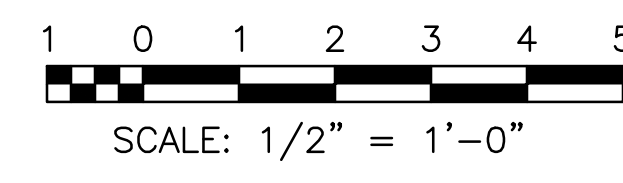
SECTION 2
 SCALE = 1/2" = 1'-0"
 (S-101)



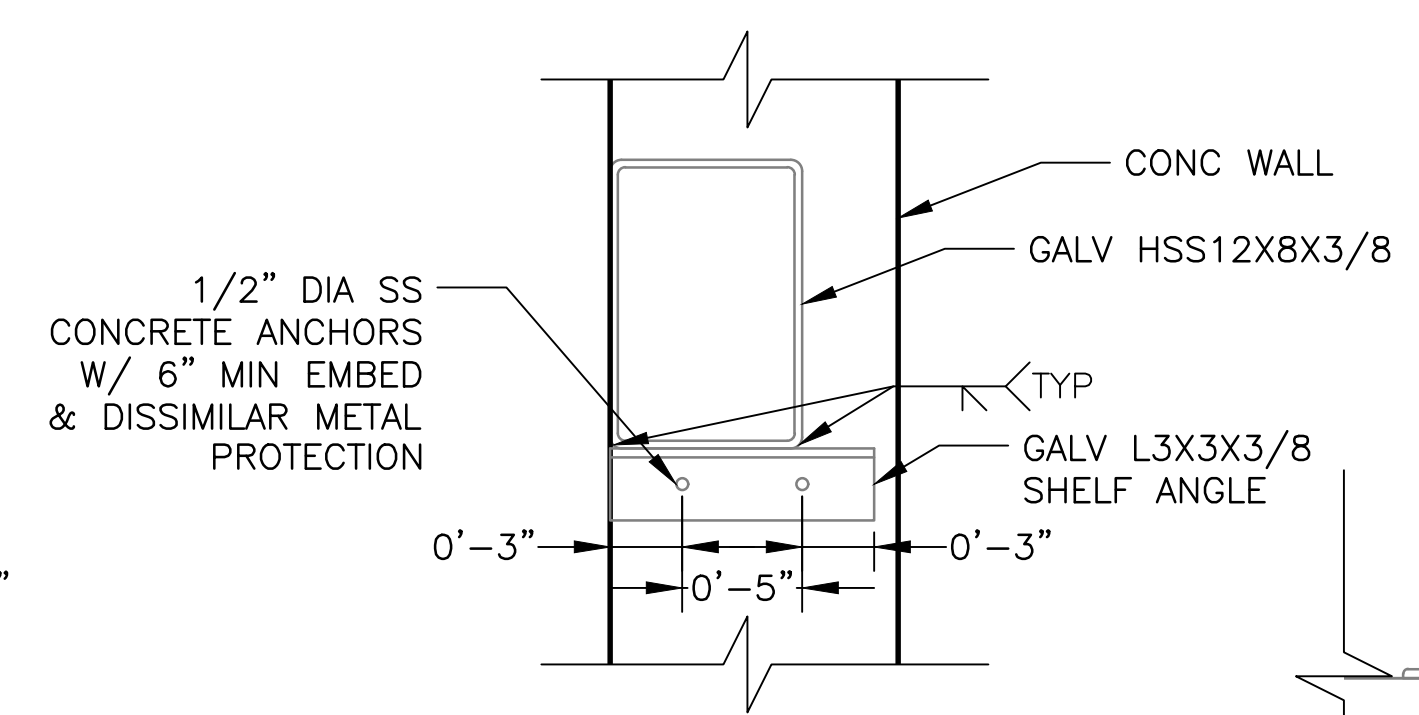
SECTION 3
 SCALE = 1/2" = 1'-0"
 (S-101)



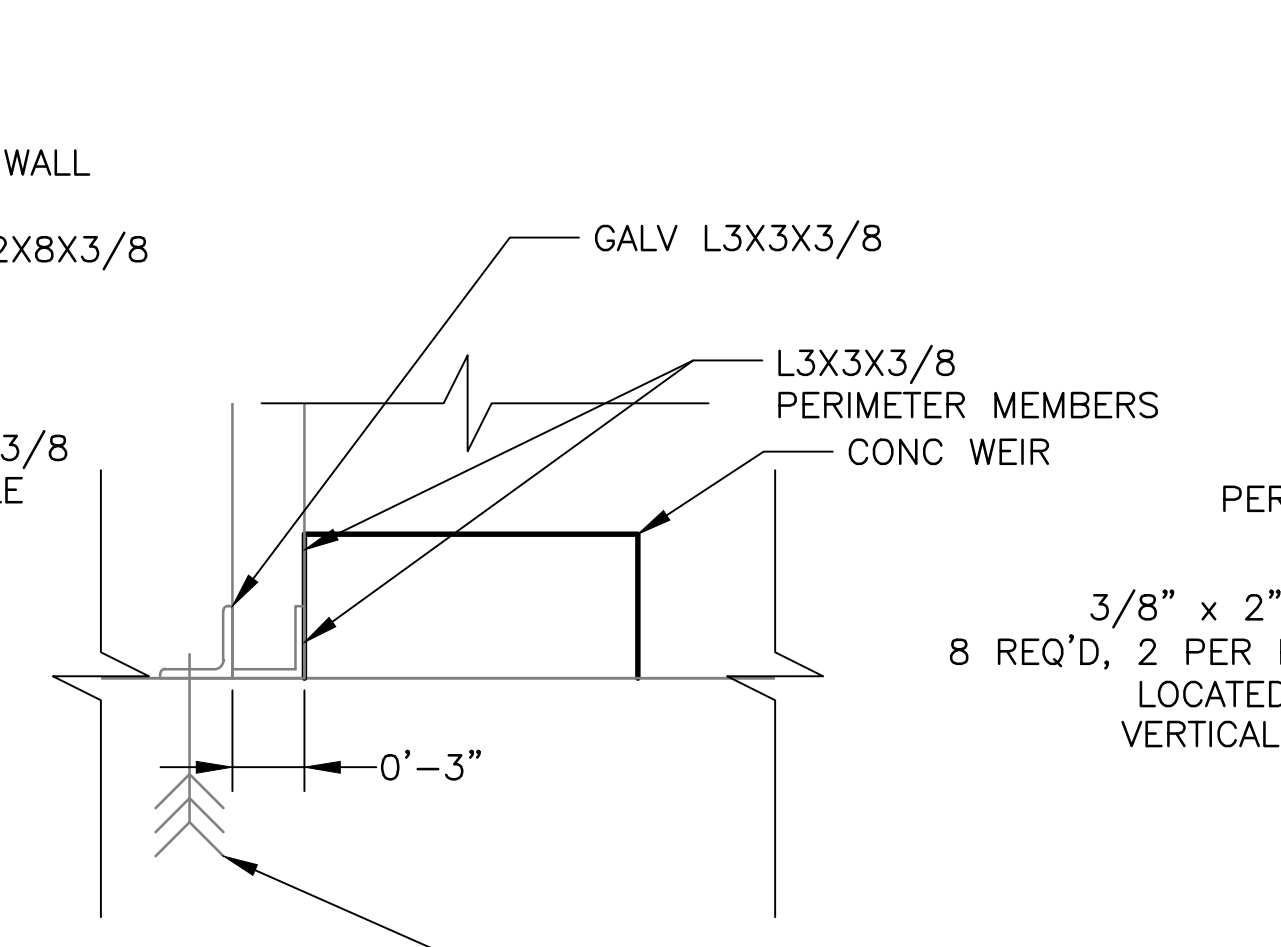
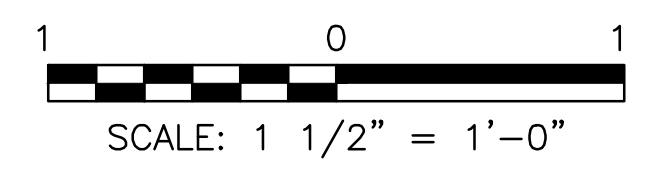
DETAIL 1
 SCALE = 1/2" = 1'-0"
 (S-101)



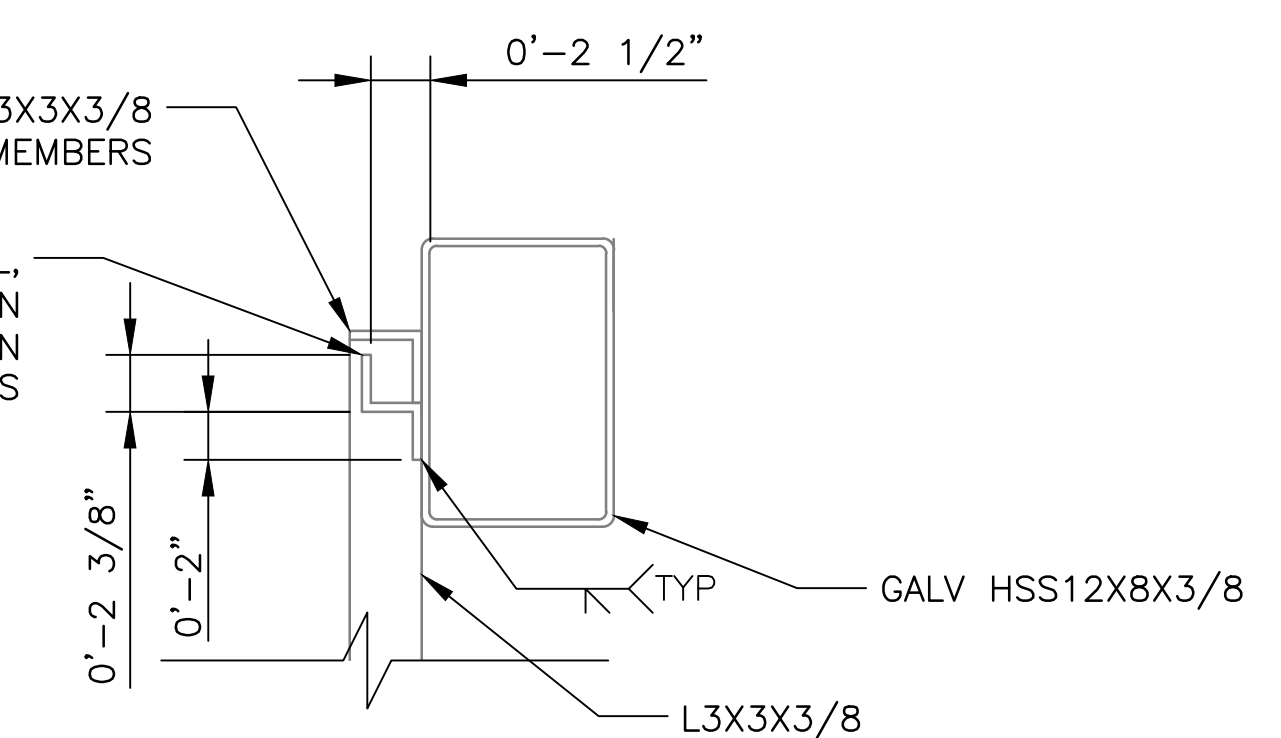
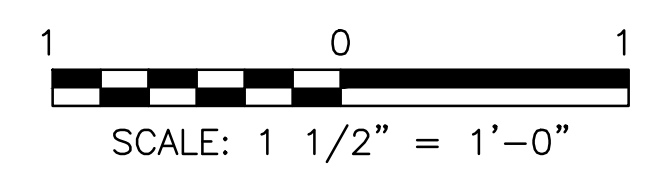
1. ALL STRUCTURAL STEEL SHALL BE GALVANIZED AFTER FABRICATION.
2. ALL HARDWARE SHALL BE STAINLESS STEEL UNLESS NOTED OTHERWISE.
3. WELDING SHALL BE DONE BEFORE GALVANIZING.
4. ALL WELDING SHALL BE CONTINUOUS UNLESS NOTED OTHERWISE.
5. VERTICAL SCREEN IS DESIGNED FOR 3'-6" OF DIFFERENTIAL PRESSURE.



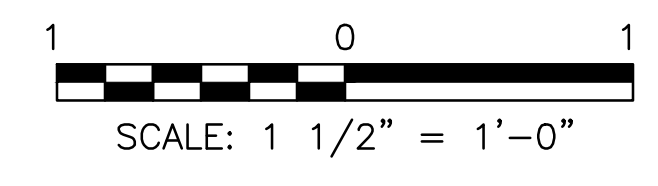
DETAIL 2
 SCALE = 1 1/2" = 1'-0"
 (S-101)



DETAIL A
 SCALE = 1 1/2" = 1'-0"
 (S-501)



DETAIL B
 SCALE = 1 1/2" = 1'-0"
 (S-501)



METROPOLITAN WATER RECLAMATION DISTRICT OF GREATER CHICAGO

CONTRACT 14-253-5F
 FLOOD CONTROL PROJECT ON MIDLOTHIAN CREEK IN ROBBINS, CSA LITTLE CALUMET RIVER WATERSHED

STRUCTURAL DETAILS

Designed by: CEE
 Checked by: PMS
 Drawn by: CEE
 Reviewed by: CLS
 Date: FEB 2024
 Scale: AS SHOWN

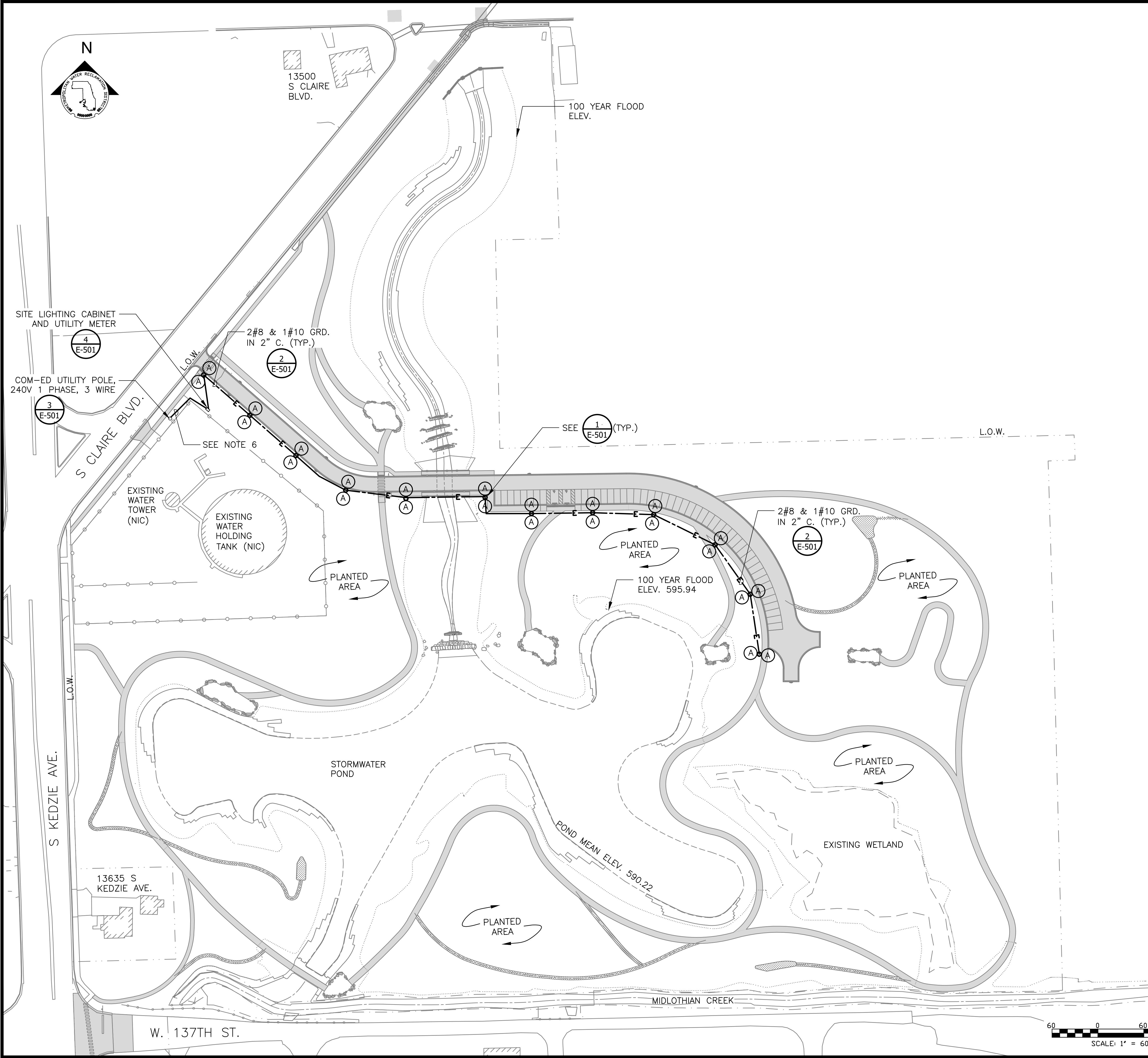
DONOHUE
 Accurate
 ENGINEERS & ASSOCIATES, INC.
 CONSULTING ENGINEERS

LIVING HABITATS

Rev.	Description	Appr.	Date

Sheet Number:
S-501

Page Number: 190

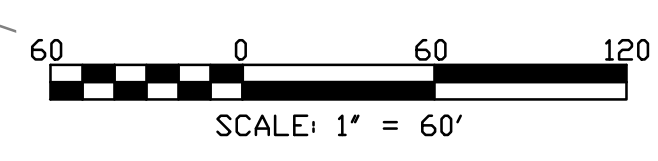


LEGEND:

- L.O.W. --- LIMIT OF WORK
- WOUS --- WATERS OF UNITED STATES
- CHANNEL MEAN ELEV.
- 100 YR FLOOD ELEV.
- [Hatched Box] MOWN TURF PATHS/LANDINGS
- [Solid Grey Box] PAVED PATHS
- [Solid Grey Box] ROADWAYS
- E --- UNDERGROUND CONDUIT
- (A) POLE MOUNTED LIGHT FIXTURES
SEE FIXTURE SCHEDULE ON E-501

GENERAL NOTES:

1. REFER TO DRAWING LS-203 FOR LIGHT POLE COORDINATES
2. NEW CONDUITS INSTALLED UNDERGROUND SHALL BE DIRECT BURIED REINFORCED THERMOSETTING RESIN CONDUIT (RTRC). CONDUITS STUBBING UP OUT OF GROUND SHALL BE RTRC.
3. SEE SECTION 26 05 33.13 FOR SITE LIGHTING CABINET COMPONENTS.
4. FIXTURES SHALL OPERATE ON 240V SINGLE PHASE POWER. SEE SHEET E-501 FOR FIXTURE SCHEDULE.
5. LIGHTPOLES SHALL BE PLACED WITH 2 FT MINIMUM CLEARANCE FROM PAVEMENT.
6. INSTALL 3#3 & 1#8 GRD. IN 2" C. FROM SITE LIGHTING CABINET/UTILITY METER TO EXISTING COM-ED UTILITY POLE. STUB-UP CONDUIT 1' ABOVE GRADE AT UTILITY POLE AND COIL AN ADDITIONAL 40' OF CABLE FOR COM-ED USE. COORDINATE WITH COM-ED FOR FINAL CONNECTION.



Rev.	Description	Appr.	Date

**METROPOLITAN WATER RECLAMATION DISTRICT
OF GREATER CHICAGO**

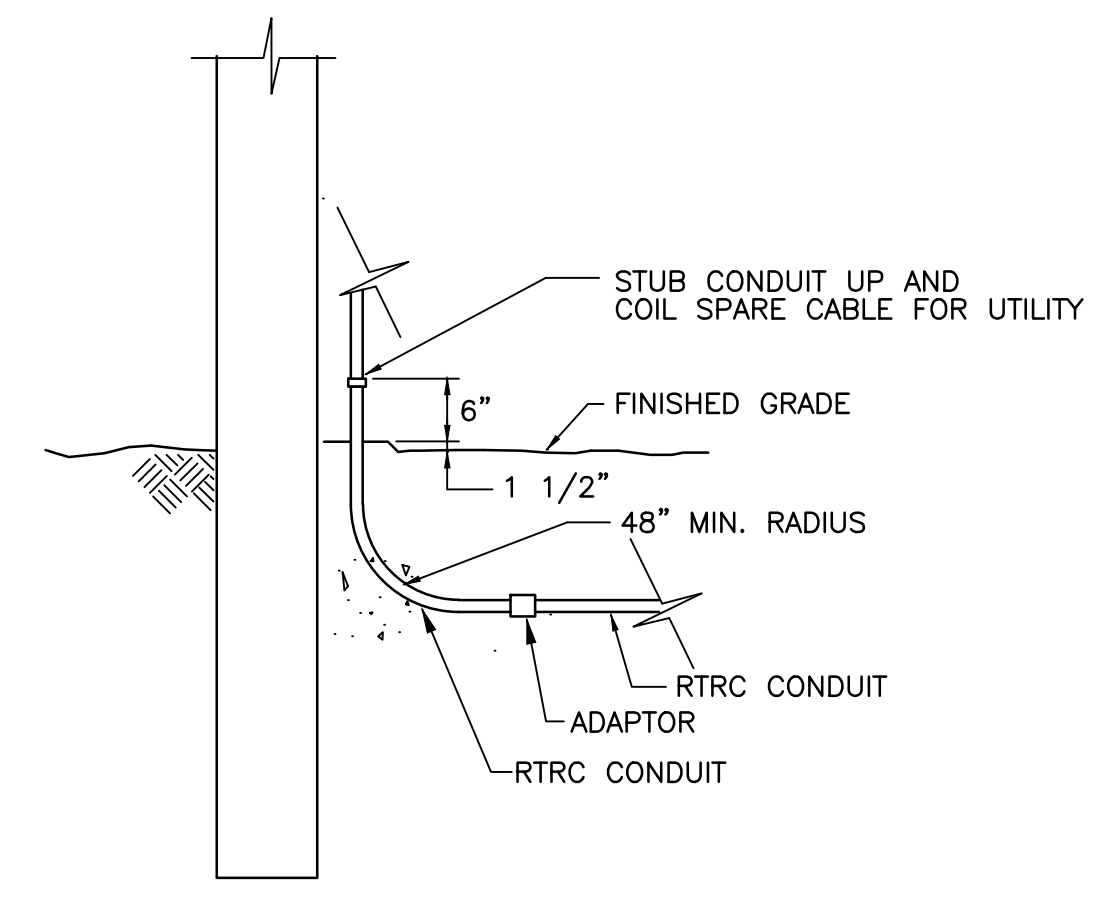
Designed by: FGM	Checked by: PMS	Reviewed by: JTB	Scale: AS SHOWN
Drawn by: FGM	Date: FEB 2024		

CONTRACT 14-253-5F
 FLOOD CONTROL PROJECT ON
 MIDLOTHIAN CREEK IN ROBBINS, CSA
 LITTLE CALUMET RIVER WATERSHED
**SITE LIGHTING PLAN -
 STORMWATER PARK**

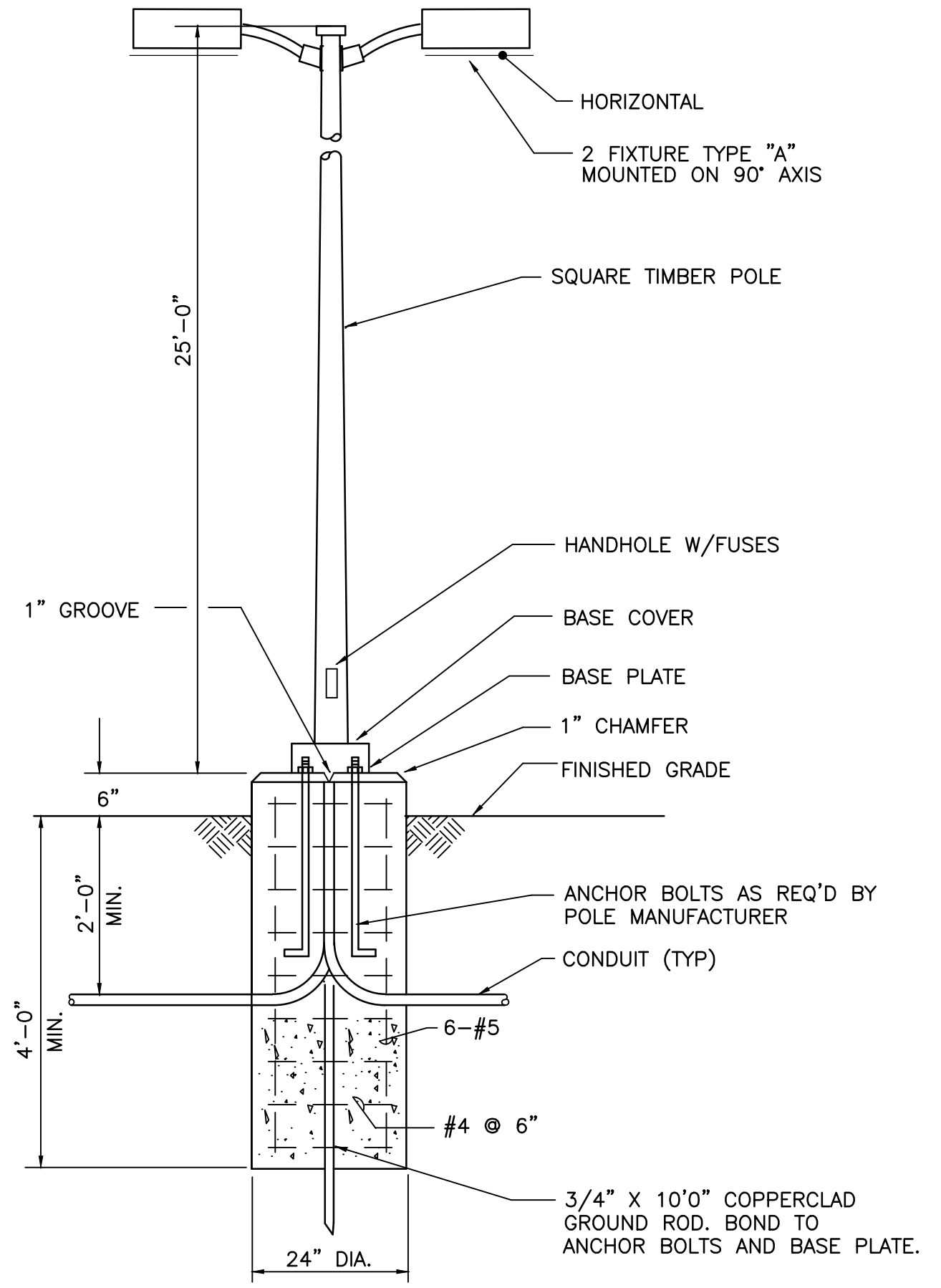
Sheet Number:
E-201
 Page Number: 191

PLOT DATE: 2/7/2024 3:49 PM PLOTTED BY: MADRID, MICHELLE
 P:\13278chi\Dwg\Contracts\14-253-3F\Electrical\Sheets\14-253-BF\E-501.dwg 1/9/2024 3:21 PM

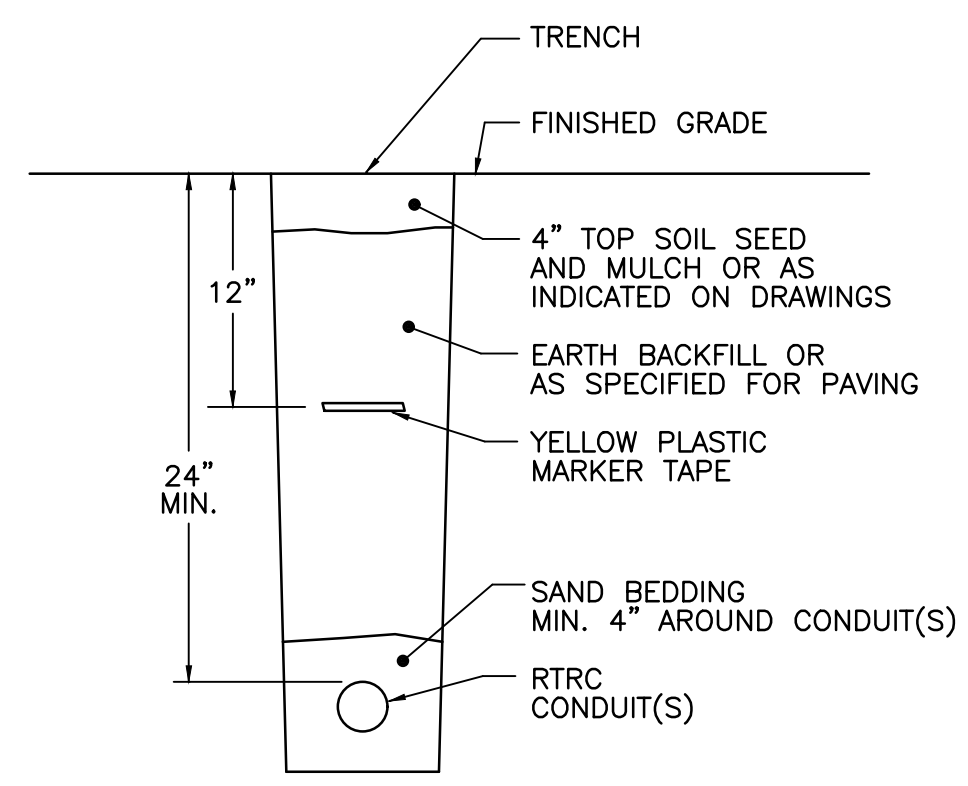
FIXTURE SCHEDULE					
TYPE	DESCRIPTION	LUMENS (LM)	MANUFACTURER	CATALOG NUMBER	REMARKS
A	ARM MOUNTED, POLE MOUNTED LED FIXTURE, 240V	5,000LM	LITHONIA OR APPROVED EQUAL	RAD1 LED P2 27K PATH 240 SPA	25' POLE, POST TOP MOUNTED, TWIN CONFIGURATION
POLES	GL28H GLUED-LAMINATED TIMBER POLE, SQUARE.	25'	VALMONT OR APPROVED EQUAL	VALMONT STAINTON - RUKA	



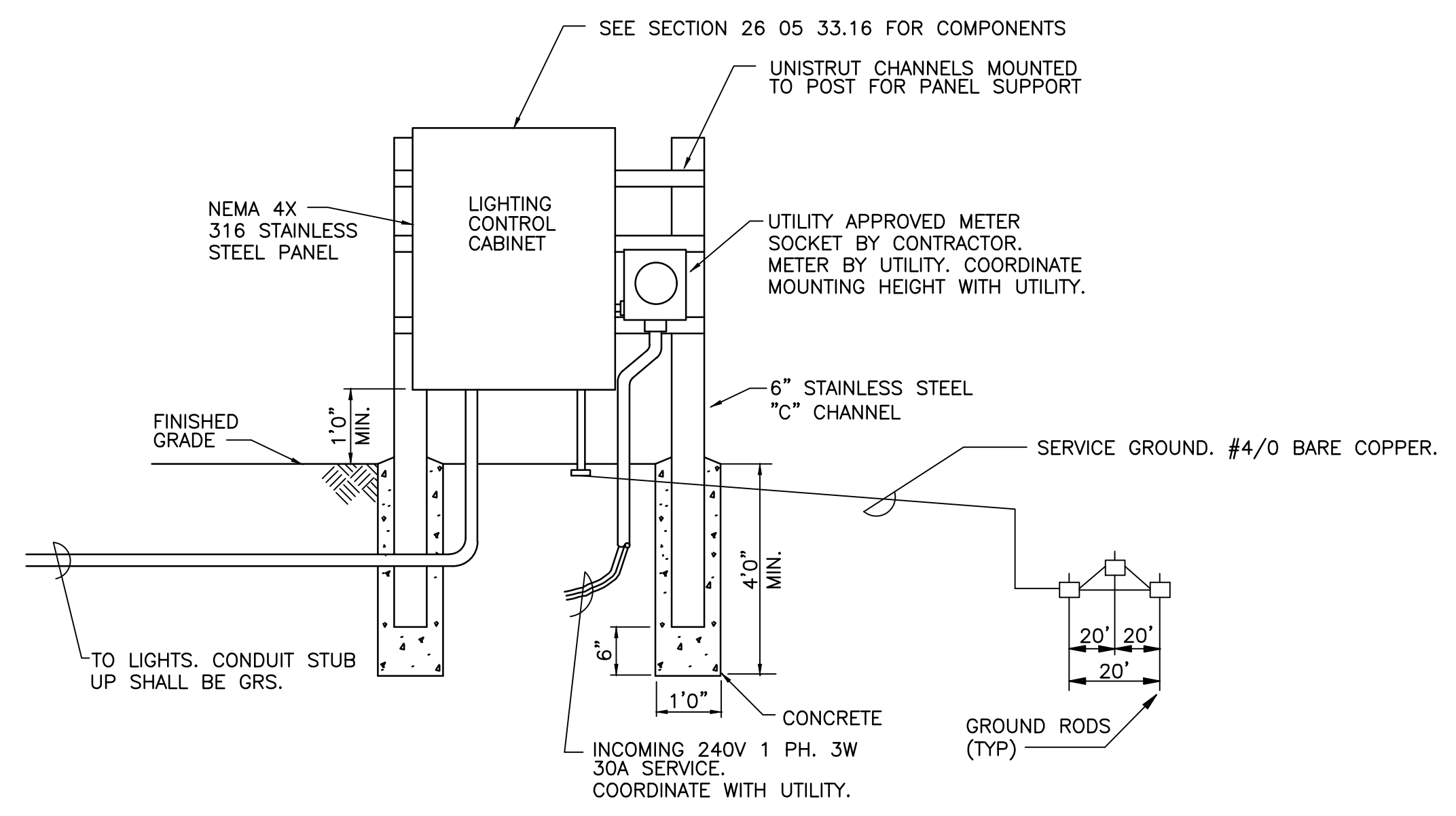
3 CONDUIT STUB UP DETAIL
 Scale: NTS



1 AREA LIGHTING POLE AND BASE DETAIL
 Scale: NTS



2 UNDERGROUND CONDUIT DETAIL
 Scale: NTS



4 LIGHTING CABINET DETAIL
 Scale: NTS

Rev.	Description	Appr.	Date

METROPOLITAN WATER RECLAMATION DISTRICT
 OF GREATER CHICAGO

Designed by: FGM
 Checked by: PMS
 Drawn by: FGM
 Reviewed by: JTB
 Date: FEB 2024
 Scale: AS SHOWN

DONOHUE
 CONSULTING ENGINEERS

ZIM
 CONSULTING ENGINEERS

ACCURATE
 CONSULTING ENGINEERS

LIVING HABITATS

CONTRACT 14-253-5F
 FLOOD CONTROL PROJECT ON
 MIDLOTHIAN CREEK IN ROBBINS, CSA
 LITTLE CALUMET RIVER WATERSHED

ELECTRICAL DETAILS

P:\13278ch\Drawings\Contracts\14-253-3F\Reference\Sheets\14-253-BF\R-001.dwg 11/20/2023 7:36 AM

County	Fiscal Year	Sheet No.	Total Sheets
053	1979	1	27

Section 053-1213.01 M.F.T.

INDEX OF SHEETS

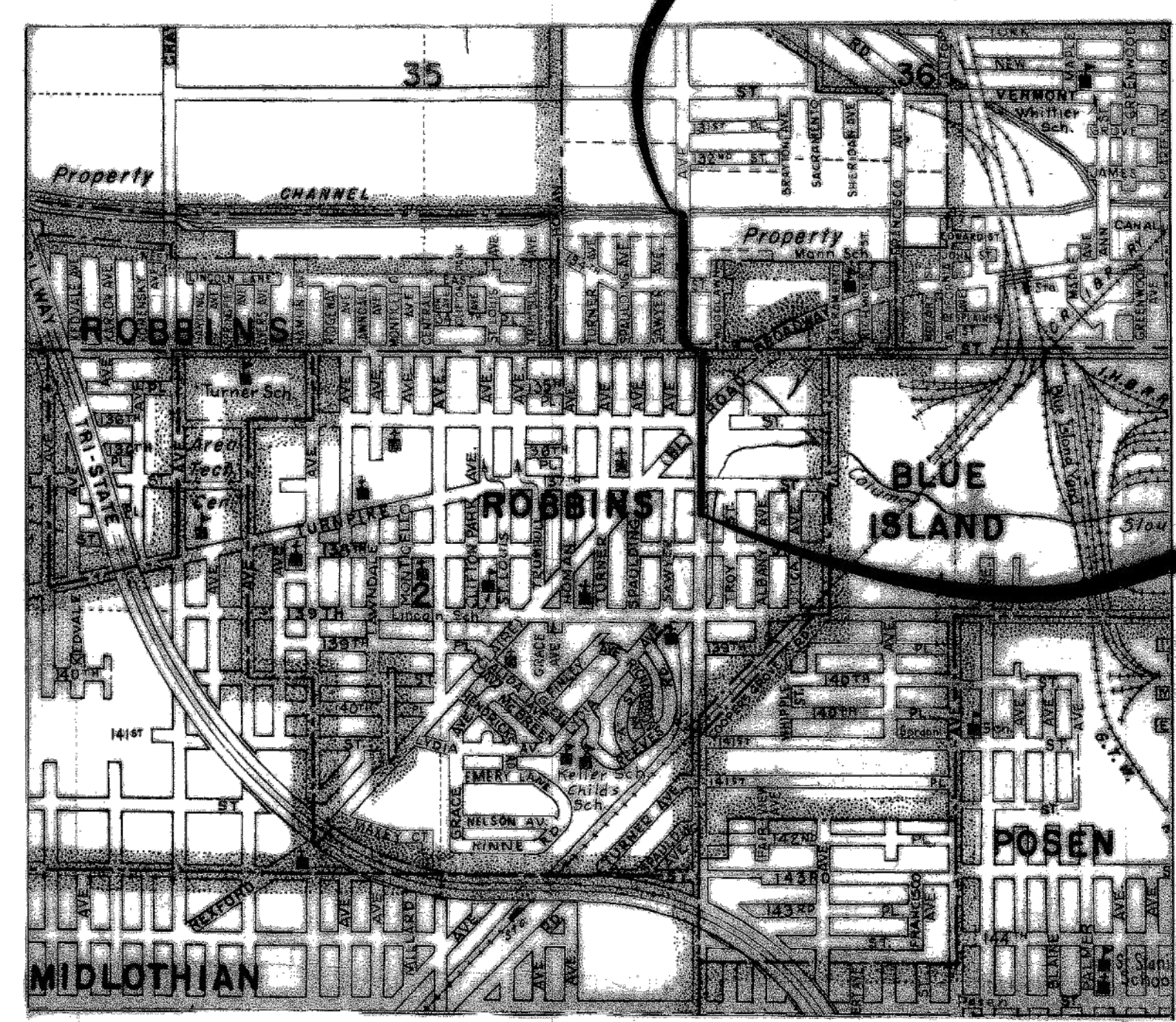
SHEET NO.	DESCRIPTION
1	COVER SHEET
2	SUMMARY OF QUANTITIES
	GENERAL NOTES
3	ALIGNMENT AND TIES
4-5	PLAN AND PROFILE, DRAINAGE AND UTILITIES
6-8	CROSS SECTIONS
9	GENERAL PLAN - MIDLOTHIAN CREEK CULVERT
10	CHANNEL DETAILS - 137TH ST PAVING DETAIL
11	CULVERT DETAILS
12	CULVERT AND SLOPE TAPERED INLET DETAILS
13	GABION DETAILS
14	SLOPE TAPERED INLET DETAILS
15	SLOPE TAPERED INLET GRATING DETAILS
16	REINFORCEMENT BAR SCHEDULE
17	HEADWALL DETAILS
18	CHAIN LINK FENCE DETAILS AND NAME PLATE
19	FLAT SLAB TOP
	MANHOLE - PRECAST T
20	CATCH BASIN - TYPE A2
	BEDDING DETAIL - STORM SEWERS
21	FRAME AND LID TYPE I
	GRATE - TYPE B
	STORM SEWER CONNECTIONS
	FIELD JOINT
22-27	STANDARD DESIGN TRAFFIC CONTROL DEVICES

STATE OF ILLINOIS
COUNTY OF COOK
DEPARTMENT OF HIGHWAYS



**PLANS FOR PROPOSED
COUNTY HIGHWAY
KEDZIE AVENUE-MAIN DRAIN**
139 TH. STREET TO CALUMET-SAG CHANNEL
COUNTY HIGHWAY 053 SECTION 053-1213.01-M.F.T.
(M.F.T. 77-10407-00-SS)

CONTRACT FOR SECTION 053-1213.01 M.F.T.
ENDS AT STATION 129 + 26



CONTRACT FOR SECTION 053-1213.01 M.F.T.
BEGINS AT STATION 100 + 00

NET LENGTH 2926 LIN FT. = .5541 MILES

STANDARD SYMBOLS

--- PROPOSED GRADE LINE - PROFILE	--- SECTION TOWNSHIP OR GRANT LINE
--- GUARD POST (PROPOSED)	--- CITY OR VILLAGE LIMITS
--- GUARD RAIL (PROPOSED)	--- RAILROAD OR UTILITY TRACKS
--- CENTER LINE OF CONSTRUCTION	--- RDW OR PROPERTY LINE
--- CONTRACTION JOINT	--- SECTION CORNER
--- LONGITUDINAL JOINT	--- FENCE (BARBED WIRE)
--- CONSTRUCTION JOINT	--- FENCE (NO DISTINCTION)
--- DIRECTION OF DRAINAGE	--- GUARD POST (EXISTING)
--- SUMMIT	--- GUARD RAIL (EXISTING)
--- MANHOLE POINT	--- MARSH
--- ELEVATION OF POINT INDICATED	--- STREAM
--- EXISTING PIPE, 6" DIA. (CONSTRUCTED)	--- TREE (WITH DIAMETER)
--- INLET TUBE (CONSTRUCTED)	--- FENCE
--- INLET TUBE (EXISTING)	--- TRAVELED WAY
--- EXISTING MANHOLE (CONSTRUCTED)	--- VALVE VAULT - WATER (W) GAS (G)
--- EXISTING MANHOLE (EXISTING)	--- METER VAULT (DOMESTIC)
--- EXISTING TUBE FILLED	--- UTILITY CO. MANHOLE - TEL. (T) POWER (E)
--- EXISTING MANHOLE (CONSTRUCTED)	--- MANHOLE
--- EXISTING MANHOLE (EXISTING)	--- BUFFALO BOX (DOMESTIC)
--- MANHOLE TO BE CONSTRUCTED	--- FIRE HYDRANT
--- MANHOLE TO BE FILLED	--- LIGHT POLE
--- EXISTING SEWER (DIAMETER & TYPE)	--- TRAFFIC SIGNAL (AUTOMATIC)
--- POLYETHYLENE CONCRETE CULVERT	--- TRAFFIC SIGN
--- EXISTING PIPE CULVERT	--- UTILITY CO. POLE & STREET LIGHT
--- EXISTING PIPE CULVERT (LENGTH, DIAMETER & TYPE)	--- TELEPHONE POLE
--- LOCATION OF RAISED SIDEWALK	--- POWER LINE POLE
	--- RR. CROSSBUCK
	--- RR. FLASHING LIGHT SIGNALS
	--- RR. FLASHING LIGHT SIGNALS & GATES
	--- JOINTLY OWNED POLE
	--- TELEPHONE CO. ABOVE GROUND CLOSURE
	--- EXISTING HEADWALL AND CULVERT (LENGTH, SIZE & TYPE)

CONVENTIONAL SIGNALS FOR SHEET NO. 1

COUNTY OF COOK
DEPARTMENT OF HIGHWAYS

APPROVED: *[Signature]* 19 79

APPROVED: *[Signature]* 19 79

APPROVED: *[Signature]* 19 79

CHIEF ENGINEER OF DESIGN

SUPERINTENDENT

STATE OF ILLINOIS
DEPARTMENT OF TRANSPORTATION

APPROVED: _____ 19 ____

DISTRICT ENGINEER OF LOCAL ROADS AND STREETS

APPROVED: _____ 19 ____

DISTRICT ENGINEER

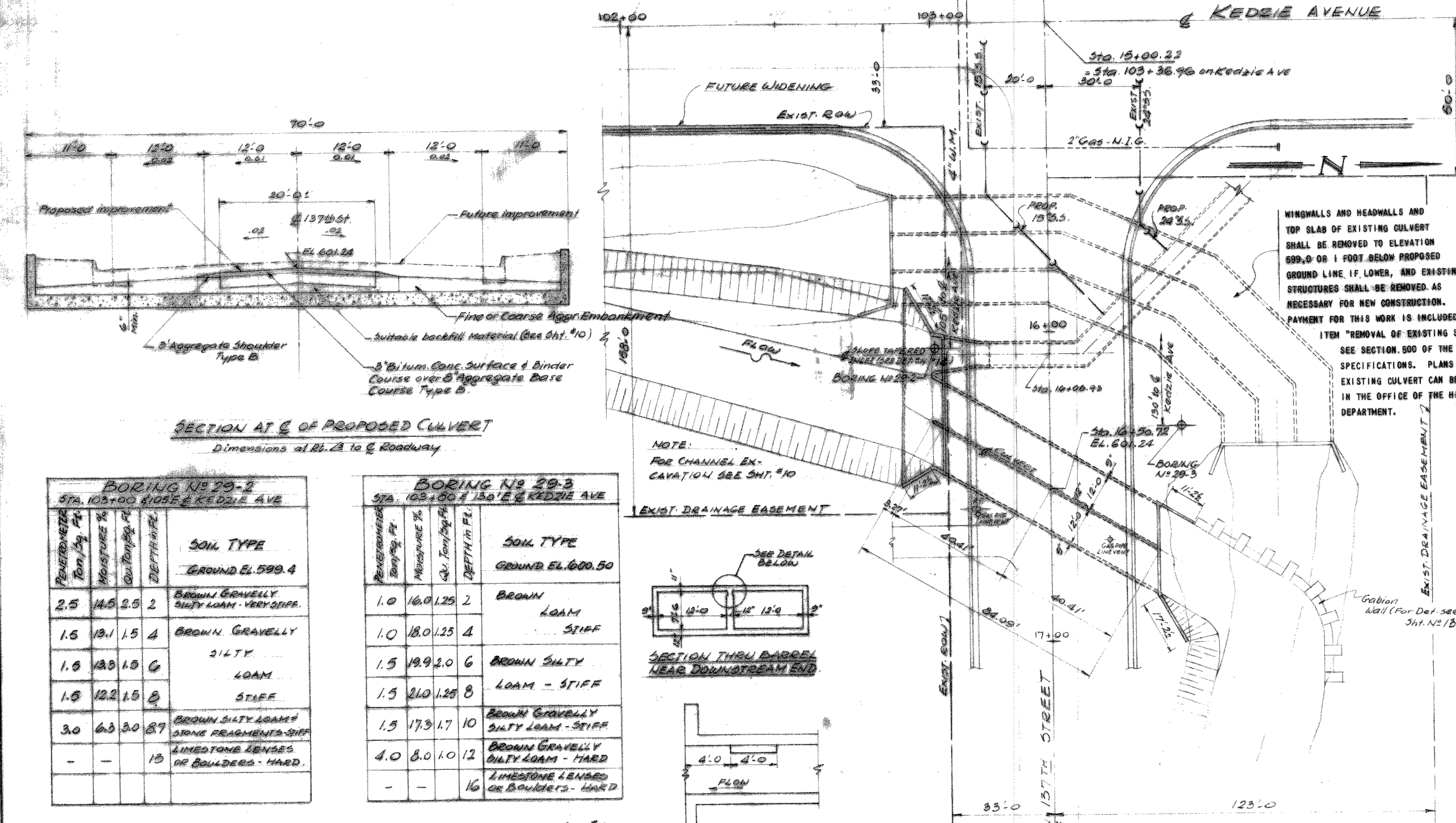
CONTRACT 14-253-5F
FLOOD CONTROL PROJECT ON
MIDLOTHIAN CREEK IN ROBBINS, CSA
LITTLE CALUMET RIVER WATERSHED
KEDZIE AVE MAIN DRAIN
SHEET 1

Sheet Number:
R-001

REFERENCE ONLY - NOT TO SCALE

This Reference Drawing is based upon archival data in possession of MWRDCC. It is presented solely for information purpose. Reference drawing is not to be modified or change. MWRDCC makes no guarantee as to the accuracy of the information, nor is it to be used to execute contract work.

COUNTY PROGRAM		SHEET
ITEM No.	YEAR	No.
97	1979	9



- GENERAL NOTES**
- REINFORCEMENT BARS SHALL COMPLY WITH A.A.S.H.T.O. M31 OR M59 GRADE 40.
 - CLASS X CONCRETE SHALL BE USED THROUGHOUT. EXPOSED CONCRETE EDGES SHALL HAVE 3/4 IN. CHAMFERS. COARSE AGGREGATE IN THE CONCRETE WILL BE REQUIRED TO MEET THE QUALITY STANDARDS SPECIFIED IN ARTICLE 704.01 OF STANDARD SPECIFICATIONS (JULY 1, 1976). ANY PROVISION UNDER SUPPLEMENTAL SPECIFICATIONS REGARDING THE USE OF GHELY WILL NOT BE PERMITTED.
 - WATERPROOFING SHALL CONFORM TO ARTICLES 503.11 AND 503.18 OF THE STANDARD SPECIFICATIONS. THE FOLLOWING SURFACES OF THE CULVERT SHALL BE WATERPROOFED: THE TOP OF THE TOP SLAB; THE BACKS OF THE EXTERIOR WALLS ABOVE THE CONSTRUCTION JOINT; THE BACKS OF THE WING WALLS ABOVE THE TOPS OF THE FOOTING TO ONE FOOT BELOW THE PROPOSED GROUND LEVEL.
 - PROTECTIVE COAT SHALL BE APPLIED TO THE EXPOSED HORIZONTAL SURFACES OF PARAPETS AND WINGWALLS AND EXPOSED VERTICAL FACES OF PARAPETS. PROTECTIVE COAT SHALL BE INCLUDED IN THE CONTRACT BID PRICE FOR CLASS X CONCRETE.
 - NON-METALLIC WATERSEALS, PREFORMED EXPANSION JOINT FILLERS AND CONCRETE NAILS SHALL BE INCLUDED FOR PAYMENT IN THE CONTRACT BID PRICE FOR CLASS X CONCRETE. THESE ITEMS SHALL NOT BECOME BENT, TORN, OR DISTORTED DURING CONSTRUCTION.
 - ROCK EXCAVATION FOR STRUCTURES WILL BE IN ACCORDANCE WITH SEC. 502 OF THE STANDARD SPECIFICATIONS.
 - CULVERT BARREL AND WINGWALL EXCAVATION (EXCLUDING ROCK EXCAVATION FOR STRUCTURES) WILL NOT BE PAID FOR SEPARATELY BUT WILL BE INCLUDED IN THE UNIT PRICE BID FOR CLASS X CONCRETE.
 - DRAIN (WEEP) HOLES IN CULVERT SIDEWALLS SHALL BE BUILT ACCORDING TO ARTICLE 503.09 STANDARD SPECIFICATIONS. COST OF DRAIN HOLES SHALL BE INCLUDED IN THE UNIT PRICE BID FOR CLASS X CONCRETE.
 - FOR GRADING AND FINISHING CHANNEL SIDES, SEE CROSS SECTIONS, SHEET NO. 10.
 - GENERAL NOTES FOR CHAIN LINK FENCE (MODIFIED) 3'-6".
 THE STRUCTURAL STEEL BASE PLATE SHALL CONFORM TO THE REQUIREMENTS OF A.A.S.H.T.O. M-183. THE PLATES AND THE 1/2 IN. THREADED ANCHOR BOLT SHALL BE GALVANIZED AFTER FABRICATION IN ACCORDANCE WITH A.A.S.H.T.O. M-111 AND A.S.T.M. A-385.
 THE TERMINAL POSTS (END, CORNER), LINE POSTS (INTERMEDIATE) AND HORIZONTAL BRACES SHALL MEET ARTICLE 710.33 (b) OR (c) OF THE STANDARD SPECIFICATIONS.
 THE STRETCHER BARS SHALL BE GALVANIZED FLAT STEEL BAR NOT LESS THAN 1/4" x 3/4" AND THE STRETCHER BAR BANDS SHALL BE GALVANIZED FLAT STEEL BAR NOT LESS THAN 1/8" x 1" WITH A 3/8" DIA. GALVANIZED CARRIAGE BOLT SPACED AS SHOWN ON THE PLANS.
 GALVANIZED POST TOPS SHALL BE REQUIRED ON ALL HOLLOW PIPE TYPE POSTS.
 THIS WORK WILL BE PAID FOR AT THE CONTRACT UNIT PRICE PER LINEAL FOOT FOR CHAIN LINK FENCE (MODIFIED) 3'-6". THE CONTRACT UNIT PRICE FOR CHAIN LINK FENCE SHALL ALSO INCLUDE THE COST OF FURNISHING ALL MATERIAL AND INSTALLING THE COMPLETE FENCE.
 - BORING DATA IS MADE AVAILABLE ONLY AS A GUIDE TO BIDDER IN ESTIMATING SOIL CONDITIONS WHICH MAY BE ENCOUNTERED IN THE WORK.

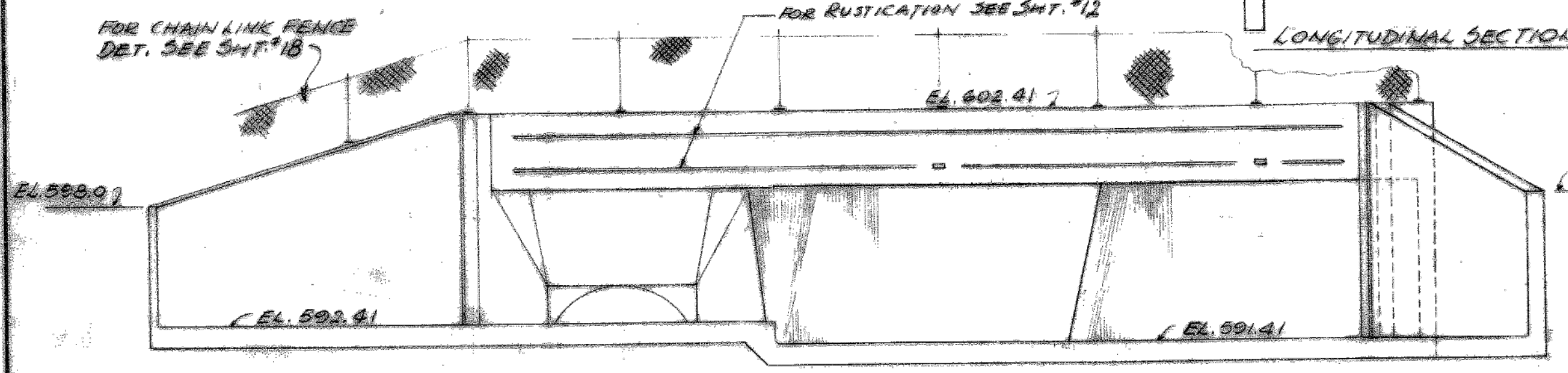
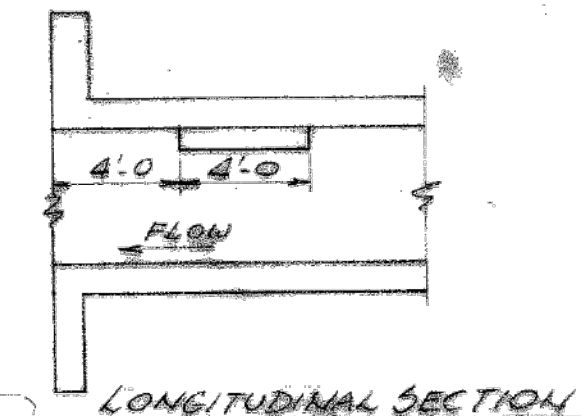
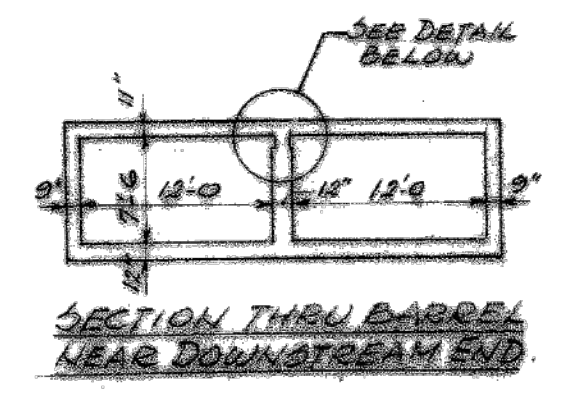
SECTION AT E OF PROPOSED CULVERT
 Dimensions at Bl. A to E Roadway

BORING NO 29-2
 STA. 103+00 TO 105 E KEDZIE AVE

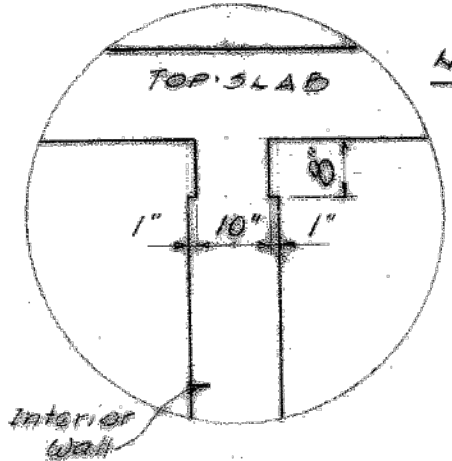
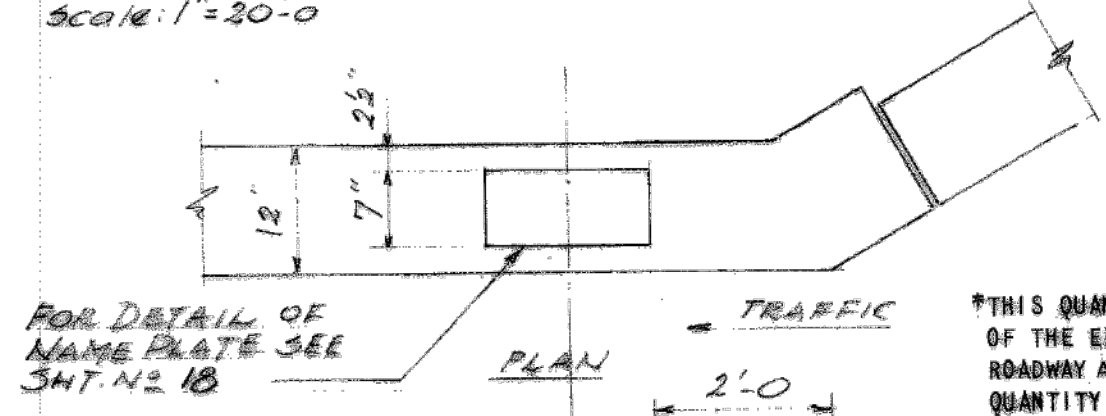
DEPTH IN FEET	SOIL TYPE
2.5	BROWN GRVELLY SILTY LOAM - VERY STIFF.
1.5	BROWN GRAVELLY SILTY LOAM
1.0	LOAM
1.5	STIFF
3.0	BROWN SILTY LOAM & SOME FRAGMENTS - STIFF
-	LIMESTONE LENSES OR BOULDERS - HARD

BORING NO 29-3
 STA. 103+00 TO 130 E KEDZIE AVE

DEPTH IN FEET	SOIL TYPE
1.0	BROWN LOAM
1.0	STIFF
1.5	BROWN SILTY LOAM - STIFF
1.5	LOAM - STIFF
1.5	BROWN GRAVELLY SILTY LOAM - STIFF
4.0	BROWN GRAVELLY SILTY LOAM - HARD
-	LIMESTONE LENSES OR BOULDERS - HARD



PLAN
 scale: 1"=20'-0"



PHOENIX NESTING SITE ON BOX CULVERT
 scale: 1/2"=1'-0"

SPECIFICATION

STANDARD SPECIFICATIONS FOR ROAD AND BRIDGE CONSTRUCTION STATE OF ILLINOIS, DATED JULY 1, 1976 AS AMENDED TO DATE
 STANDARD SPECIFICATIONS FOR HIGHWAY BRIDGE A.A.S.H.T.O. TWELFTH EDITION 1977, AND CURRENT INTERIM SPECIFICATIONS.
 CULVERT DESIGN MANUAL, STATE OF ILLINOIS, DECEMBER 1963 AND AS AMENDED TO DATE.

DESIGN DATA

LOADING = H S 20 - 44
 EARTH PRESSURE = 50 lb/cf (Equivalent Fluid) Walls
 EARTH PRESSURE = 40 lb/cf (Equivalent Fluid) Others
 $f_s = 20,000$ psi $f_c = 1,000$ psi (Wings) $v_c = 75$ psi (Wings)
 $f_c = 1,400$ psi (Barrel) $f_c = 90$ psi (Barrel) $n = 10$

BILL OF MATERIAL

Removal of Existing Structures	1	Each
*Fine or Coarse Aggregate Embankment	.78	Cu. Yds.

REVISIONS

DATE	BY	DESCRIPTION

DEPARTMENT OF HIGHWAYS
 COOK COUNTY, ILLINOIS

GEORGE W. DUNNE
 PRESIDENT BOARD OF COMMISSIONERS

RICHARD H. GULBERMAN
 SUPERINTENDENT OF HIGHWAYS

GENERAL PLAN
 137TH STREET CULVERT AT MIDLOTHIAN CREEK
 KEDZIE AVENUE - 137TH STREET TO CAL-SAG CHANNEL

COMPUTED BY: [Signature]
 CHECKED BY: [Signature]
 DRAWN BY: [Signature]
 CHECKED BY: [Signature]

EXAMINED: July 25, 1979
 [Signature]
 CHIEF ENGINEER OF DESIGN

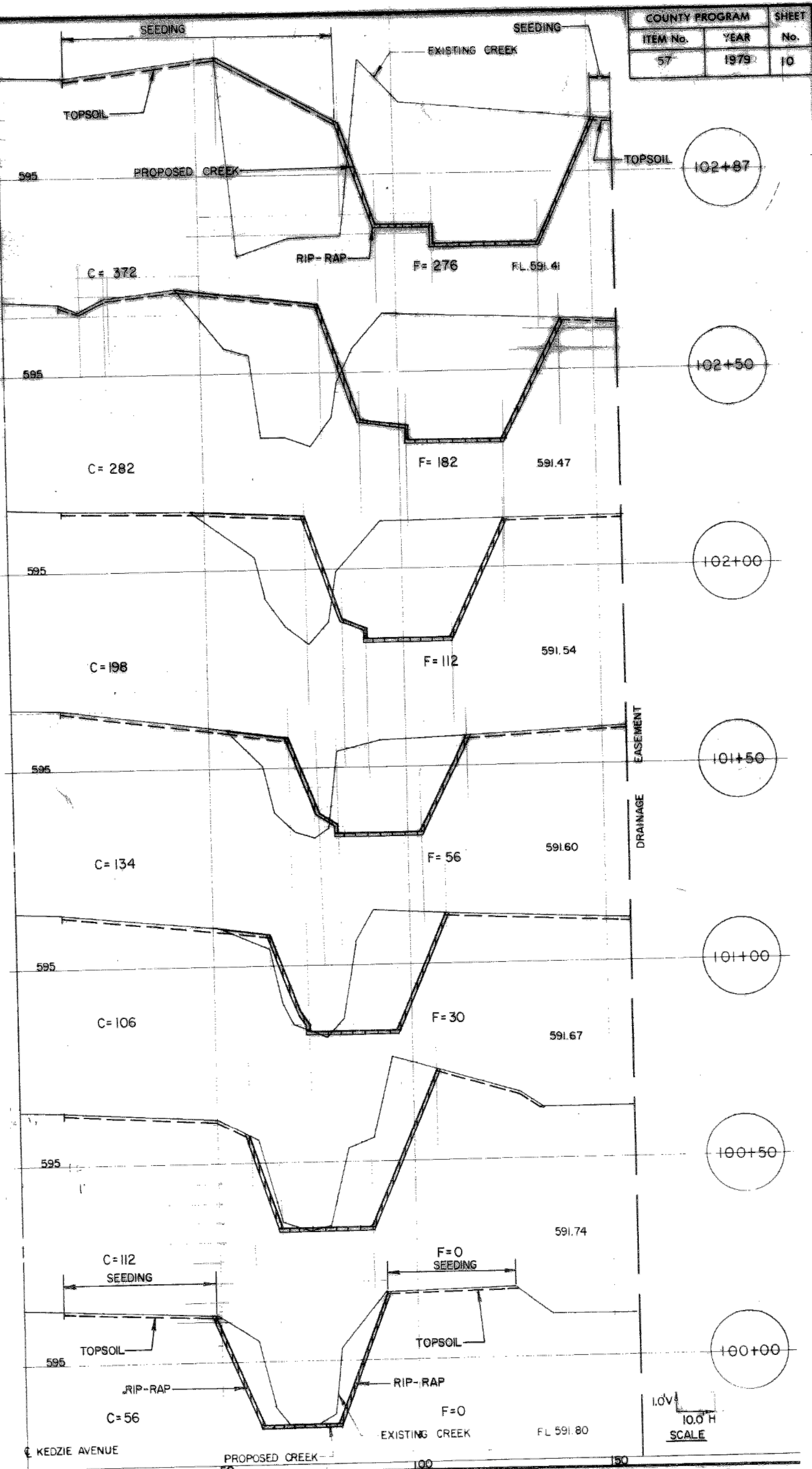
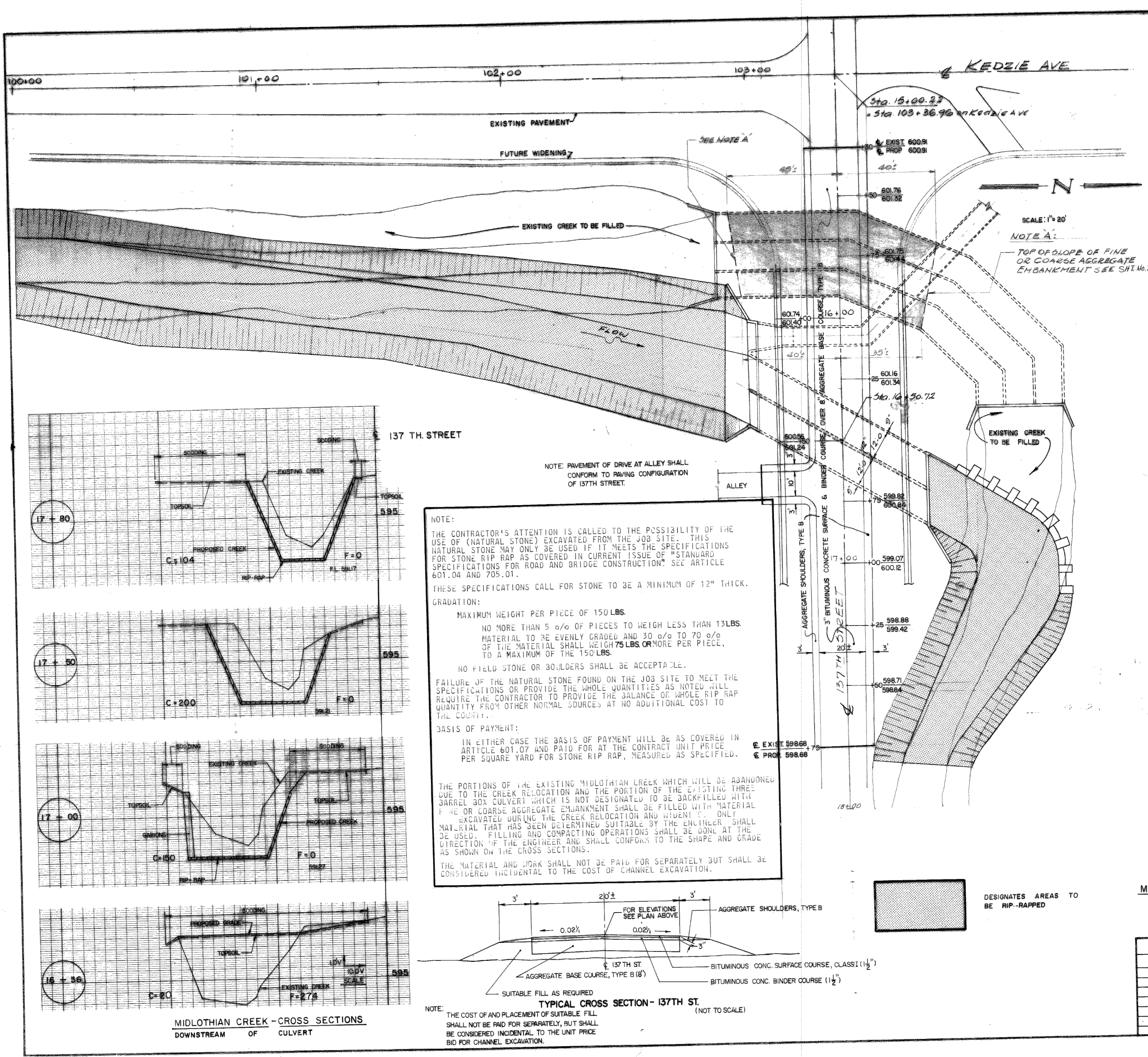
ROUTE: 053
 SECTION NUMBER: 053-1213-01
 SHEET NO.: 9
 TOTAL SHEETS: 27
 DRAWING NO.: PR1160

CONTRACT 14-253-5F
 FLOOD CONTROL PROJECT ON
 MIDLOTHIAN CREEK IN ROBBINS, CSA
 LITTLE CALUMET RIVER WATERSHED
 KEDZIE AVE MAIN DRAIN
 SHEET 9

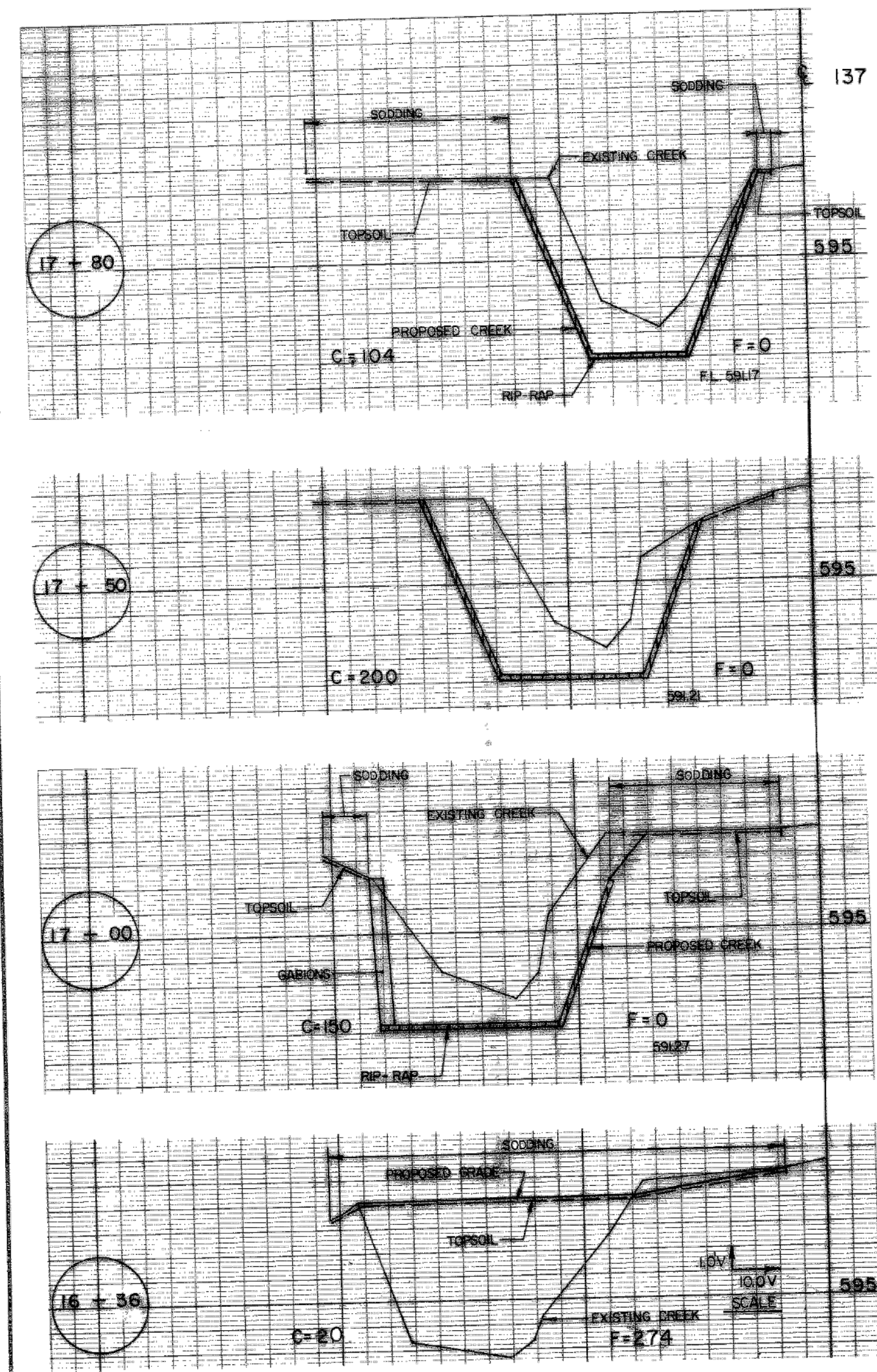
Sheet Number:
R-002

REFERENCE ONLY - NOT TO SCALE

This Reference Drawing is based upon archival data in possession of MWRDC. It is presented solely for information purpose. Reference drawing is not to be modified or change. MWRDC makes no guarantee as to the accuracy of the information, nor is it to be used to execute contract work.

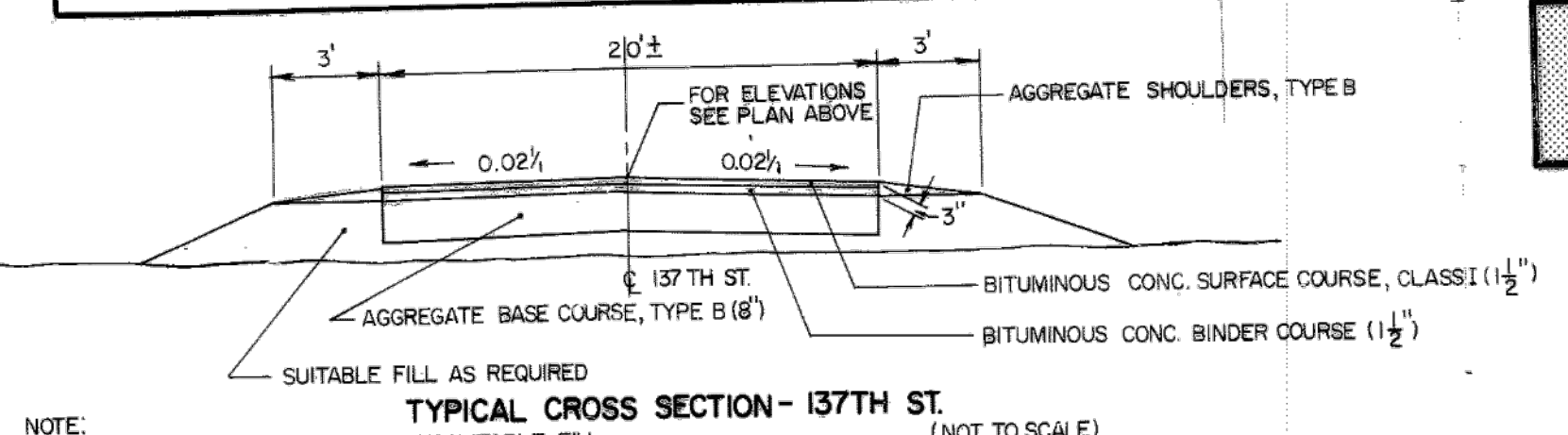


COUNTY PROGRAM	YEAR	SHEET
ITEM No. 57	1979	No. 10



MIDLOTHIAN CREEK - CROSS SECTIONS
DOWNSTREAM OF CULVERT

NOTE:
 THE CONTRACTOR'S ATTENTION IS CALLED TO THE POSSIBILITY OF THE USE OF (NATURAL STONE) EXCAVATED FROM THE JOB SITE. THIS NATURAL STONE MAY ONLY BE USED IF IT MEETS THE SPECIFICATIONS FOR STONE RIP RAP AS COVERED IN CURRENT ISSUE OF "STANDARD SPECIFICATIONS FOR ROAD AND BRIDGE CONSTRUCTION" SEE ARTICLE 601.04 AND 705.01.
 THESE SPECIFICATIONS CALL FOR STONE TO BE A MINIMUM OF 12" THICK. GRADATION:
 MAXIMUM WEIGHT PER PIECE OF 150 LBS.
 NO MORE THAN 5% OF PIECES TO WEIGH LESS THAN 13 LBS.
 MATERIAL TO BE EVENLY GRADED AND 30% TO 70% OF THE MATERIAL SHALL WEIGH 75 LBS OR MORE PER PIECE, TO A MAXIMUM OF THE 150 LBS.
 NO FIELD STONE OR BOULDERS SHALL BE ACCEPTABLE.
 FAILURE OF THE NATURAL STONE FOUND ON THE JOB SITE TO MEET THE SPECIFICATIONS OR PROVIDE THE WHOLE QUANTITIES AS NOTED WILL REQUIRE THE CONTRACTOR TO PROVIDE THE BALANCE OF WHOLE RIP RAP QUANTITY FROM OTHER NORMAL SOURCES AT NO ADDITIONAL COST TO THE COUNTY.
BASIS OF PAYMENT:
 IN EITHER CASE THE BASIS OF PAYMENT WILL BE AS COVERED IN ARTICLE 601.07 AND PAID FOR AT THE CONTRACT UNIT PRICE PER SQUARE YARD FOR STONE RIP RAP, MEASURED AS SPECIFIED.
 THE PORTIONS OF THE EXISTING MIDLOTHIAN CREEK WHICH WILL BE ABANDONED DUE TO THE CREEK RELOCATION AND THE PORTION OF THE EXISTING THREE BARREL BOX CULVERT WHICH IS NOT DESIGNATED TO BE BACKFILLED WITH FINE OR COARSE AGGREGATE EMANKMENT SHALL BE FILLED WITH MATERIAL EXCAVATED DURING THE CREEK RELOCATION AND WIDENING. ONLY MATERIAL THAT HAS BEEN DETERMINED SUITABLE BY THE ENGINEER SHALL BE USED. FILLING AND COMPACTING OPERATIONS SHALL BE DONE IN THE DIRECTION OF THE ENGINEER AND SHALL CONFORM TO THE SHAPE AND GRADE AS SHOWN ON THE CROSS SECTIONS.
 THE MATERIAL AND WORK SHALL NOT BE PAID FOR SEPARATELY BUT SHALL BE CONSIDERED INCIDENTAL TO THE COST OF CHANNEL EXCAVATION.



TYPICAL CROSS SECTION - 137TH ST.
(NOT TO SCALE)
 NOTE: THE COST OF AND PLACEMENT OF SUITABLE FILL SHALL NOT BE PAID FOR SEPARATELY, BUT SHALL BE CONSIDERED INCIDENTAL TO THE UNIT PRICE BID FOR CHANNEL EXCAVATION.

DESIGNATES AREAS TO BE RIP-RAPPED

MIDLOTHIAN CREEK - CROSS SECTIONS
UPSTREAM OF CULVERT

REVISIONS		
DATE	BY	DESCRIPTION

DEPARTMENT OF HIGHWAYS
 COOK COUNTY, ILLINOIS

GEORGE W. DUNNE
 PRESIDENT BOARD OF COMMISSIONERS

RICHARD H. GOLTERMAN
 SUPERINTENDENT OF HIGHWAYS

MIDLOTHIAN CREEK CULVERT
 137 TH. STREET AND KEDZIE AVENUE
 CHANNEL DETAIL - 137TH STREET PAVING DETAIL

COMPUTED: D.A.P.
 CHECKED: P.F.V. I.A.B.
 DRAWN: J.G.C.
 CHECKED: P.F.V. I.A.B.

EXAMINED: 7-25-79
 CHIEF ENGINEER OF DESIGN

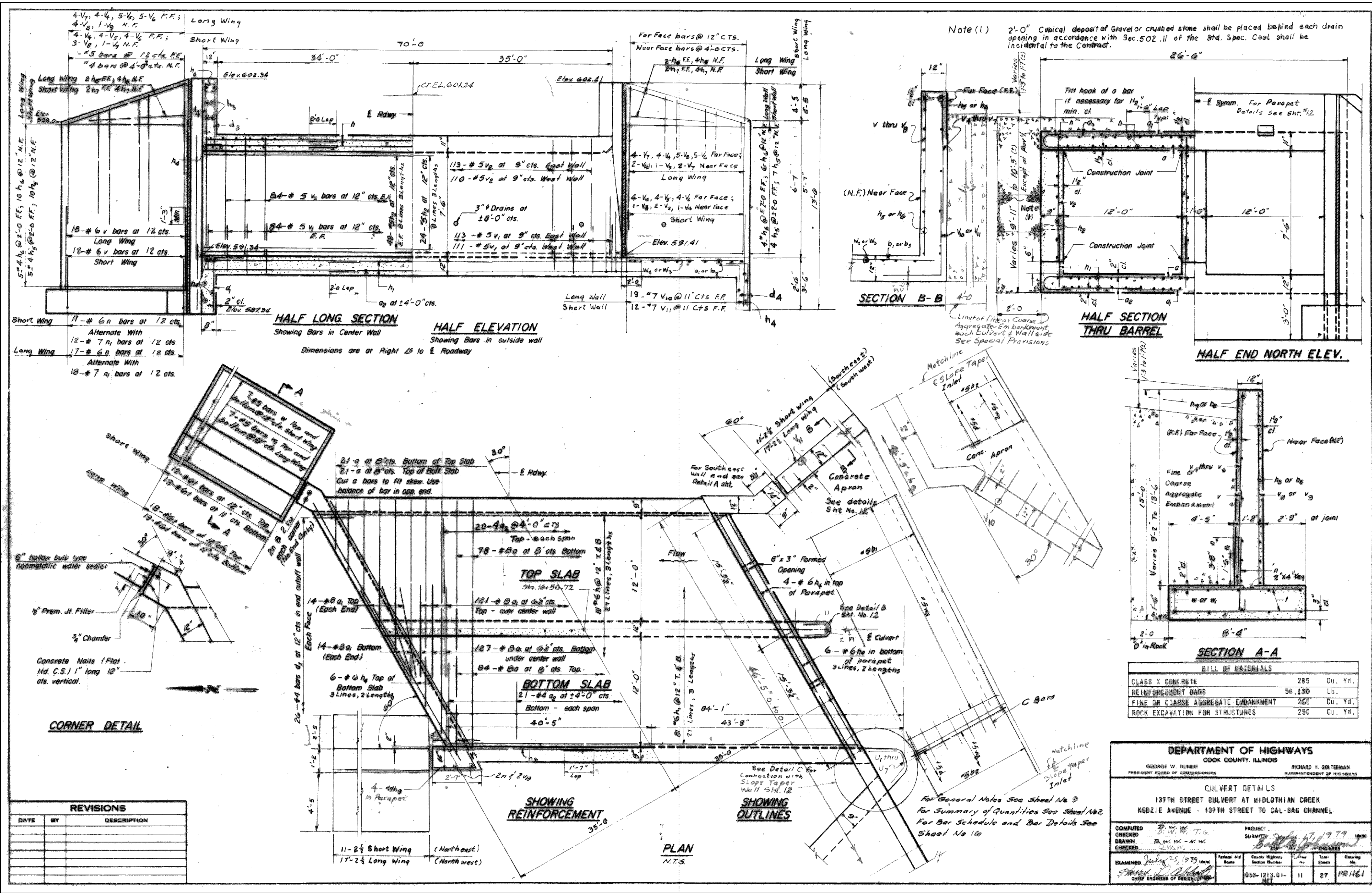
SUBMITTED: July 24, 1979
 DESIGN ENGINEER

Route	SECTION NUMBER	Sheet No.	Total Sheets	Drawing No.
053	050-12/3.01 H.F.T.	10	27	

CONTRACT 14-253-5F
 FLOOD CONTROL PROJECT ON
 MIDLOTHIAN CREEK IN ROBBINS, CSA
 LITTLE CALUMET RIVER WATERSHED
 KEDZIE AVE MAIN DRAIN
 SHEET 10

Sheet Number:
R-003

REFERENCE ONLY - NOT TO SCALE
 This Reference Drawing is based upon archival data in possession of MWRDCC. It is presented solely for information purpose. Reference drawing is not to be modified or change. MWRDCC makes no guarantee as to the accuracy of the information, nor is it to be used to execute contract work.

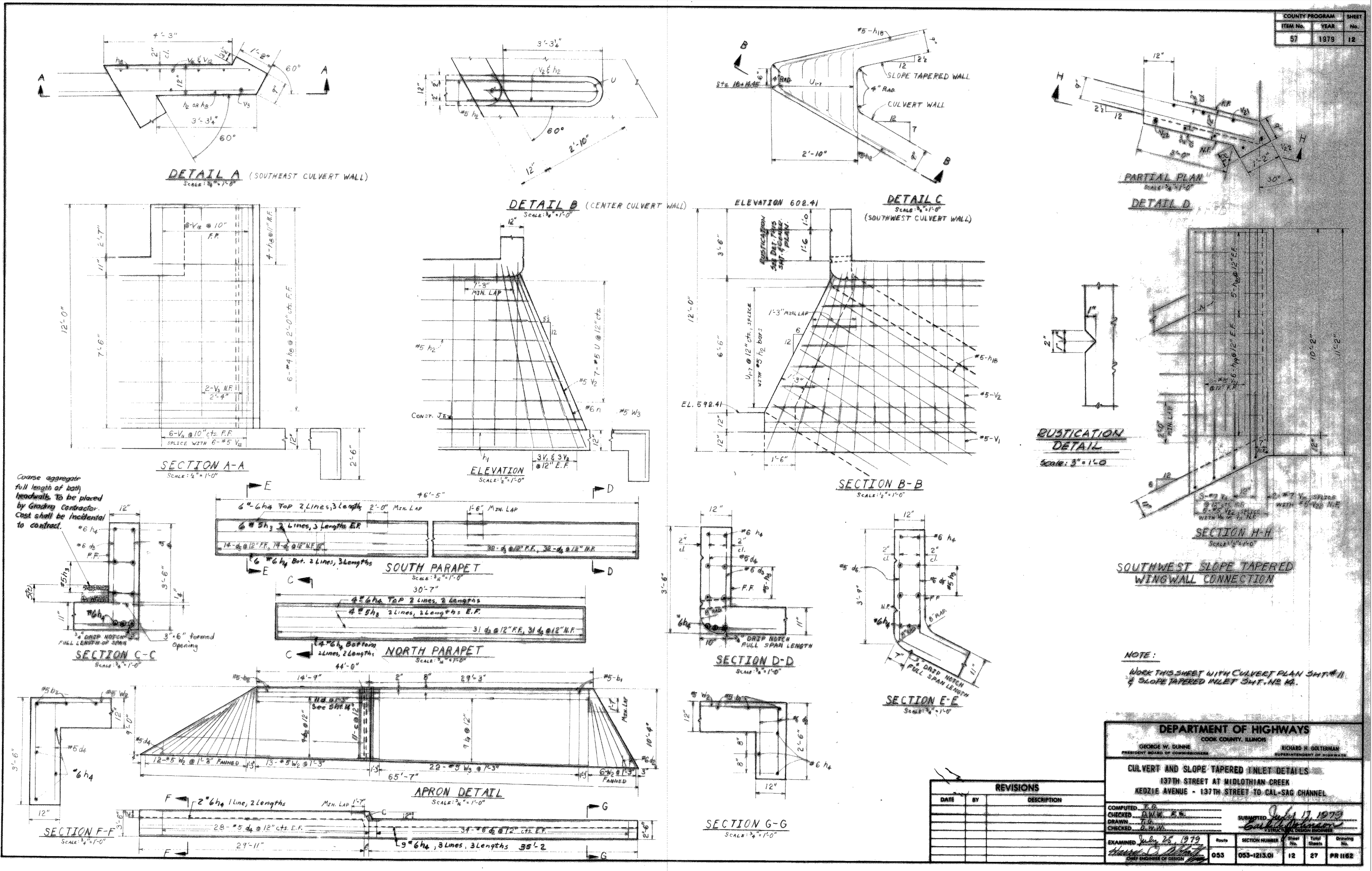


REFERENCE ONLY - NOT TO SCALE

This Reference Drawing is based upon archival data in possession of MWRDC. It is presented solely for information purpose. Reference drawing is not to be modified or change. MWRDC makes no guarantee as to the accuracy of the information, nor is it to be used to execute contract work.

CONTRACT 14-253-5F
 FLOOD CONTROL PROJECT ON
 MIDLOTHIAN CREEK IN ROBBINS, CSA
 LITTLE CALUMET RIVER WATERSHED
 KEDZIE AVE MAIN DRAIN
 SHEET 11

Sheet Number:
 R-004



REFERENCE ONLY - NOT TO SCALE

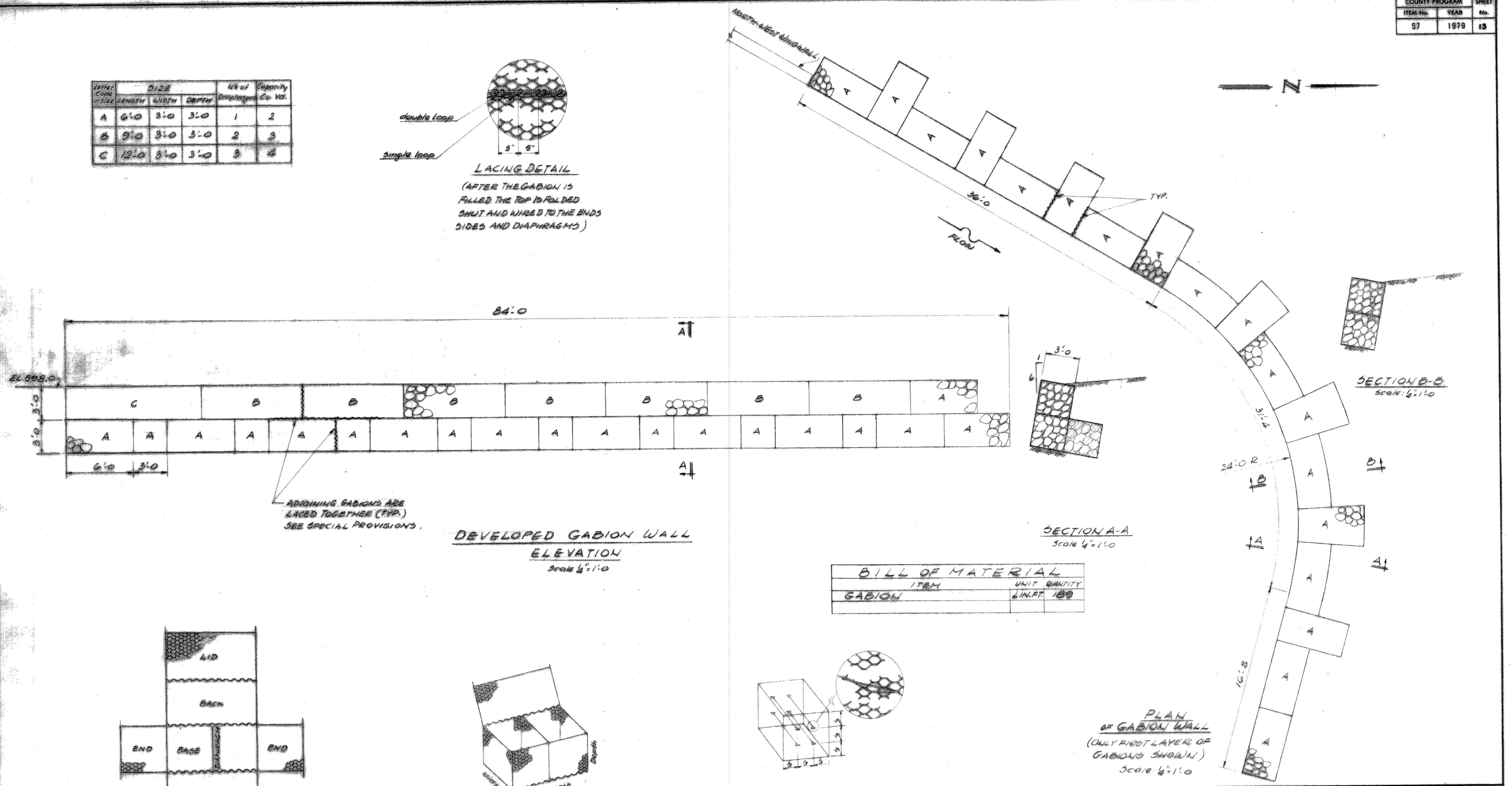
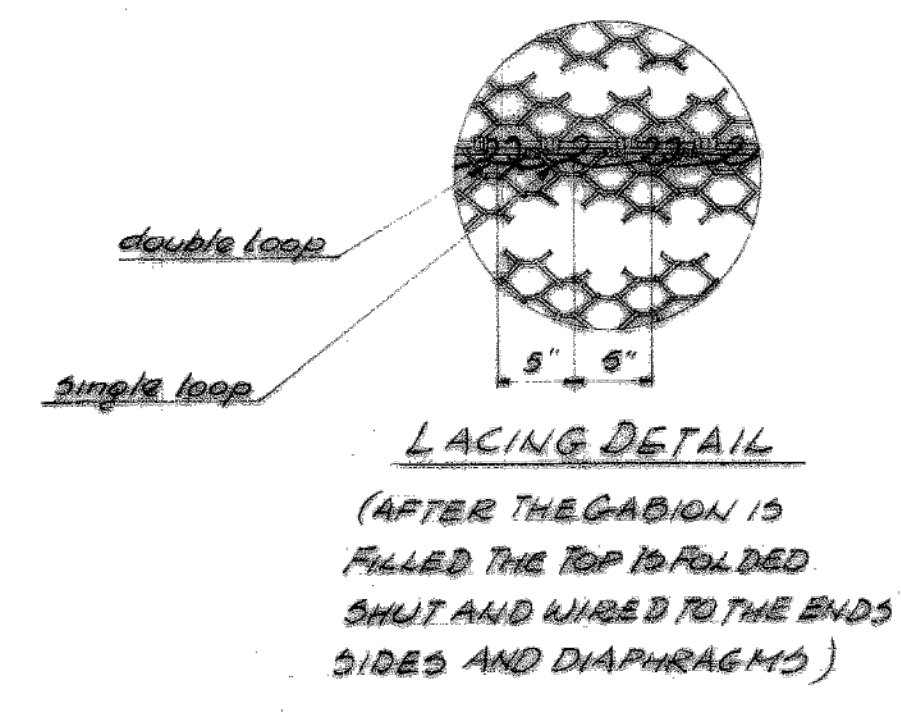
This Reference Drawing is based upon archival data in possession of MWRDC. It is presented solely for information purpose. Reference drawing is not to be modified or change. MWRDC makes no guarantee as to the accuracy of the information, nor is it to be used to execute contract work.

CONTRACT 14-253-5F
 FLOOD CONTROL PROJECT ON
 MIDLOTHIAN CREEK IN ROBBINS, CSA
 LITTLE CALUMET RIVER WATERSHED
 KEDZIE AVE MAIN DRAIN
 SHEET 12

Sheet Number:
R-005

COUNTY PROGRAM			SHEET
ITEM No.	YEAR	No.	No.
57	1979	13	

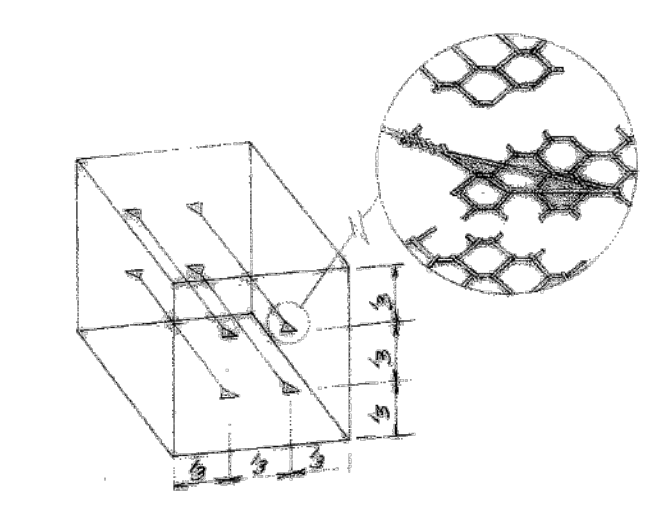
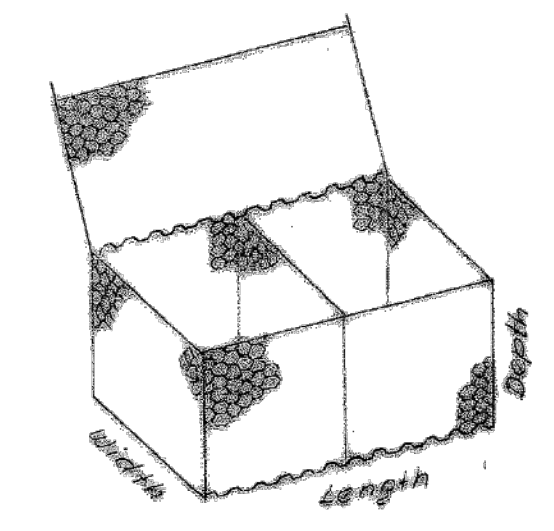
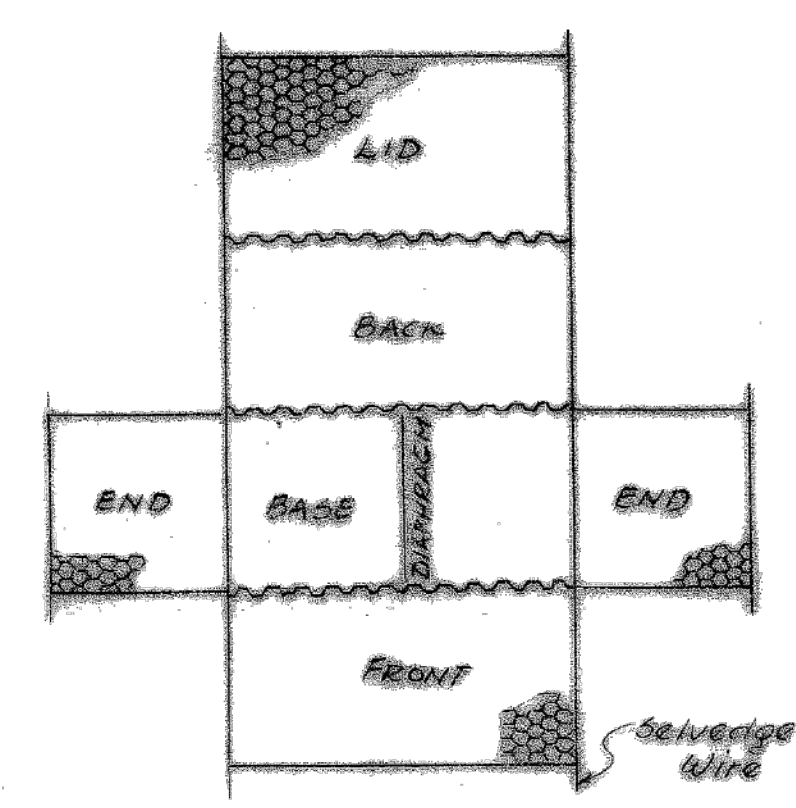
Letter Code	SIZE			No. of Diaphragms	Capacity Co. Vol.
	Length	Width	Depth		
A	6'-0"	3'-0"	3'-0"	1	2
B	9'-0"	3'-0"	3'-0"	2	3
C	12'-0"	3'-0"	3'-0"	3	4



ADJOINING GABIONS ARE LACED TOGETHER (TYP.) SEE SPECIAL PROVISIONS.

BILL OF MATERIAL

ITEM	UNIT	QUANTITY
GABION	LIN. FT.	100



REVISIONS

DATE	BY	DESCRIPTION

DEPARTMENT OF HIGHWAYS
 COOK COUNTY, ILLINOIS

GEORGE W. DUNNE
 PRESIDENT BOARD OF COMMISSIONERS

RICHARD H. GOLTERMAN
 SUPERINTENDENT OF HIGHWAYS

GABION DETAILS
 187TH STREET CULVERT AT MIDLOTHIAN CREEK
 KEDZIE AVENUE - 187TH STREET TO CAL-SAG CHANNEL

COMPUTED: [Signature]
 CHECKED: [Signature]
 DRAWN: [Signature]
 CHECKED: [Signature]

DATE: July 17, 1979
 SUBMITTED: [Signature]

EXAMINED: [Signature]
 DATE: July 26, 1979
 CHIEF ENGINEER OF DESIGN

Route	SECTION NUMBER	Sheet No.	Total Sheets	Drawing No.
053	053-1213.01	13	27	PR 1163

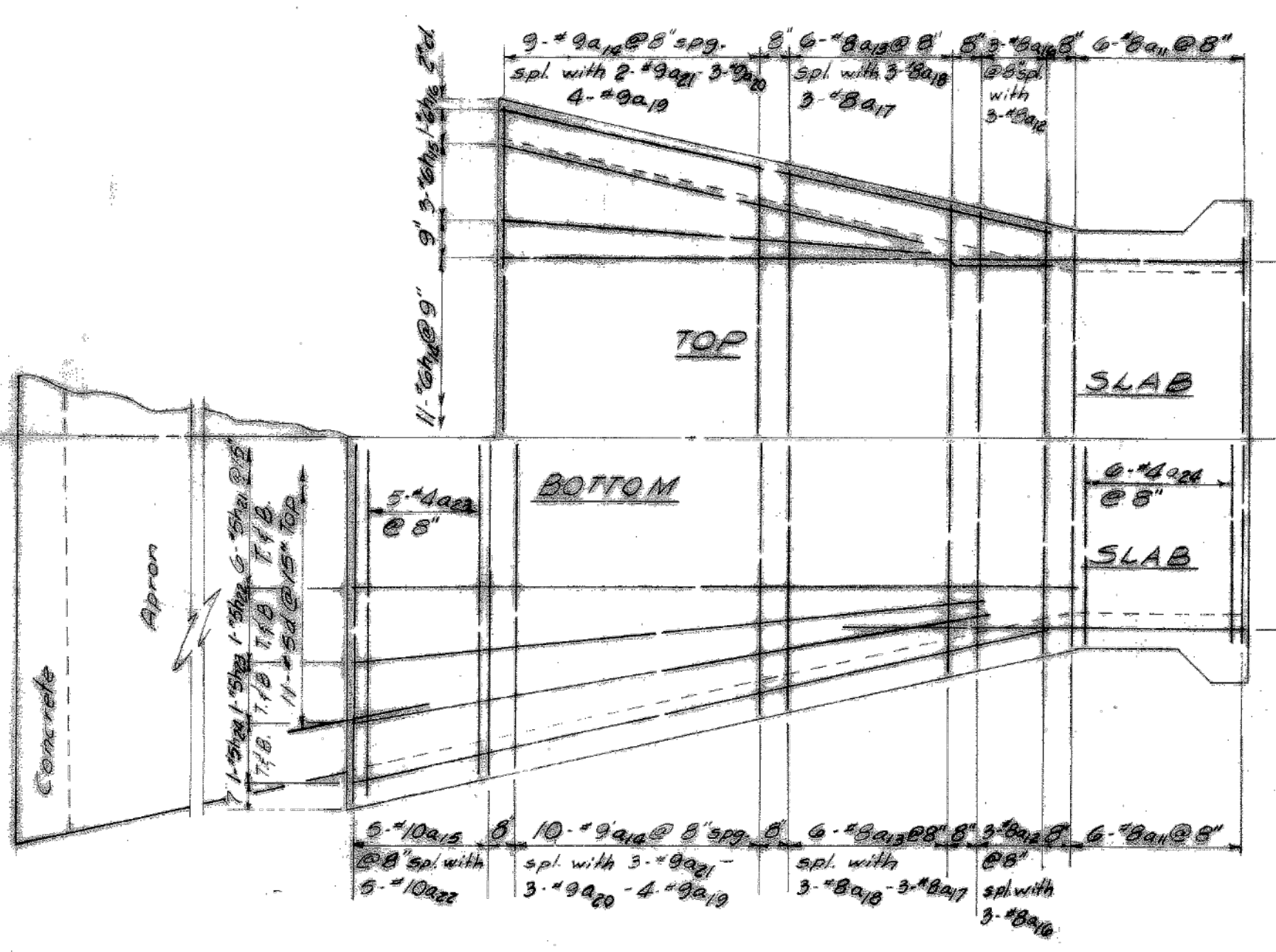
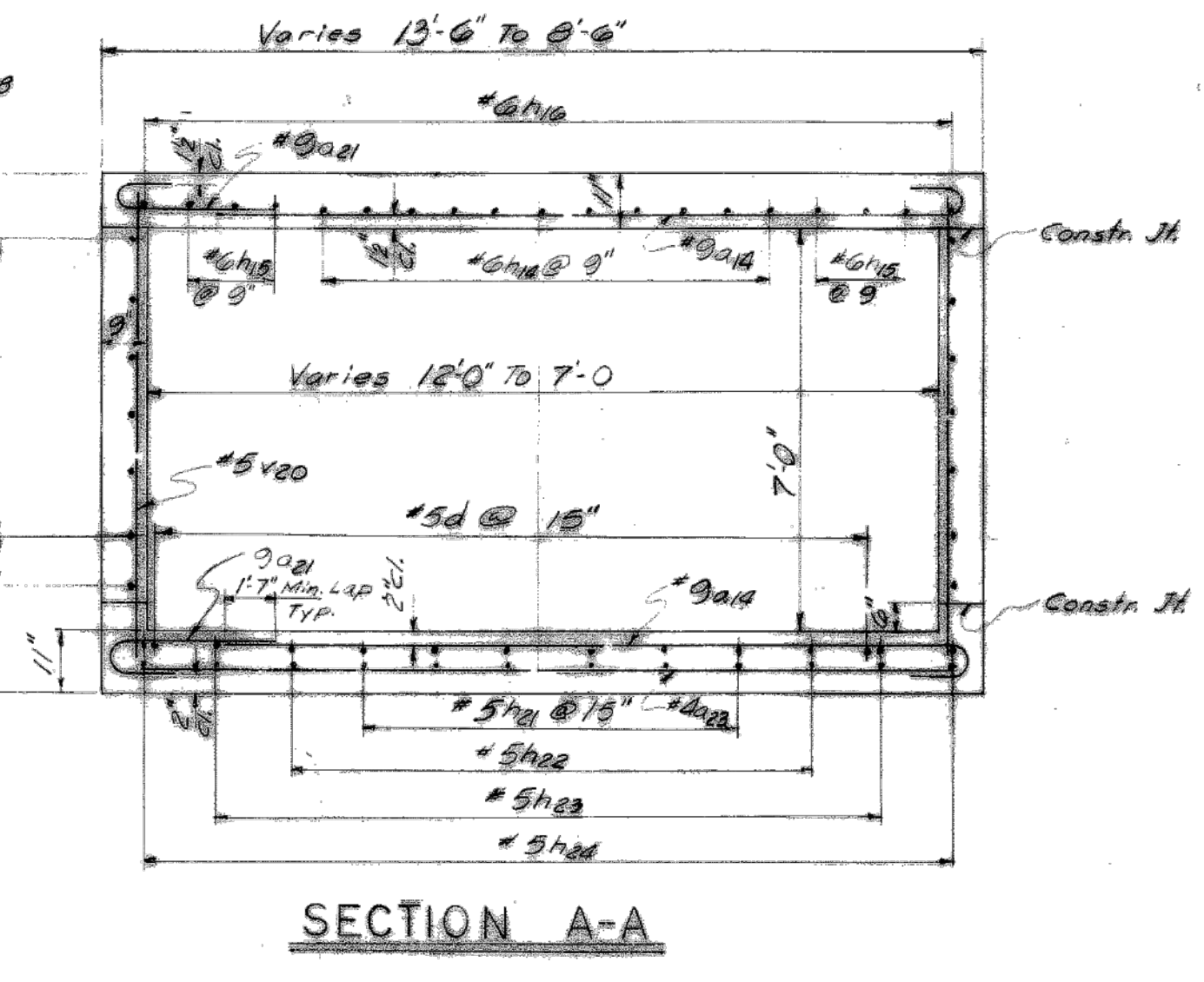
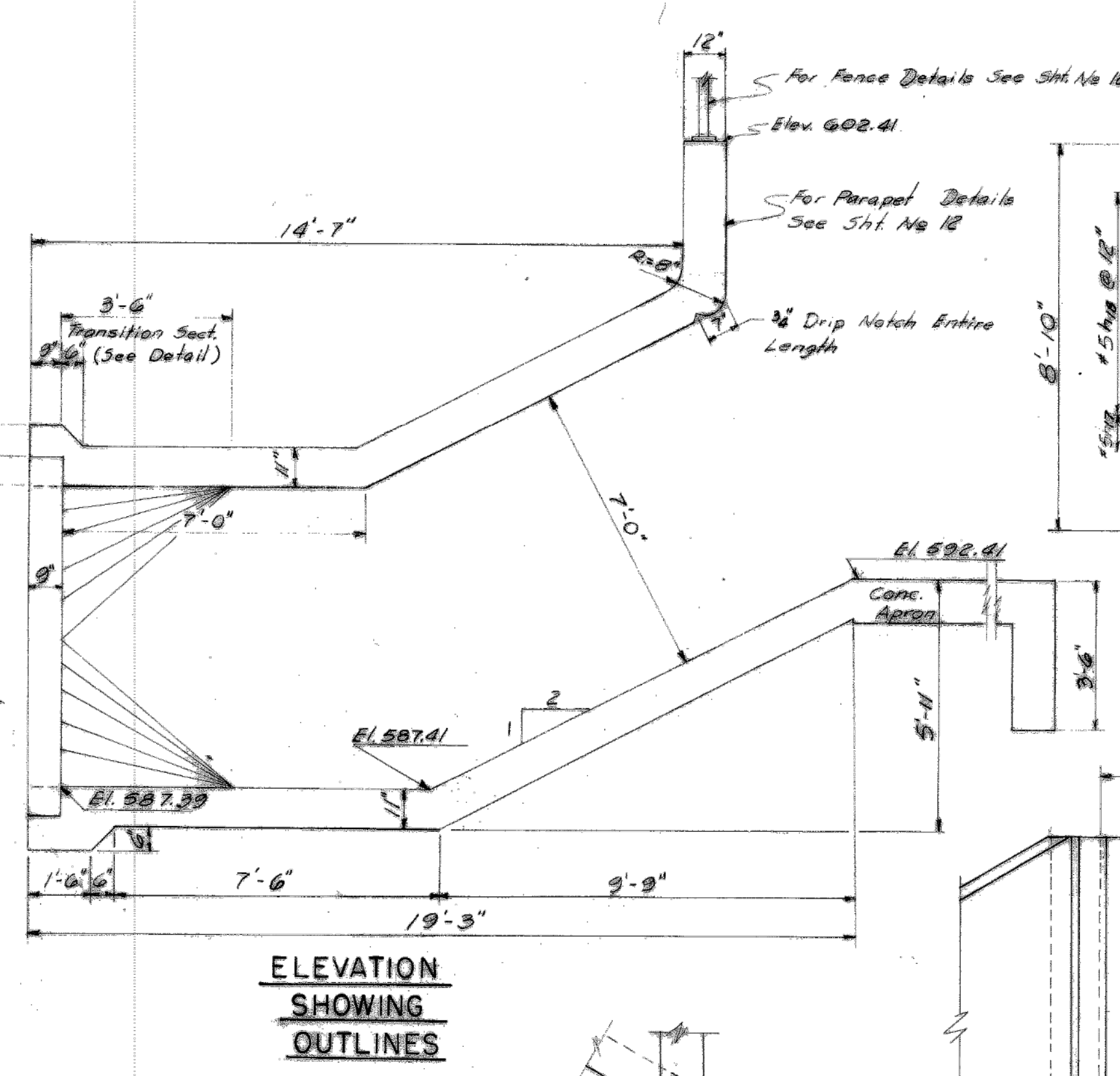
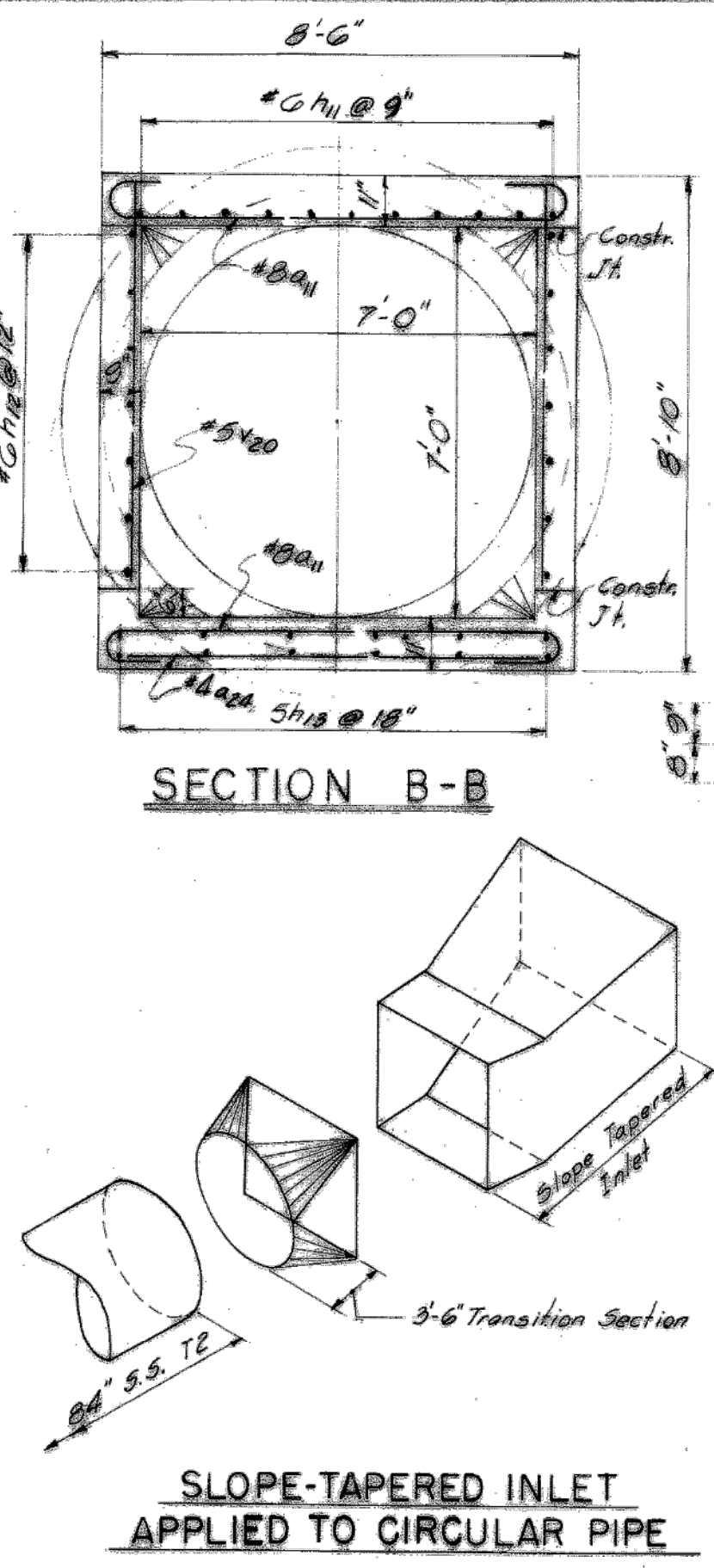
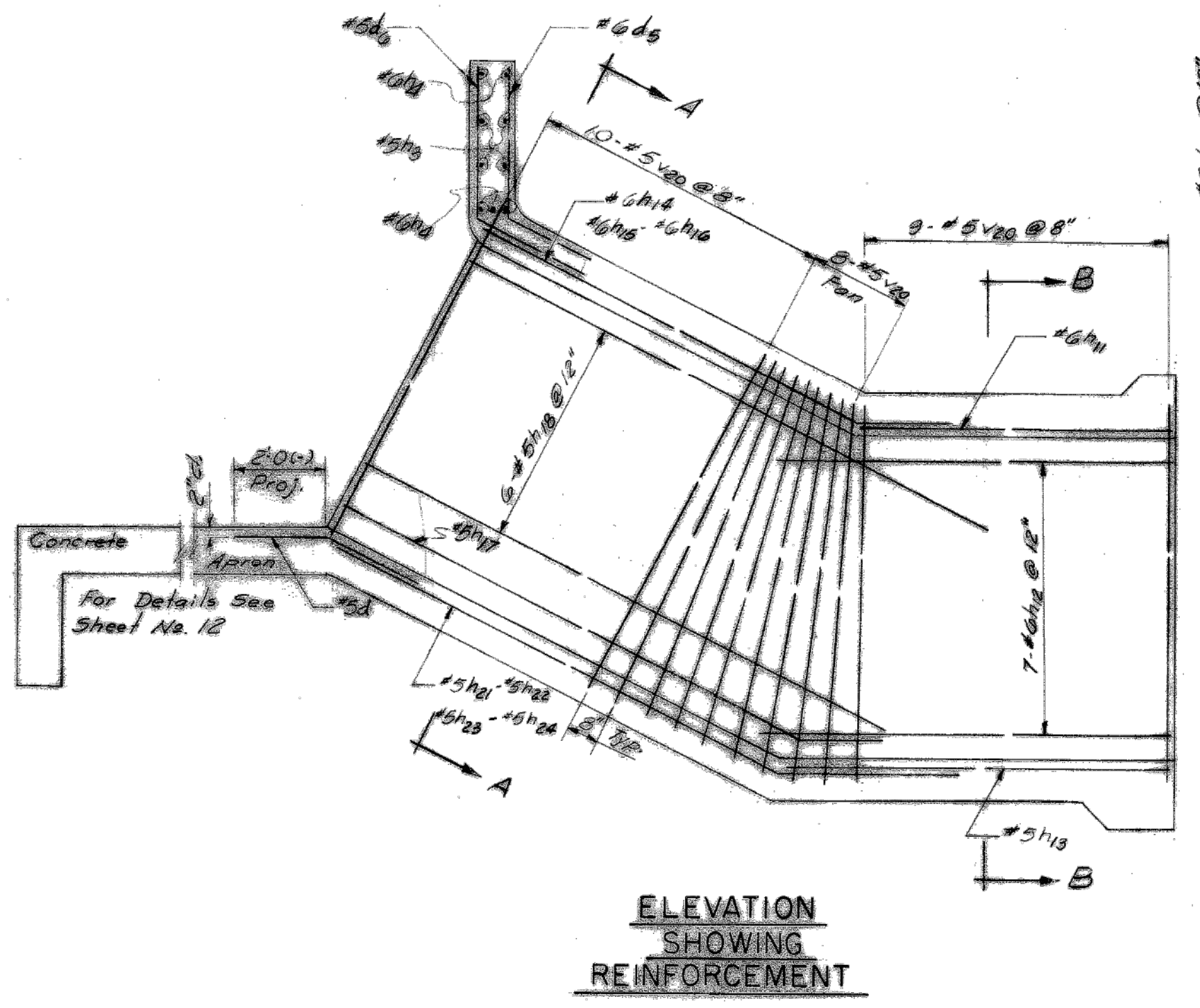
CONTRACT 14-253-5F
 FLOOD CONTROL PROJECT ON
 MIDLOTHIAN CREEK IN ROBBINS, CSA
 LITTLE CALUMET RIVER WATERSHED
 KEDZIE AVE MAIN DRAIN
 SHEET 13

Sheet Number:
R-006

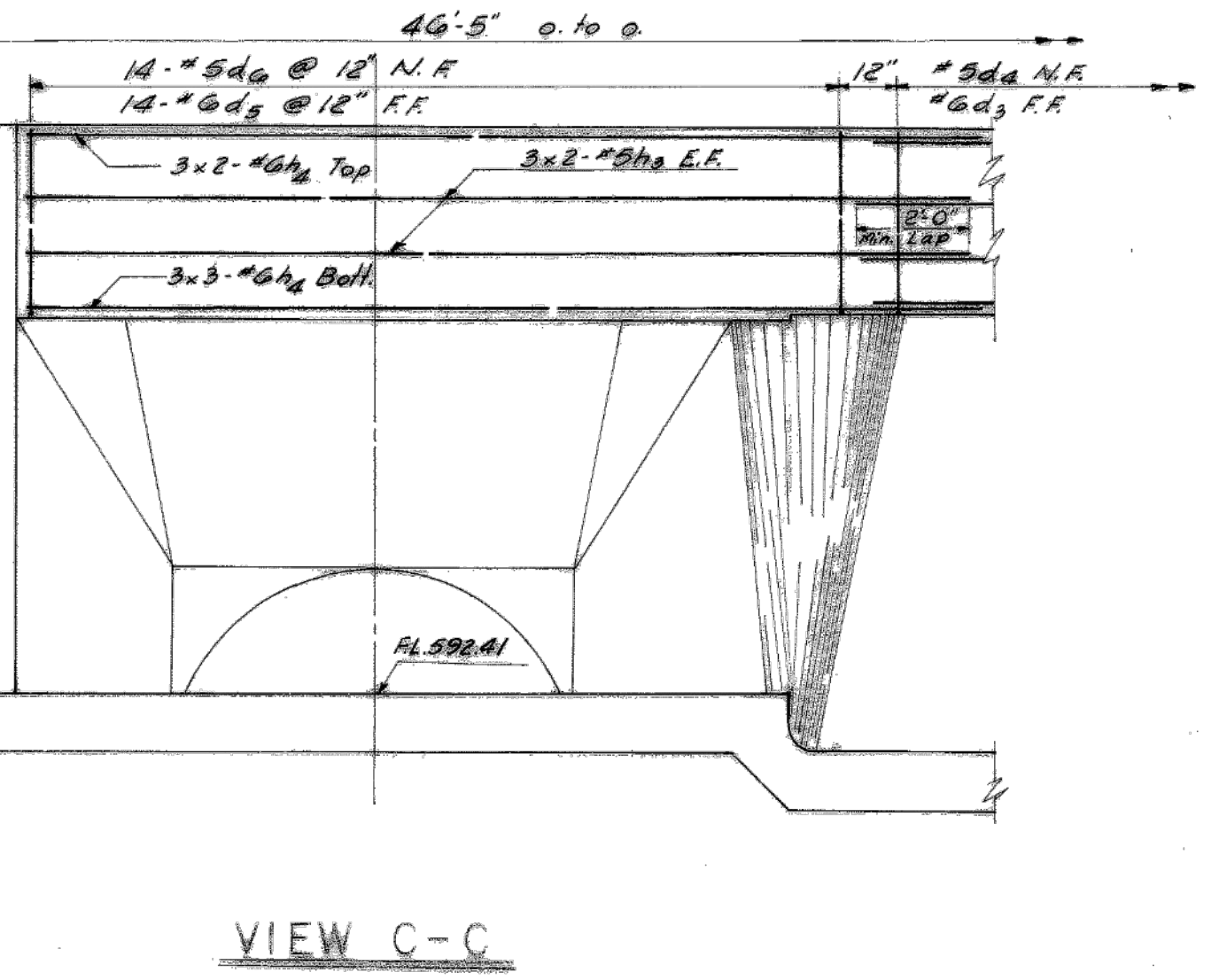
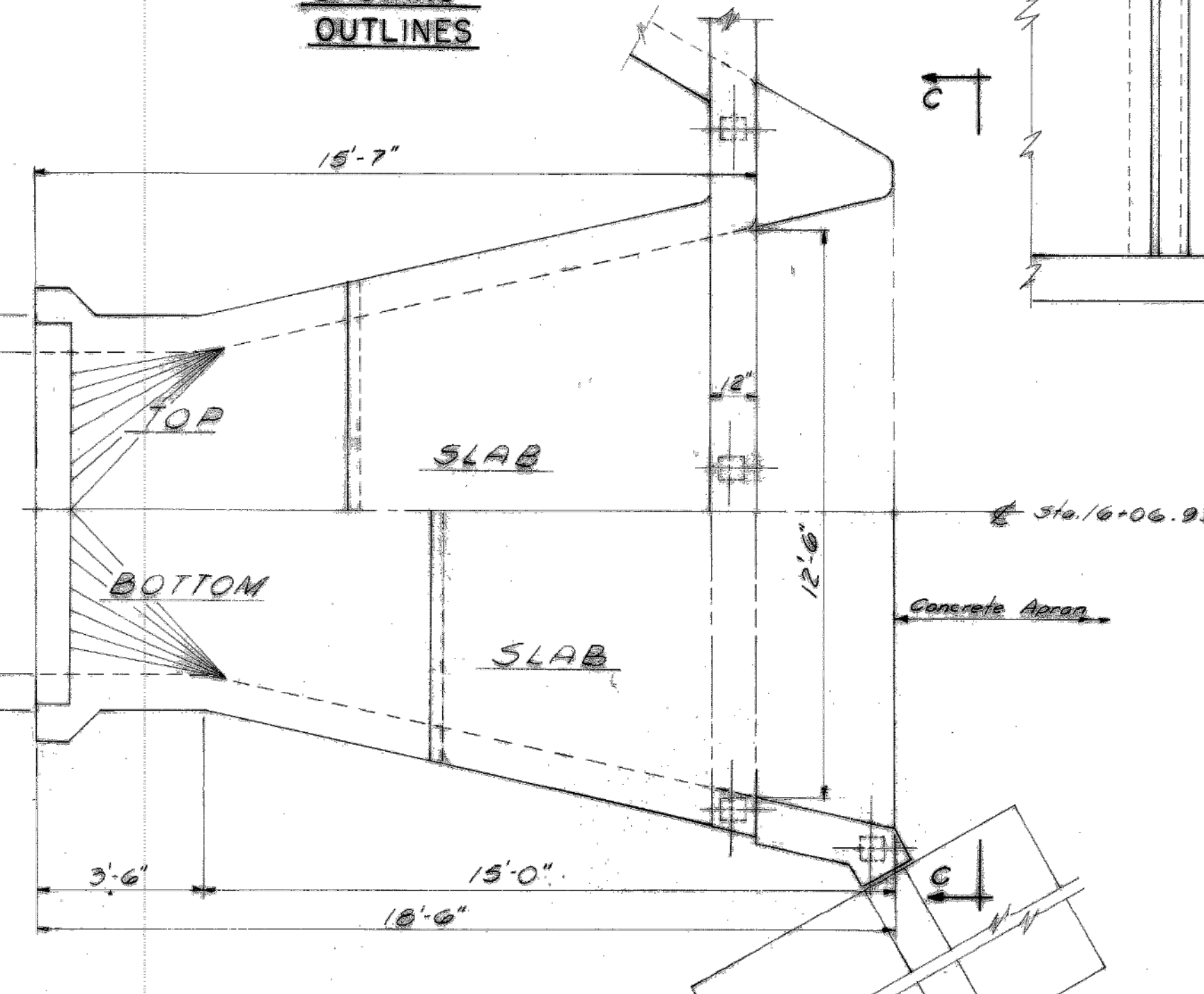
REFERENCE ONLY - NOT TO SCALE

This Reference Drawing is based upon archival data in possession of MWRDCC. It is presented solely for information purposes. Reference drawing is not to be modified or change. MWRDCC makes no guarantee as to the accuracy of the information, nor is it to be used to execute contract work.

COUNTY PROGRAM		SHEET
ITEM No.	YEAR	No.
57	1979	14



SLAB DETAILS
 Scale: 3/8" = 1'-0"



BILL OF MATERIAL

Class X Concrete	25 Cu.Yd.
Reinforcement Bars	4470 Lb.

For General Notes See Sheet No. 8.
 For Summary of Quantities See Sheet No. 2.
 For Bar Schedule and Bar Details See Sheet No. 10.
 Work This Sheet with Sheet No. 11 & 12.

REVISIONS		
DATE	BY	DESCRIPTION

DEPARTMENT OF HIGHWAYS
 COOK COUNTY, ILLINOIS

GEORGE W. DUNNE
 PRESIDENT, BOARD OF COMMISSIONERS

RICHARD H. GOLTERMAN
 SUPERINTENDENT OF HIGHWAYS

SLOPE TAPERED INLET DETAILS
 137TH STREET AT MIDLOTHIAN CREEK
 KEDZIE AVENUE - 137TH STREET TO CAL-SAG CHANNEL

COMPUTED: J. M. W. J. R.
 CHECKED: J. M. W. J. R.
 DRAWN: J. M. W. J. R.
 CHECKED: J. M. W. J. R.

EXAMINED: J. M. W. J. R.
 CHIEF ENGINEER OF DESIGN

SECTION NUMBER: 053
 SHEET NO.: 14
 TOTAL SHEETS: 27
 DRAWING NO.: RR1164

CONTRACT 14-253-5F
 FLOOD CONTROL PROJECT ON
 MIDLOTHIAN CREEK IN ROBBINS, CSA
 LITTLE CALUMET RIVER WATERSHED
 KEDZIE AVE MAIN DRAIN
 SHEET 14

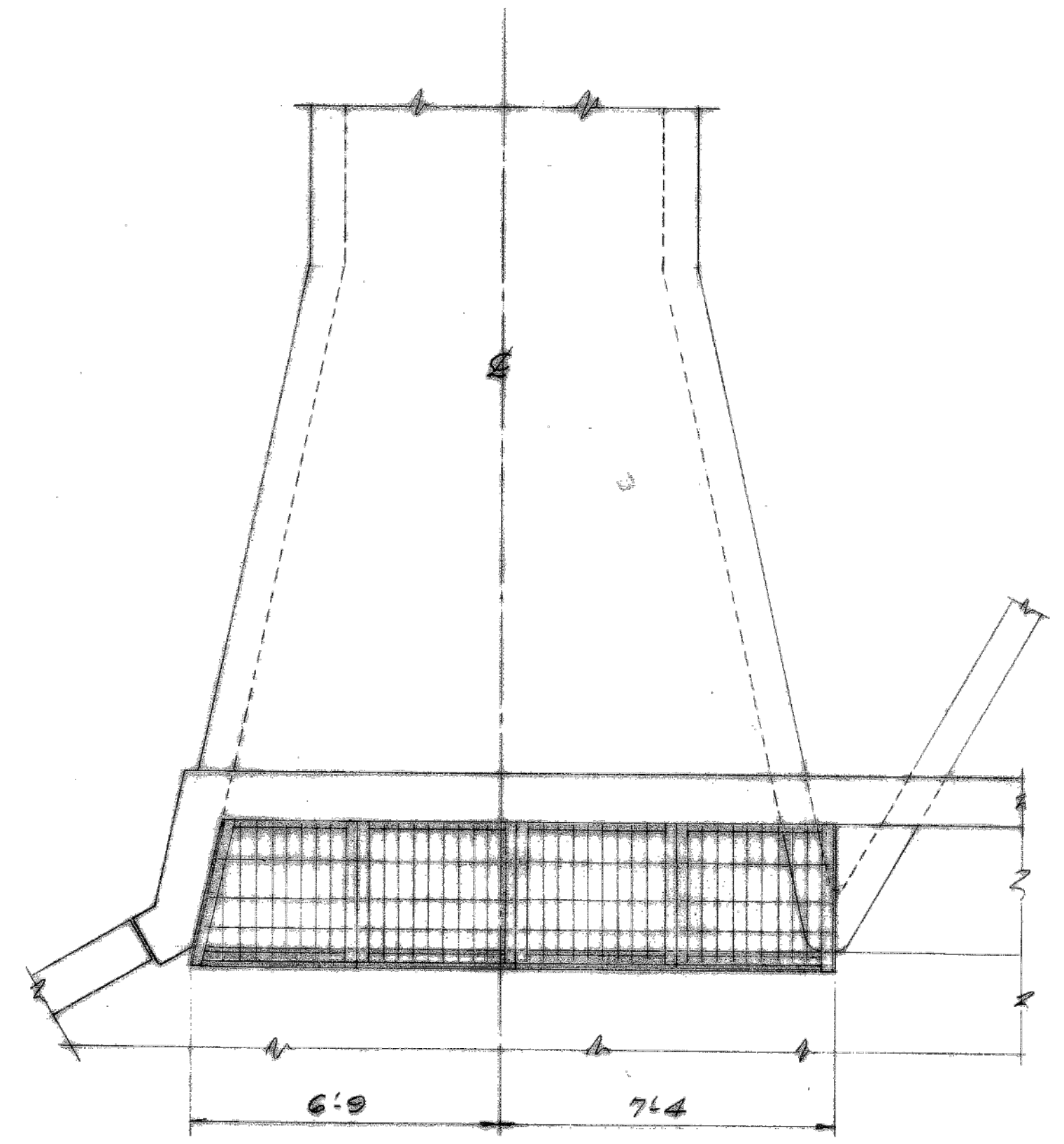
Sheet Number:
R-007

REFERENCE ONLY - NOT TO SCALE

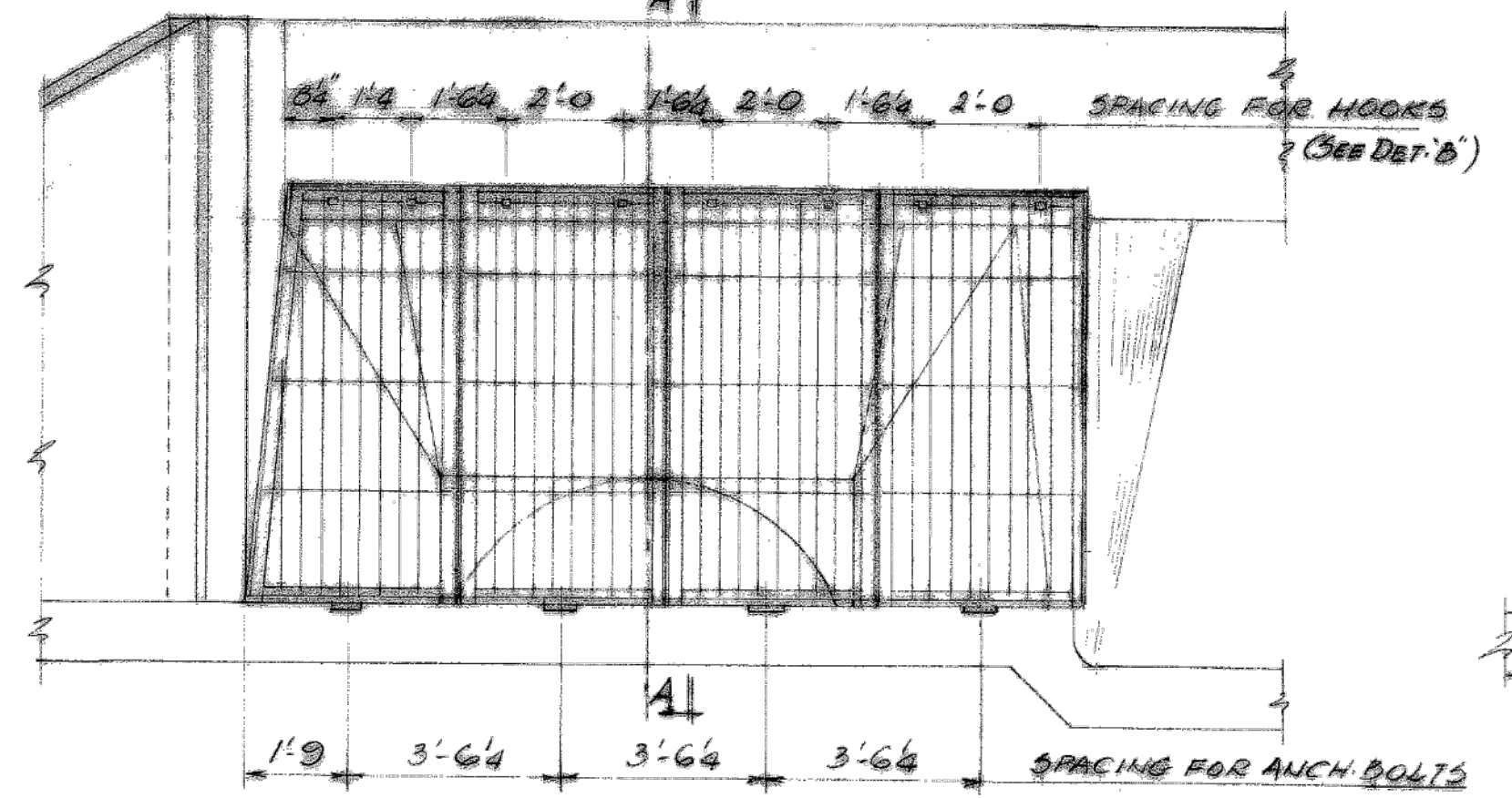
This Reference Drawing is based upon archival data in possession of MWRDCC. It is presented solely for information purposes. Reference drawing is not to be modified or change. MWRDCC makes no guarantee as to the accuracy of the information, nor is it to be used to execute contract work.

PLOT DATE: 2/7/2024 3:51 PM PLOTTED BY: MADRID, MICHELLE
 P:\13278ch\Drawings\Contracts\14-253-3F\Reference\Sheets\14-253-BF\R-008.dwg 11/17/2023 4:14 PM

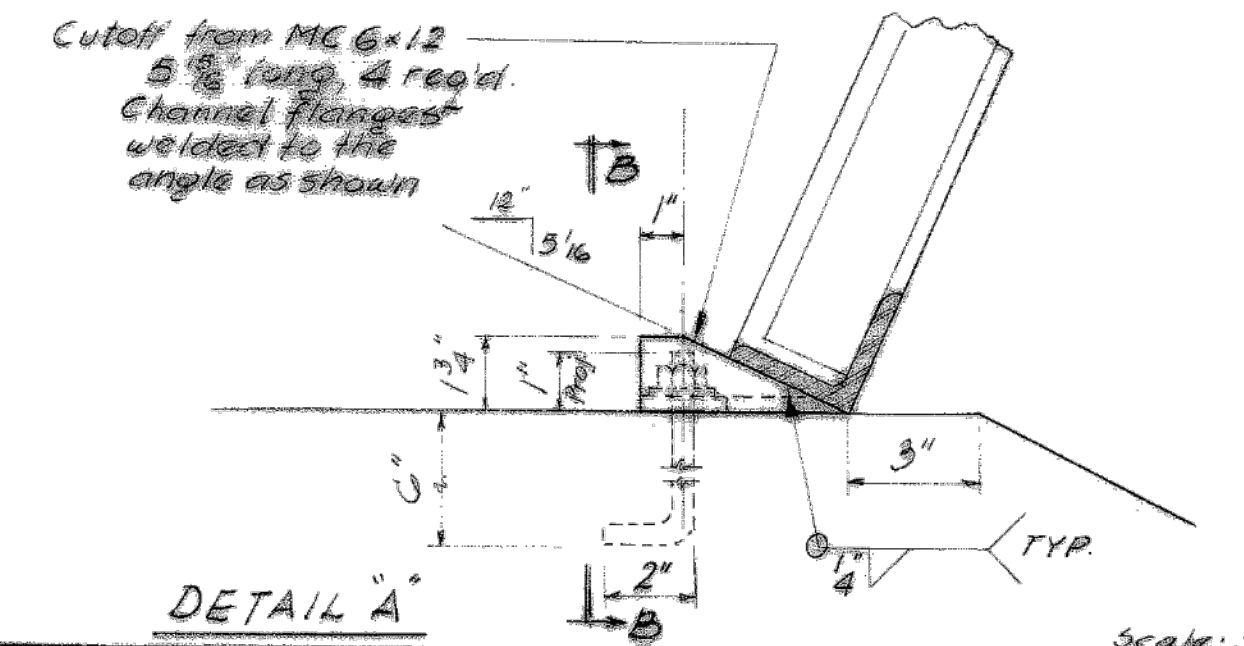
COUNTY PROGRAM		SHEET
ITEM No.	YEAR	No.
57	1979	15



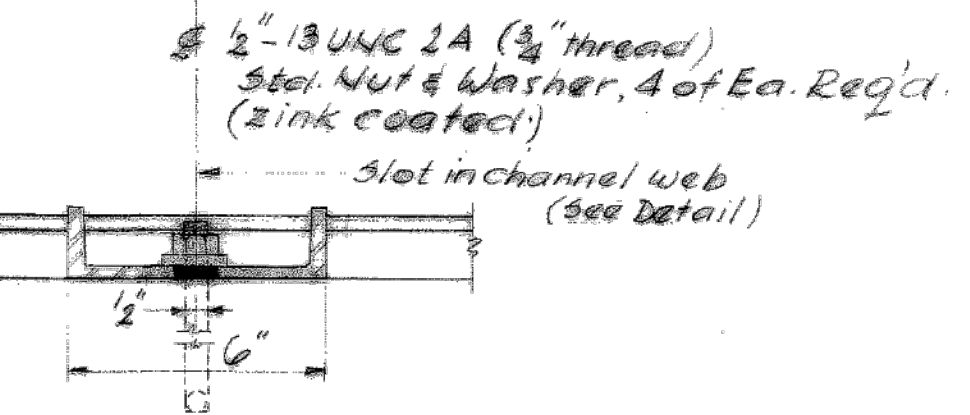
PLAN
Scale: 3/8"=1'-0"



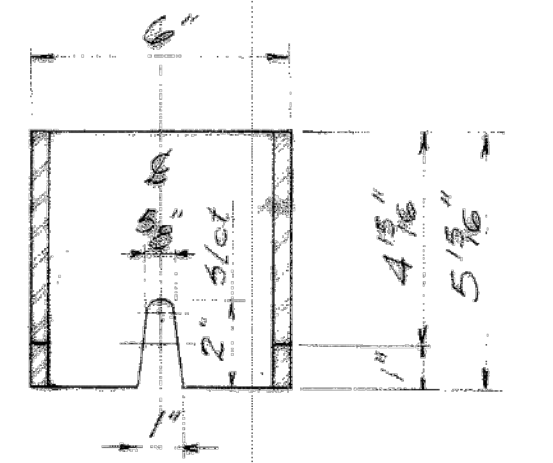
ELEVATION
Scale: 3/8"=1'-0"



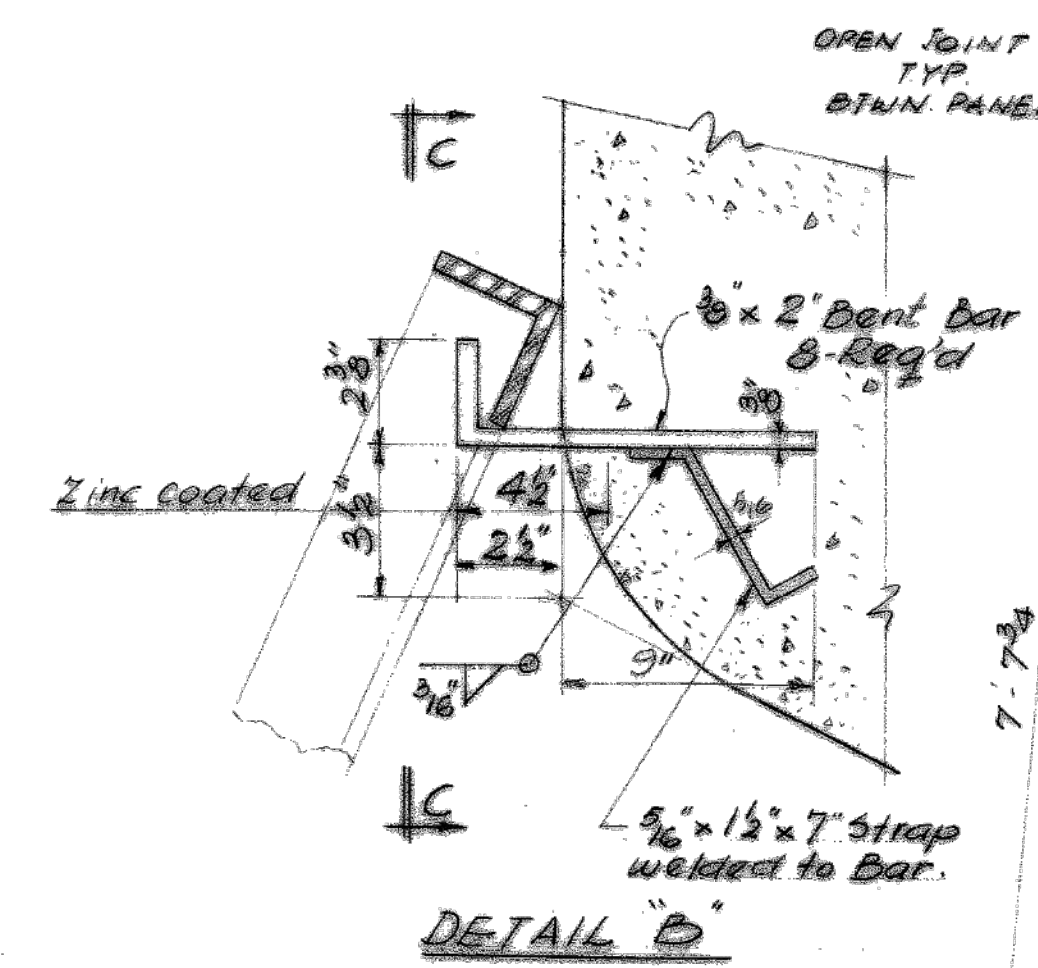
DETAIL A
Scale: 3/8"=1'-0"



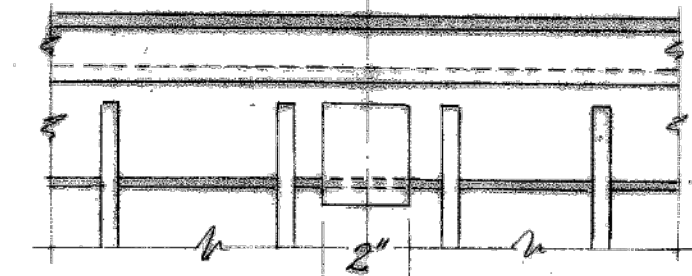
VIEW B-B
Scale: 3/8"=1'-0"



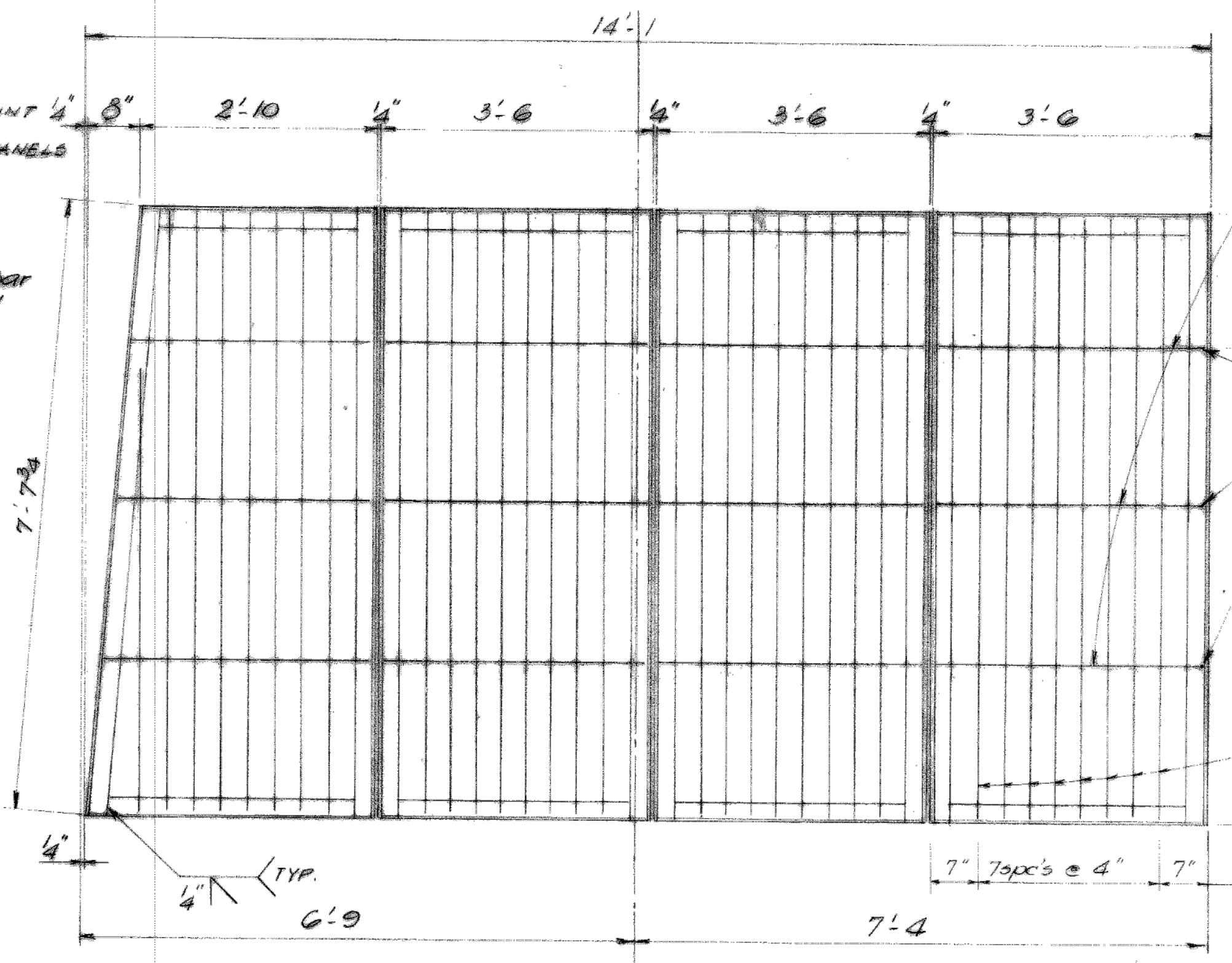
DETAIL OF CHANNEL CUTOFF
Scale: 3/8"=1'-0"



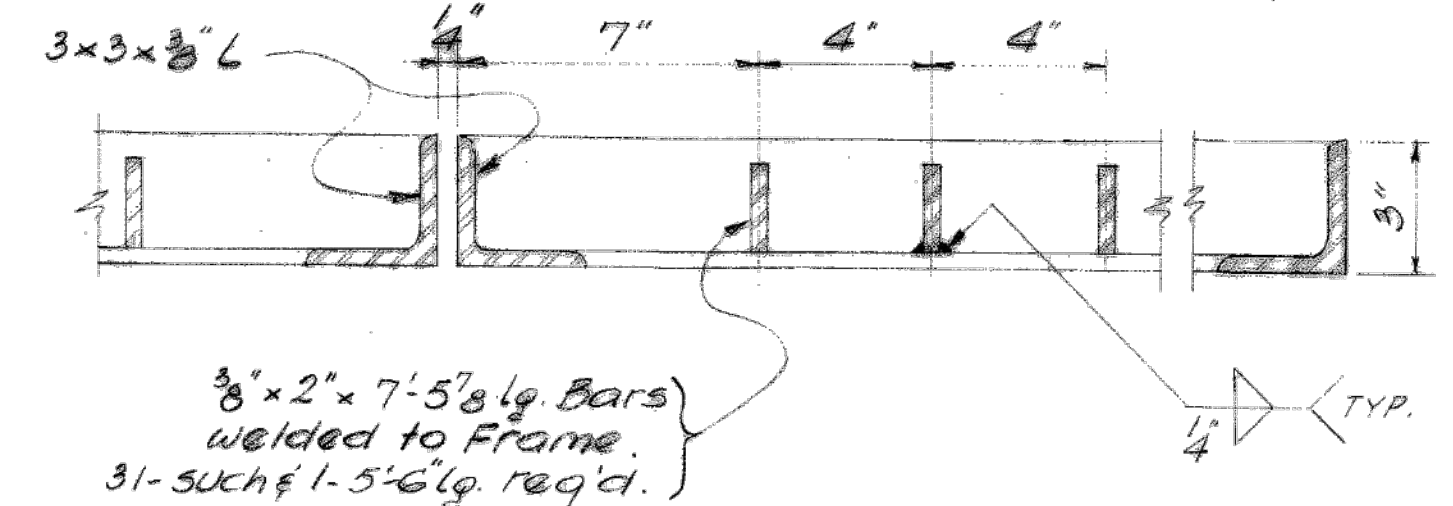
DETAIL B
Scale: 3/8"=1'-0"



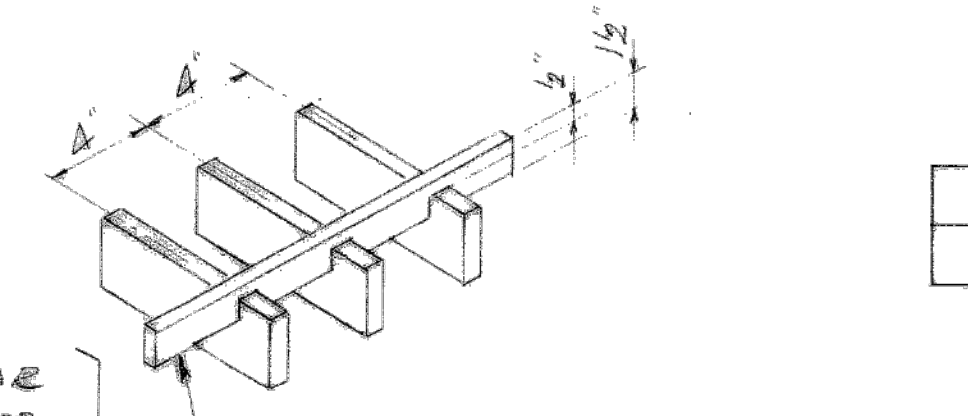
VIEW C-C
Scale: 3/8"=1'-0"



GRATE PLAN
Scale: 3/8"=1'-0"



TYPICAL CROSS SECTION
Scale: 3/8"=1'-0"



DETAIL OF GRATING
(Grate fabricated by resistance welding)

3/8" x 1/2" BARS (SEE DET. OF GRATING BELOW)
 Tack Weld (TYP.)
 3/8" x 2" BARS (SEE DET. BELOW)
 7" TYP. SPACING EACH PANEL

NOTE:
 The material for steel grate shall conform to Article 710.04 of the Standard Specifications and shall be galvanized to A.A.S.H.T.O. designation M-111.
 Fabrication and welding of grate shall be done before galvanizing. The slots in the channels shall be made before galvanizing.
 All welding to be continuous unless otherwise noted. All welding to be done in accordance with Art. 507.04 (s) of current Standard Specifications for Road and Bridge Construction, State of Illinois. Cost to be incidental to the cost of Grating.
 Hardware for attaching the grating to the wingwall shall be zinc coated in accordance with A.A.S.H.T.O. M-232 or A.S.T.M. A-164, Type GG. Place hardware in forms before casting wall concrete. Cost to be incidental to the cost of Class X Concrete.
 The unit price bid per square foot for GRATING shall include the cost of furnishing and erecting including all labor, material, hardware fabrication and galvanizing of the grate as shown herein.

BILL OF MATERIAL	
Grating	105 Sq. Ft.

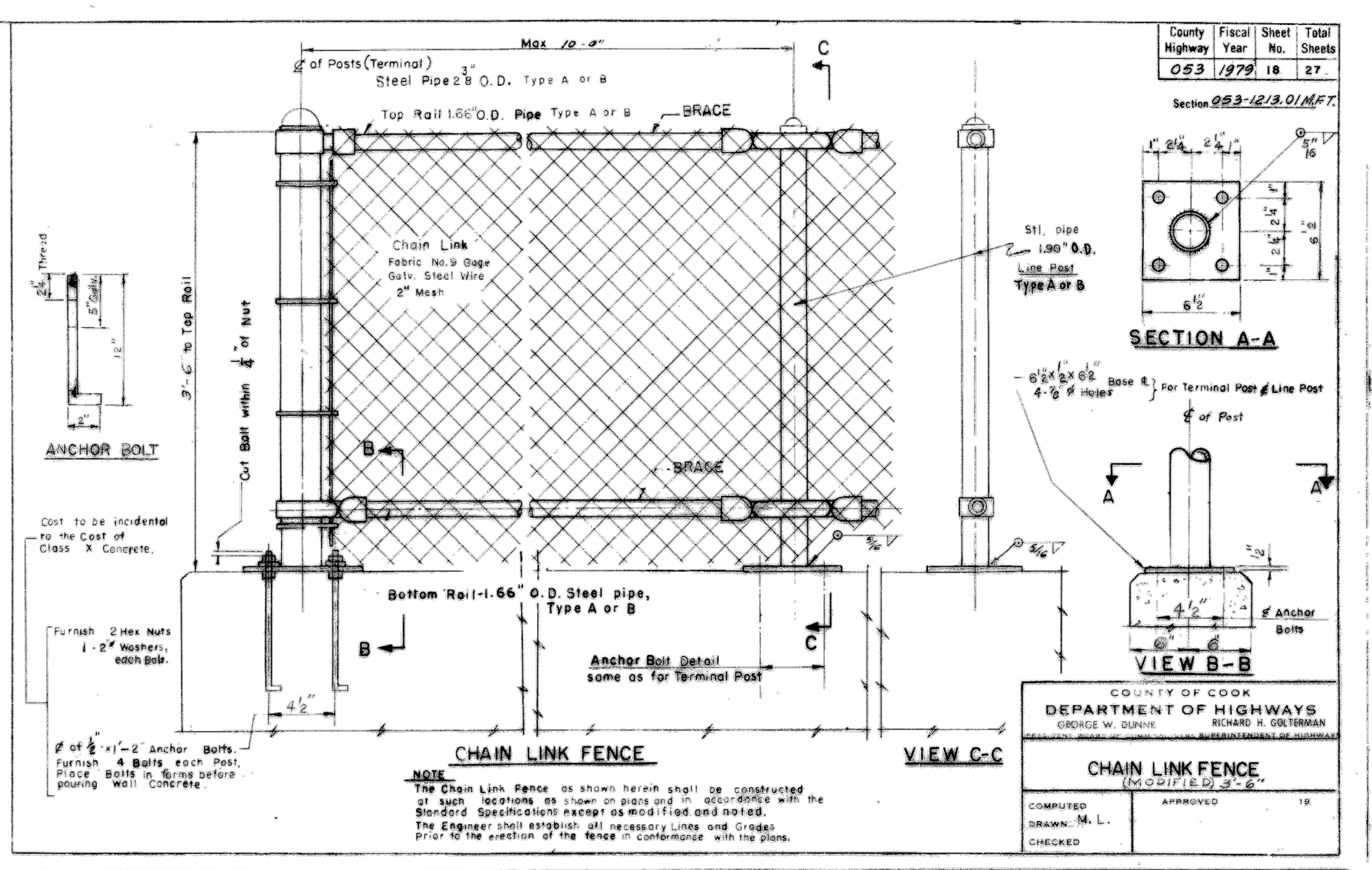
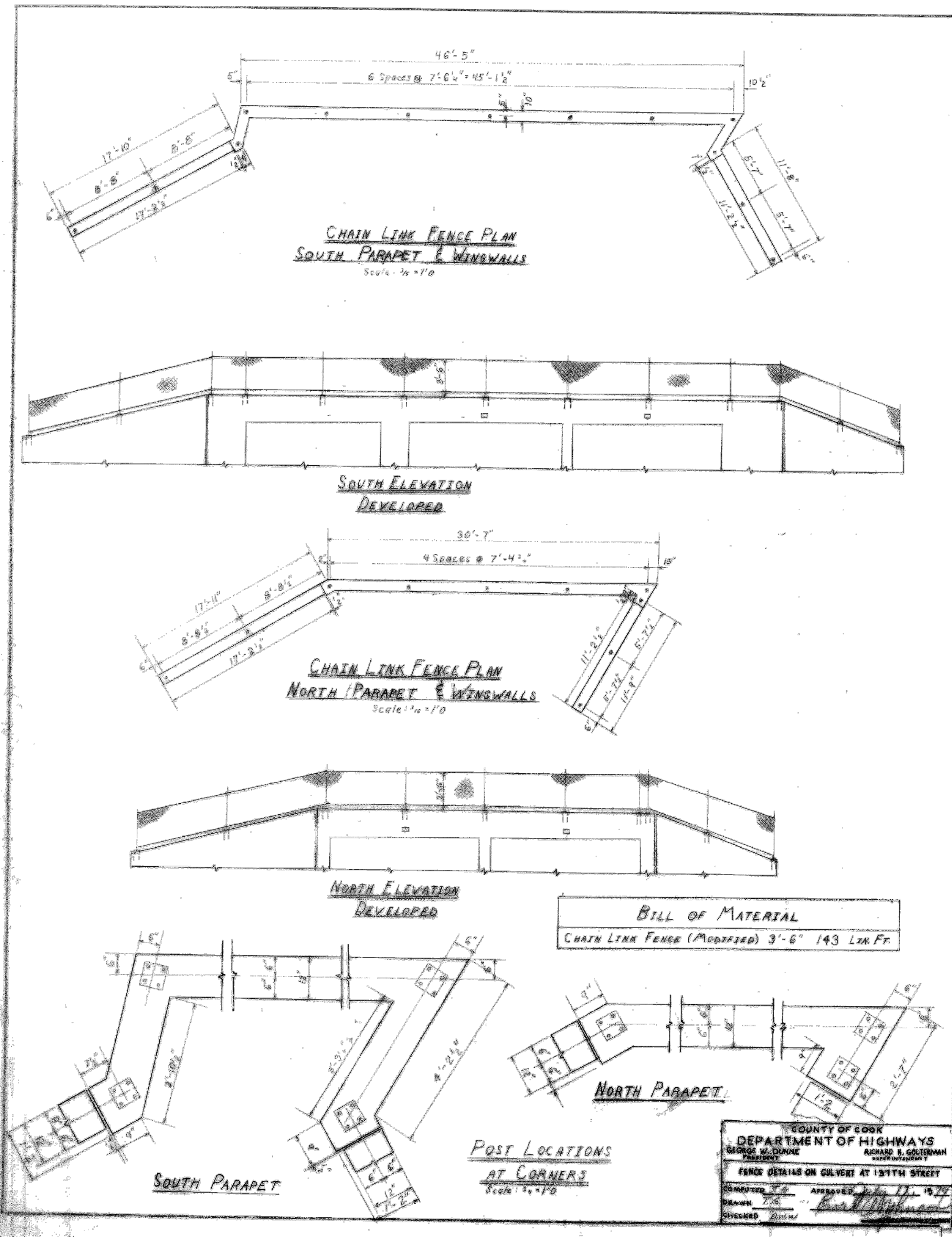
REVISIONS		
DATE	BY	DESCRIPTION

DEPARTMENT OF HIGHWAYS COOK COUNTY, ILLINOIS GEORGE W. DUNNE PRESIDENT BOARD OF COMMISSIONERS		RICHARD H. GOLTERMAN SUPERINTENDENT OF HIGHWAYS	
SLOPE TAPERED INLET GRATING DETAILS 137TH STREET AT MIDLOTHIAN CREEK KEDZIE AVENUE - 137TH STREET TO CAL-SAG CHANNEL			
COMPUTED: <i>D.W.M., P.E.</i> CHECKED: <i>[Signature]</i> DRAWN: <i>[Signature]</i> CHECKED: <i>[Signature]</i>	SUBMITTED: <i>July 17, 1979</i> STRUCTURAL ENGINEER		
EXAMINED: <i>July 25, 1979</i> CHIEF ENGINEER OF DESIGN	Route: 055	SECTION NUMBER: 055-1215.01	Sheet No.: 15 Total Sheets: 27 Drawing No.: PR1165

CONTRACT 14-253-5F
 FLOOD CONTROL PROJECT ON
 MIDLOTHIAN CREEK IN ROBBINS, CSA
 LITTLE CALUMET RIVER WATERSHED
 KEDZIE AVE MAIN DRAIN
 SHEET 15

Sheet Number:
 R-008

REFERENCE ONLY - NOT TO SCALE
 This Reference Drawing is based upon archival data in possession of MWRDC. It is presented solely for information purpose. Reference drawing is not to be modified or change. MWRDC makes no guarantee as to the accuracy of the information, nor is it to be used to execute contract work.



**MIDLOTHIAN CREEK
 BUILT 19XX BY
 COOK COUNTY
 SECTION 053-1213.01MFT.
 DESIGN LOADING HS20-44**

BILL OF MATERIAL
 Name Plates 1 Each

NOTES:
 - PLATES SHALL BE FURNISHED AND INSTALLED AS SPECIFIED IN SECTION 514 OF THE STANDARD SPECIFICATIONS FOR ROAD AND BRIDGE CONSTRUCTION ADOPTED JULY 1, 1976, AND AS SHOWN ON THE PLANS.
 - MATERIAL - BEST QUALITY BRASS OR BRONZE. BORDER & LETTERS - RAISED 1/8 INCH. SQUARE CUT AND NOT TAPERED. TOP SURFACE POLISHED.

DEPARTMENT OF HIGHWAYS
 COUNTY OF COOK
 GEORGE W. DUNNE, PRESIDENT
 RICHARD H. GOLTERMAN, SUPERINTENDENT
NAME PLATES
 COMPUTED: M.L. APPROVED: [Signature] 12/15/74
 DRAWN: M.L.
 CHECKED: [Signature]

1-16-75

**BUILT AS SHOWN
 EXCEPT AS NOTED**

Date _____ Contractor _____
 Date _____ MWRD Resident Engineer _____

CONTRACT 14-253-5F
 FLOOD CONTROL PROJECT ON
 MIDLOTHIAN CREEK IN ROBBINS, CSA
 LITTLE CALUMET RIVER WATERSHED
 KEDZIE AVE MAIN DRAIN
 SHEET 19

Sheet Number:
R-010

REFERENCE ONLY - NOT TO SCALE

This Reference Drawing is based upon archival data in possession of MWRDC. It is presented solely for information purpose. Reference drawing is not to be modified or change. MWRDC makes no guarantee as to the accuracy of the information, nor is it to be used to execute contract work.

P:\13278ch\Drawings\Contracts\14-253-3F\Reference\Sheets\14-253-BF\R-011.dwg 1/10/2024 11:32 AM

County Highway	Fiscal Year	Sheet No.	Total Sheets
W46	1987	1	104

Section: 82-W4612-02-R.P.



STATE OF ILLINOIS
 COUNTY OF COOK
 DEPARTMENT OF HIGHWAYS

**PLANS FOR PROPOSED
 COUNTY HIGHWAY**

KEDZIE AVENUE
 139TH STREET TO 135TH STREET

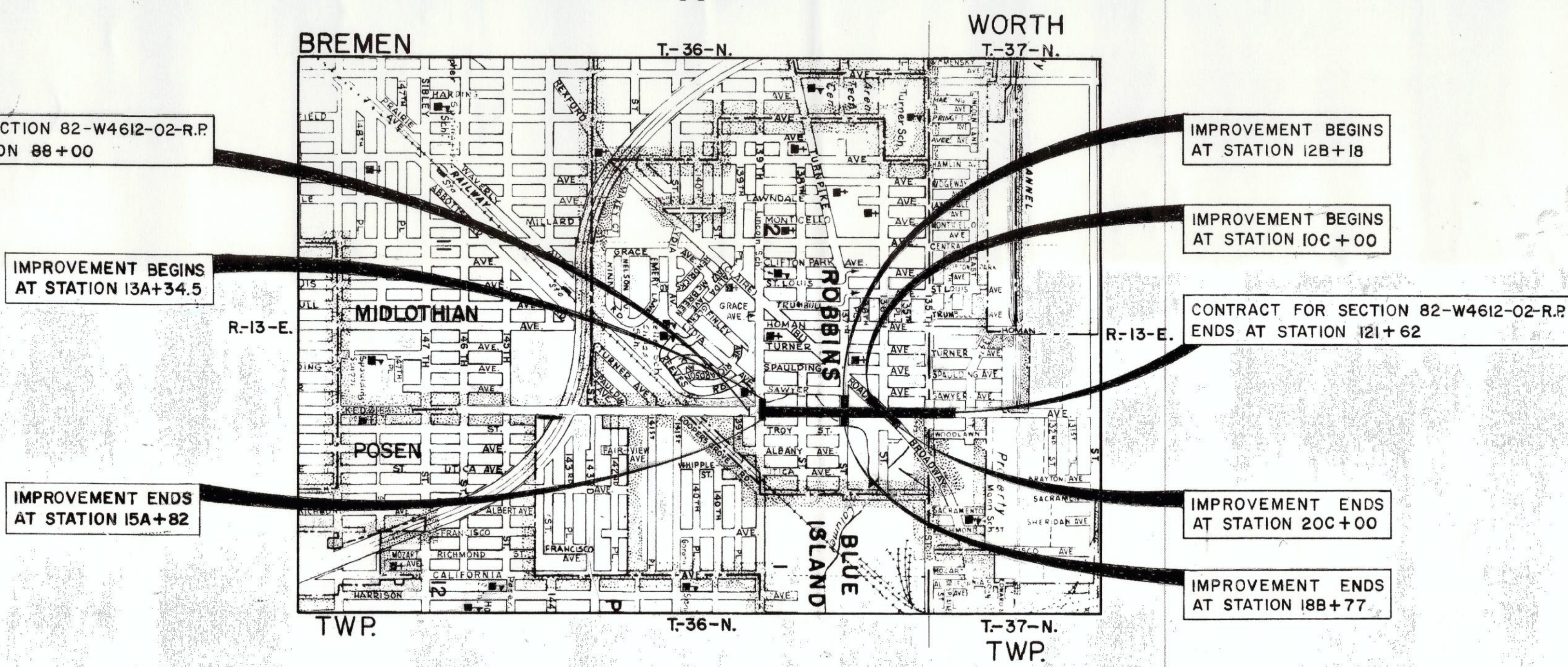
COUNTY HIGHWAY W46 SECTION 82-W4612-02-R.P.

FOR INDEX OF SHEETS, SEE SHEET No 2

REFERENCE ONLY - NOT TO SCALE

This Reference Drawing is based upon archival data in possession of MWRDCC. It is presented solely for information purpose. Reference drawing is not to be modified or change. MWRDCC makes no guarantee as to the accuracy of the information, nor is it to be used to execute contract work.

- STANDARD SYMBOLS**
- PROPOSED GRADE LINE (PROFILE)
 - GUARD RAIL (PROPOSED)
 - CENTER LINE OF CONSTRUCTION
 - CONSTRUCTION JOINT
 - CONSTRUCTION JOINT
 - DIRECTION OF DRAINAGE
 - SUMMIT
 - BALANCE POINT
 - ELEVATION OF POINT INDICATED
 - EXISTING INLET, ADJUST TO BE RECONSTRUCTED
 - INLET TO BE FILLED
 - EXISTING CATCH BASIN (RECONSTRUCT)
 - CATCH BASIN TO BE FILLED
 - EXISTING MANHOLE (RECONSTRUCT)
 - MANHOLE TO BE FILLED
 - MANHOLE TO BE FILLED
 - EXISTING SEWER (DIAMETER & TYPE)
 - MONOLITHIC CONCRETE CULVERT (LENGTH, DIAMETER & TYPE)
 - EXISTING PIPE CULVERT (LENGTH, DIAMETER & TYPE)
 - LOCATION OF RAMPED SIDEWALK
 - CONVENTIONAL SIGNS FOR SHEET NO 1
- SECTION TOWNSHIP OR GRANT LINE
 - CITY OR VILLAGE LIMITS
 - RAILROAD OR UTILITY TRACKS
 - ROW OR PROPERTY LINE
 - SECTION CORNER
 - FENCE (BARBED WIRE)
 - FENCE (NO DISTINCTION)
 - GUARD POST (EXISTING)
 - GUARD RAIL (EXISTING)
 - MARSH
 - STREAM
 - TREES (WITH DIAMETER)
 - HEDGE
 - TRAVELED WAY
 - VALVE VAULT - WATER (W) GAS (G)
 - METER VAULT (DOMESTIC)
 - UTILITY CO. MANHOLE - TEL. (T) POWER (E)
 - HANDHOLE
 - BUFFALO BOX (DOMESTIC)
 - FIRE HYDRANT
 - LIGHT POLE
 - TRAFFIC SIGNAL (AUTOMATIC)
 - TRAFFIC SIGN
 - UTILITY CO. POLE & STREET LIGHT
 - TELEPHONE POLE
 - "POWER LINE POLE"
 - R.R. CROSS BUCK
 - R.R. FLASHING LIGHT SIGNALS
 - R.R. FLASHING LIGHT SIGNALS & GATES
 - JOINTLY OWNED POLE
 - TELEPHONE CO. ABOVE GROUND CLOSURE
 - EXISTING HEADWALL AND CULVERT (LENGTH, SIZE & TYPE)



GROSS LENGTH = 3,362 FEET = 0.6367 MILES (KEDZIE AVENUE)
 NET LENGTH = 3,362 FEET = 0.6367 MILES (KEDZIE AVENUE)

THE CONTRACTOR'S ATTENTION IS DIRECTED TO TELEPHONE J.U.L.I.E. 1-800-892-0123 FOR UTILITY LOCATIONS.

DESIGN DESIGNATION
 2070(2004)-AREA SERVICE-I.439 (P.C.C.-20)
 DESIGN SPEED - 45 M.P.H.

COUNTY OF COOK
 DEPARTMENT OF HIGHWAYS

APPROVED: *November 13 19 87*
Alexander M. ...

APPROVED: *November 13 19 87*
Henry ...

APPROVED: *November 13 19 87*
...

SUPERINTENDENT

STATE OF ILLINOIS
 DEPARTMENT OF TRANSPORTATION

PASSED: _____ 19__

DISTRICT ENGINEER OF LOCAL ROADS AND STREETS

APPROVED: _____ 19__

DISTRICT ENGINEER

CONTRACT 14-253-5F
 FLOOD CONTROL PROJECT ON
 MIDLOTHIAN CREEK IN ROBBIENS, CSA
 LITTLE CALUMET RIVER WATERSHED
 KEDZIE AVE 139TH ST TO 135TH ST
 SHEET 1

Sheet Number:
 R-011